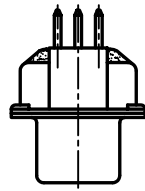
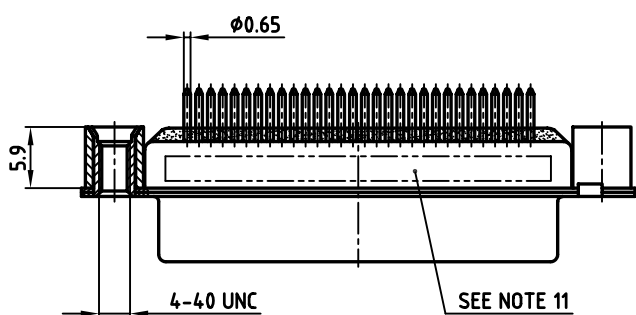
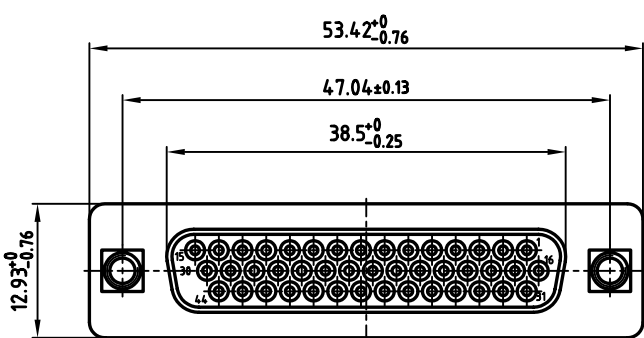
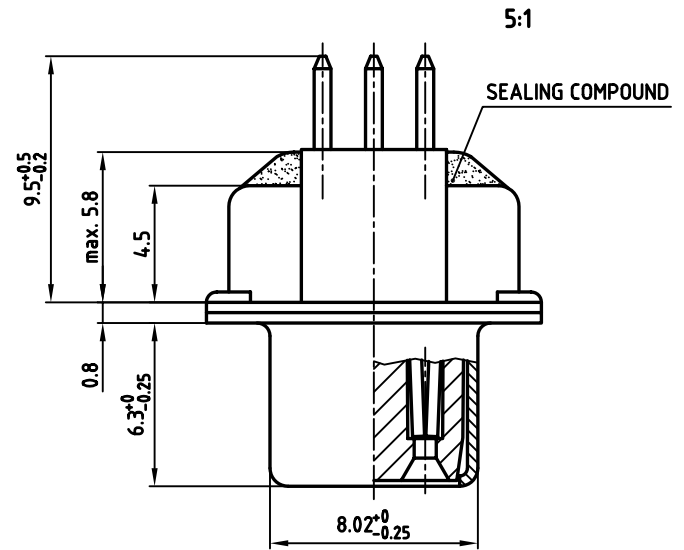


P.C.B. HOLE DRILLINGS

used for: D-SUB HD FILTER



- NOTES:**
- RoHS COMPLIANT
 - SUITABLE FOR WAVESOLDERING
 - METALSHELLS: STEEL; min. 315μ TIN over 40-80 μ NICKEL
 - INSULATORS: HIGH TEMPERATURE PLASTIC UL 94 V-0, BLACK
 - CONTACTS: COPPER ALLOY
PLATING MATING AREA: 8μ HARD GOLD OVER min. 50μ NICKEL
CONTACT TAILS PRETINNED
 - THREADED REAR SPACER: COPPER ALLOY; min. 200μ TIN over 80μ NICKEL
 - SLEEVE: COPPER ALLOY; min. 200μ TIN over 80μ NICKEL
 - CAPACITANCE: SEE TABLE
 - DIELECTRIC WITHSTANDING VOLTAGE: 300V DC
 - MAXIMUM TORQUE VALUE FOR THREAD: 6 in.LB
 - CONNECTOR IS PART MARKED: PART-NO. CONEC ABC

CAPACITANCE	PART NO.
180pF $\pm 20\%$	242A27520X
370pF $\pm 20\%$	242A18240X
830pF $\pm 20\%$	242A18280X



APPROVAL * FREIGABE * DEBLOCAGE * AUTORIZACION * APPROVAL

CUSTOMER APPROVAL DATE:

NAME: _____ TITLE: _____

COMPANY NAME: _____

APPROVAL * FREIGABE * DEBLOCAGE * AUTORIZACION * APPROVAL

THIS DRAWING MAY NOT BE COPIED OR REPRODUCED IN ANY WAY, AND MAY NOT BE PASSED ON TO A THIRD PARTY, WITHOUT WRITTEN PERMISSION.
 OWNERSHIP AND COPYRIGHT OF CONEC GmbH
 DO NOT ALTER CAD DRAWING BY HAND

tolerance		dim. in mm	scale: 2:1 (5:1)														
<table border="1"> <tr> <th>2003</th> <th>date</th> <th>name</th> </tr> <tr> <td>drawn</td> <td>16.09.</td> <td>Lehmenkühler</td> </tr> <tr> <td>appd.</td> <td>19.09.</td> <td>Mickenbecker</td> </tr> <tr> <td>norm</td> <td colspan="2">DIN 41652</td> </tr> <tr> <td>d-old</td> <td colspan="2"></td> </tr> </table>			2003	date	name	drawn	16.09.	Lehmenkühler	appd.	19.09.	Mickenbecker	norm	DIN 41652		d-old		
2003	date	name															
drawn	16.09.	Lehmenkühler															
appd.	19.09.	Mickenbecker															
norm	DIN 41652																
d-old																	
<table border="1"> <tr> <th>1 x b</th> <th>Ä 2521</th> <th>09.06.2006</th> <th>Lehmen</th> </tr> <tr> <td>a</td> <td>Origin</td> <td></td> <td></td> </tr> </table>			1 x b	Ä 2521	09.06.2006	Lehmen	a	Origin			title: D-SUB HD FILTER FEMALE 44pos. SOLDER PIN STRAIGHT with threaded rear spacer						
1 x b	Ä 2521	09.06.2006	Lehmen														
a	Origin																
			dwg no: AutoCAD 2006 24K1A443 part no: SEE TABLE														
rev. description date name			DIN-A 3 sh: 1/1														