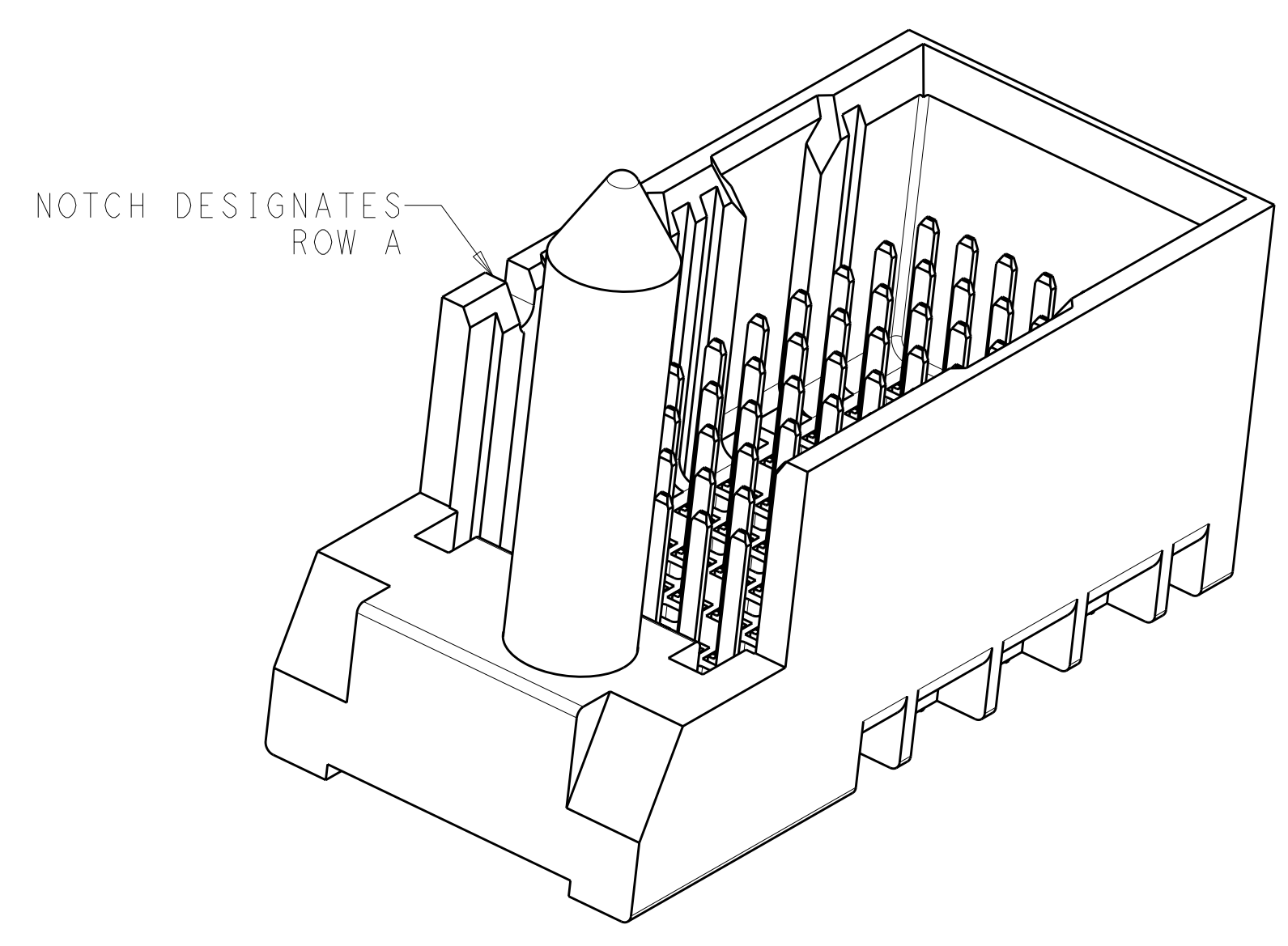
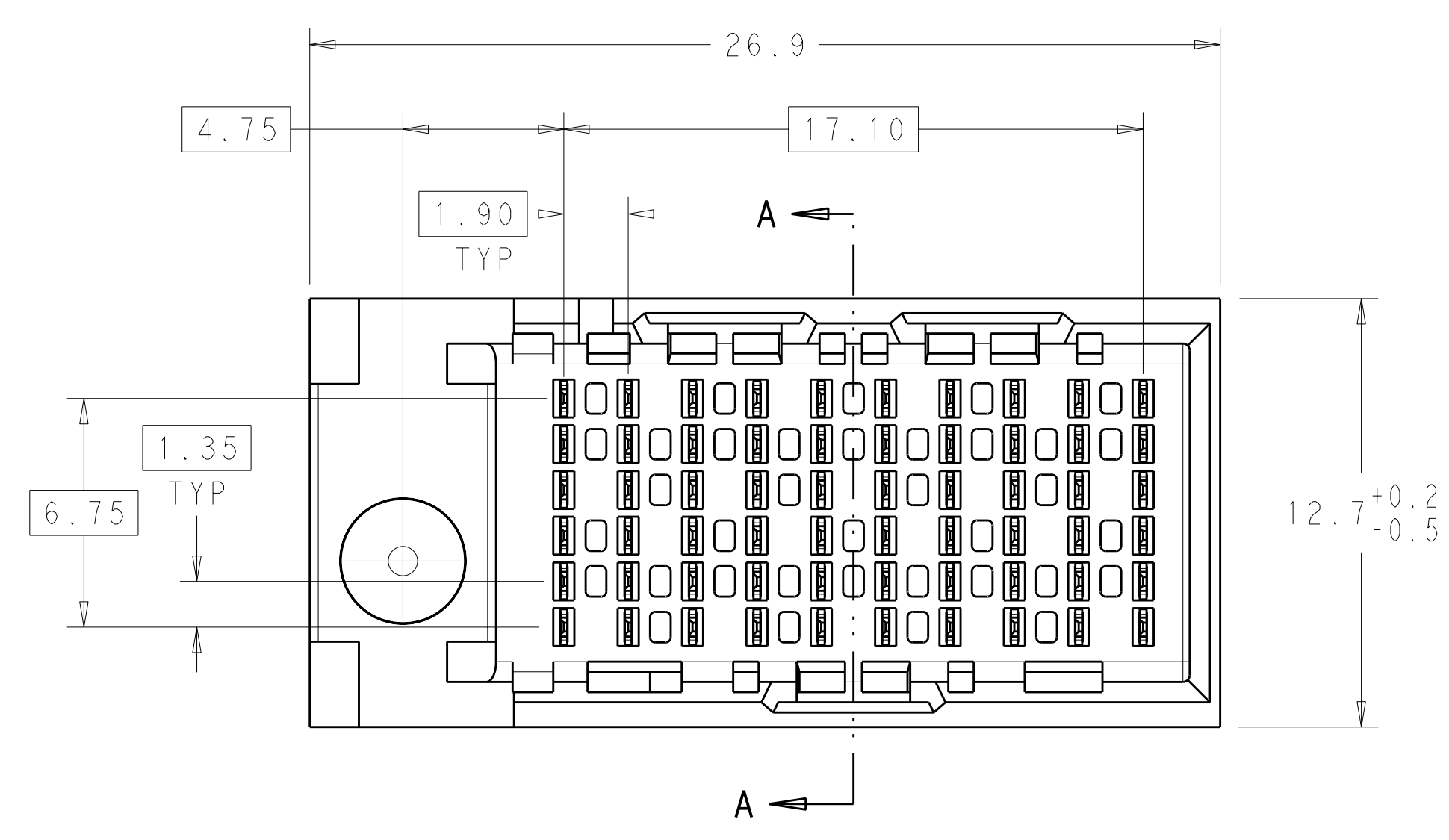
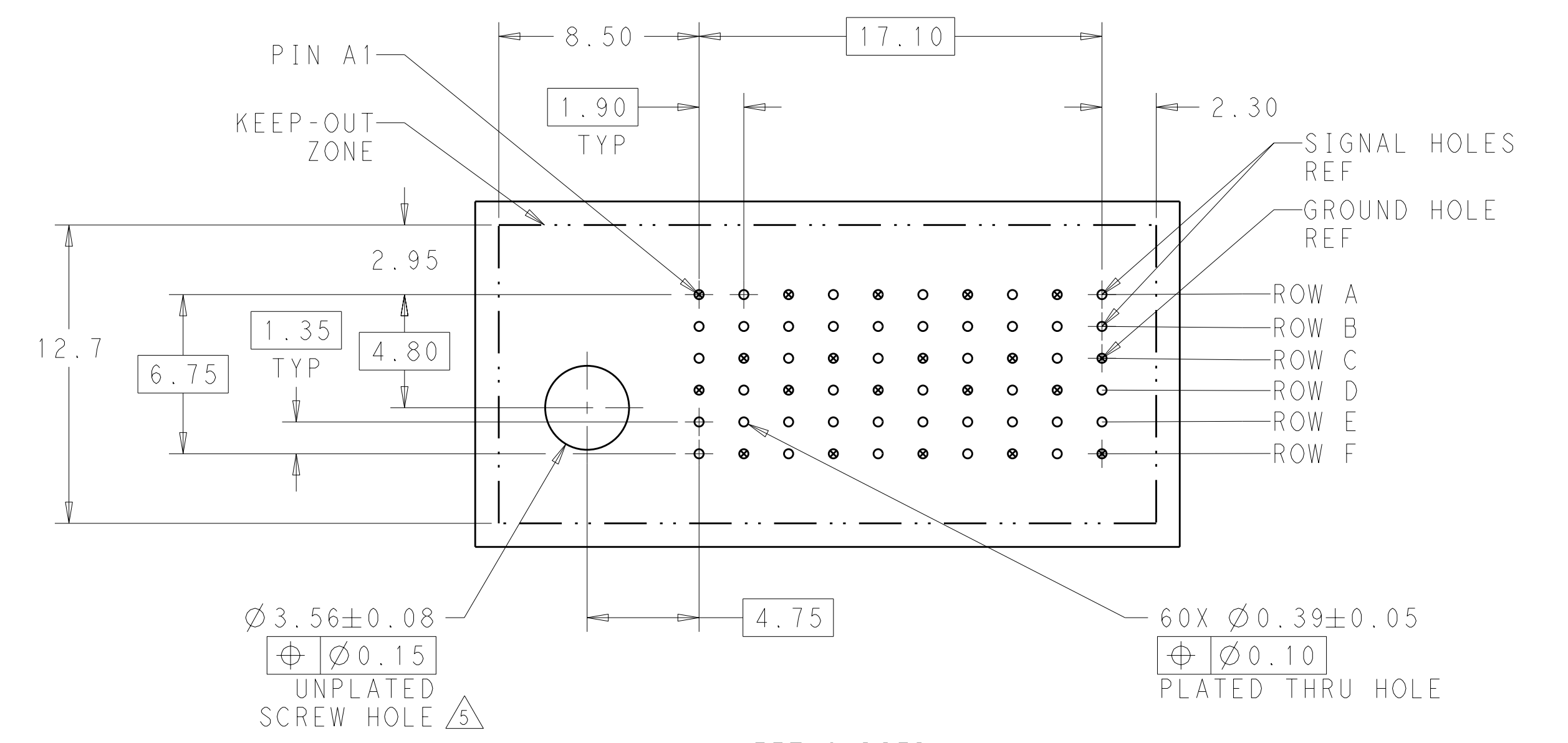


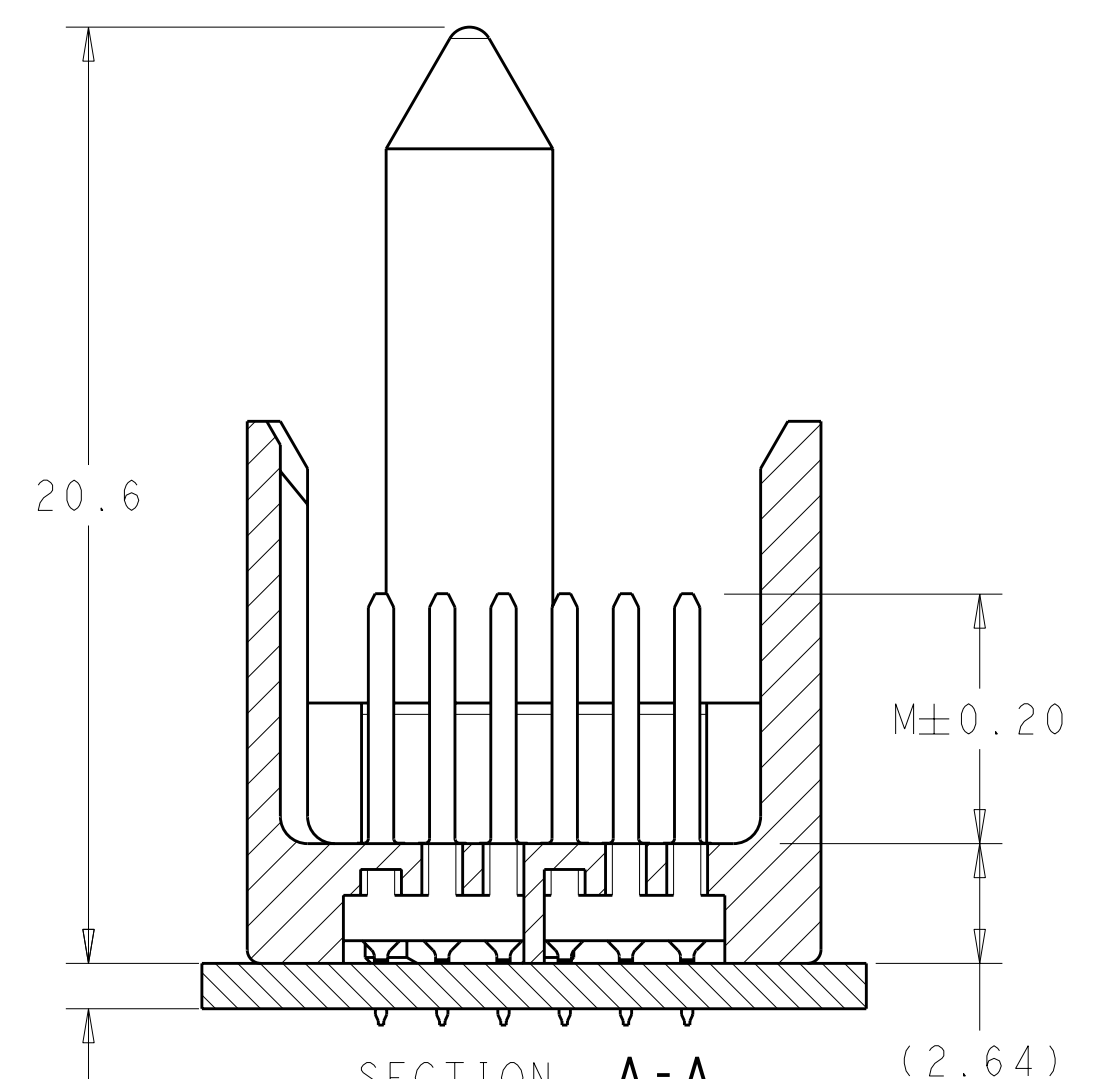
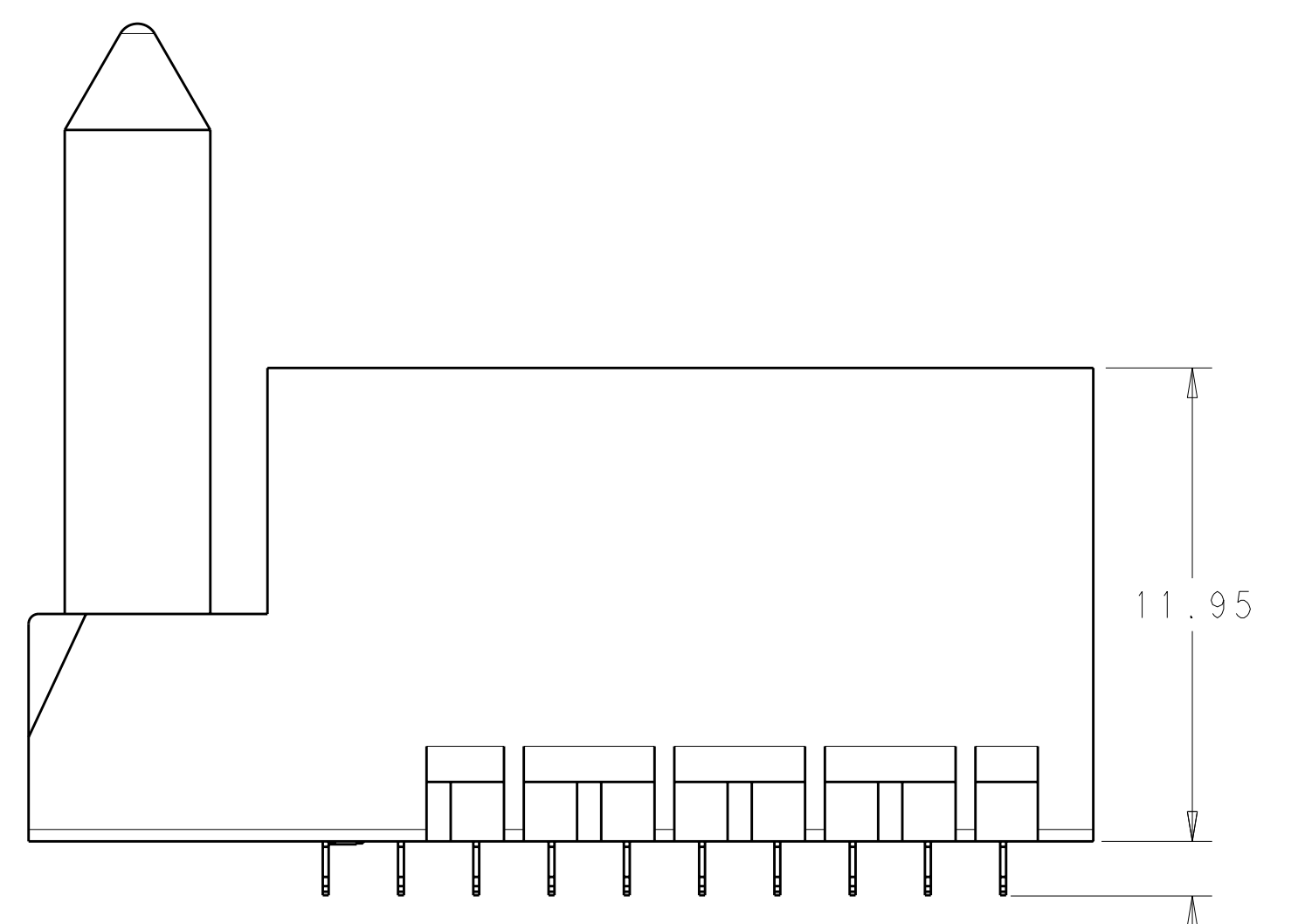
LOC	DIST	REV	DATE	BY	APPD
AD	00	B	04JAN12	KH	DY
REVISIONS			DESCRIPTION	DATE	DWN
			REVISD PER ECO-11-025276	04JAN12	KH



- 1 MATERIAL:
HOUSING: LCP, GLASS FILLED, UL94V-0.
TERMINALS: HIGH PERFORMANCE COPPER ALLOY.
- 2 FINISH:
30µ" MIN GOLD IN CONTACT AREA. SELECTIVE TIN
ON PCB TAILS, NICKEL OVERALL.
- 3 FINISH:
30µ" MIN GOLD IN CONTACT AREA. SELECTIVE TIN-LEAD
ON PCB TAILS, NICKEL OVERALL.
- 4. SCREWS PACKAGED IN END OF PACKAGING TUBE.
- 5 FOR GROUNDED GUIDE PIN USE Ø3.56±0.08 PTH,
Ø3.66 DRILL, AND Ø6.5 PAD.



LEFT GUIDED BACKPLANE HOLE PATTERN (CONNECTOR SIDE)



THIS DRAWING IS A CONTROLLED DOCUMENT.		DWN J. K. SHOBER 04JAN12	TE Connectivity
DIMENSIONS: mm		CHK J. EBY 04JAN12	
TOLERANCES UNLESS OTHERWISE SPECIFIED:		APVD J. EBY 04JAN12	NAME IMPACT, 2 PAIR, 10 COLUMN, HEADER
9 PLC ±0.25		PRODUCT SPEC	LEFT GUIDED, RIGHT END WALL
3 PLC ±0.13		APPLICATION SPEC	SIGNAL MODULE, 0.36 PTH
5 PLC ±0.13		SIZE CAGE CODE DRAWING NO	RESTRICTED TO
4 PLC ±0.13		WEIGHT	A1100779C=2057421
ANGLES ±0.13		CUSTOMER DRAWING	SCALE 6:1 SHEET 1 OF 2 REV B
FINISH SEE TABLE			

THIS DRAWING IS UNPUBLISHED. RELEASED FOR PUBLICATION 20
 © COPYRIGHT 20 . . . ALL RIGHTS RESERVED.

LOC	DIST	REVISIONS				
AD	00	P	LTB	DATE	DWN	APVD
		-	-	SEE SHEET 1	-	-

FINISH	DIM M	PART NUMBER
\triangle_3	5.5	2057421-6
\triangle_3	4.9	2057421-5
\triangle_3	4.5	2057421-4
\triangle_2	5.5	2057421-3
\triangle_2	4.9	2057421-2
\triangle_2	4.5	2057421-1

REFER TO WWW.TE.COM
FOR PRODUCT AVAILABILITY

THIS DRAWING IS A CONTROLLED DOCUMENT.		DWN J. K. SHOBER 04JAN12	TE Connectivity	
DIMENSIONS: mm		CHK J. EABY 04JAN12	NAME IMPACT, 2 PAIR, 10 COLUMN, HEADER LEFT GUIDED, RIGHT END WALL SIGNAL MODULE, 0.36 PTH	
TOLERANCES UNLESS OTHERWISE SPECIFIED: 9 PLC ± 1 PLC ±0.25 2 PLC ±0.13 3 PLC ± 4 PLC ± ANGLES ± FINISH SEE TABLE		APVD J. EABY 04JAN12	PRODUCT SPEC APPLICATION SPEC RESTRICTED TO	
MATERIAL -	WEIGHT -	SIZE A100779	DRAWING NO C=2057421	SCALE 5:1
CUSTOMER DRAWING		SHEET 2 OF 2		REV B