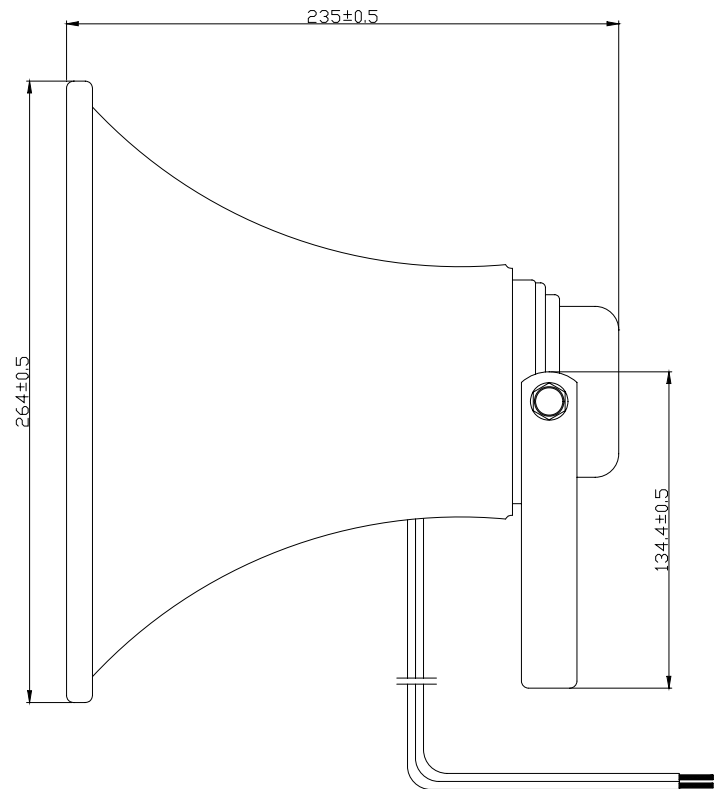
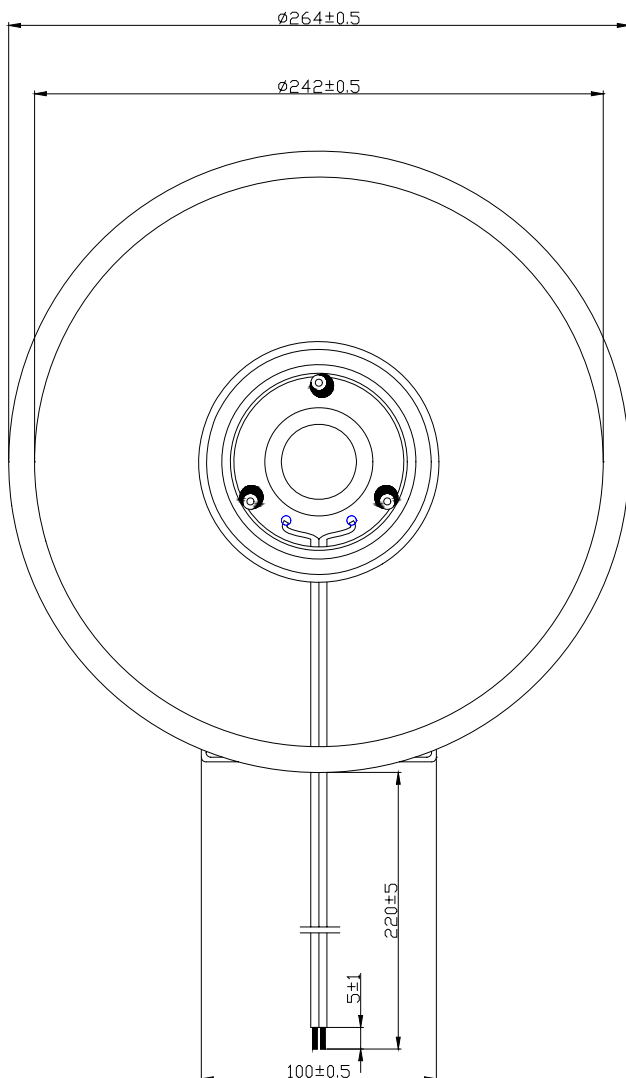


**Specifications:**

Resonant Frequency (Hz)	500 ~ 7000
Impedance ( $\Omega$ )	$8 \pm 2$
Input Power (Watts RMS)	25
Operating Temperature ( $^{\circ}\text{C}$ )	-20 ~ +70
Storage Temperature ( $^{\circ}\text{C}$ )	-30 ~ +80
Housing	Aluminum (Color: Gray)
Leading Wire	20 AWG
Weight (Grams)	962.8
Locations	For indoor/outdoor use (No Salt environment)
Options	For other options contact factory

**Dimensions:** (units: mm)**ROHS Compliant**

### Frequency Response:

