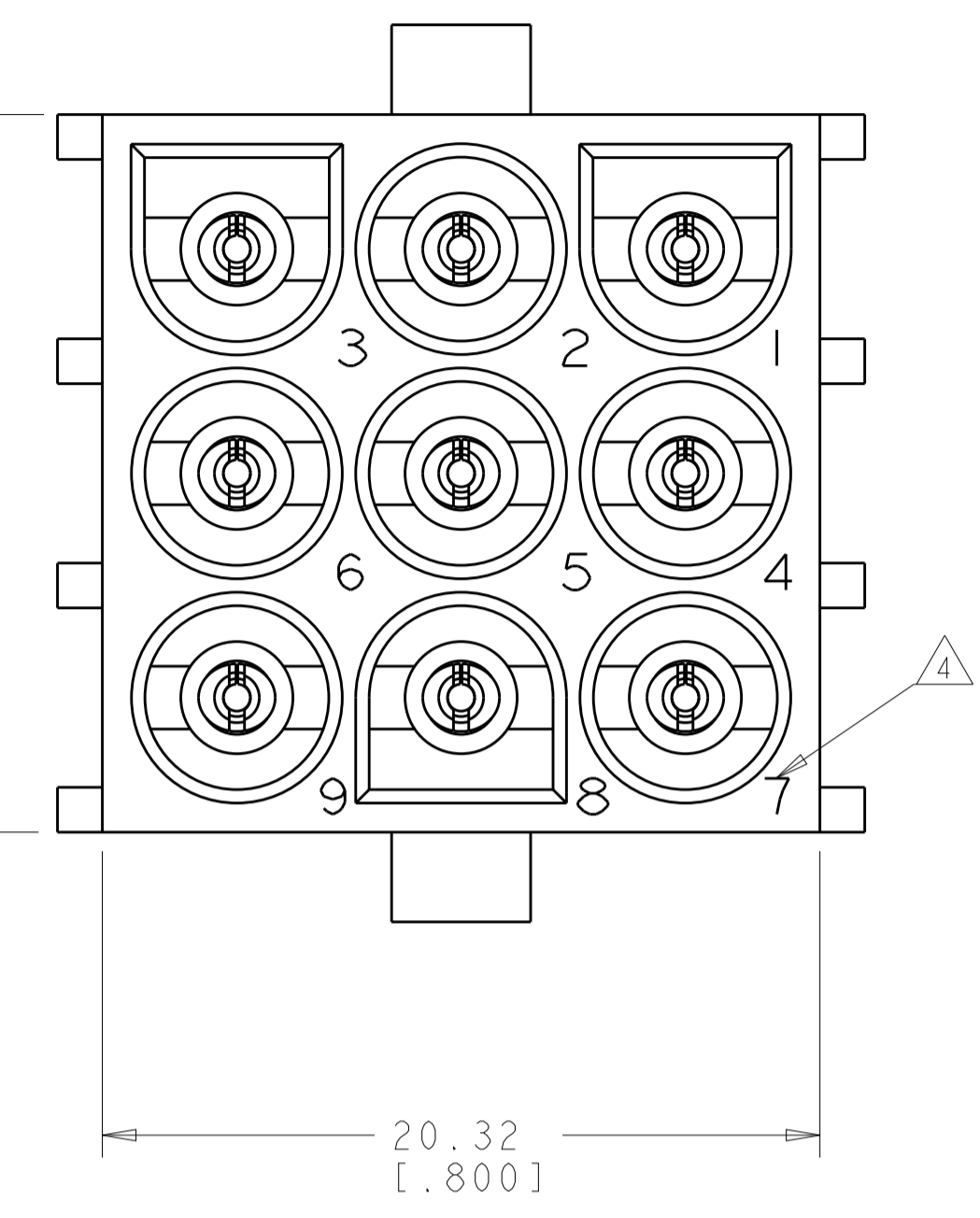
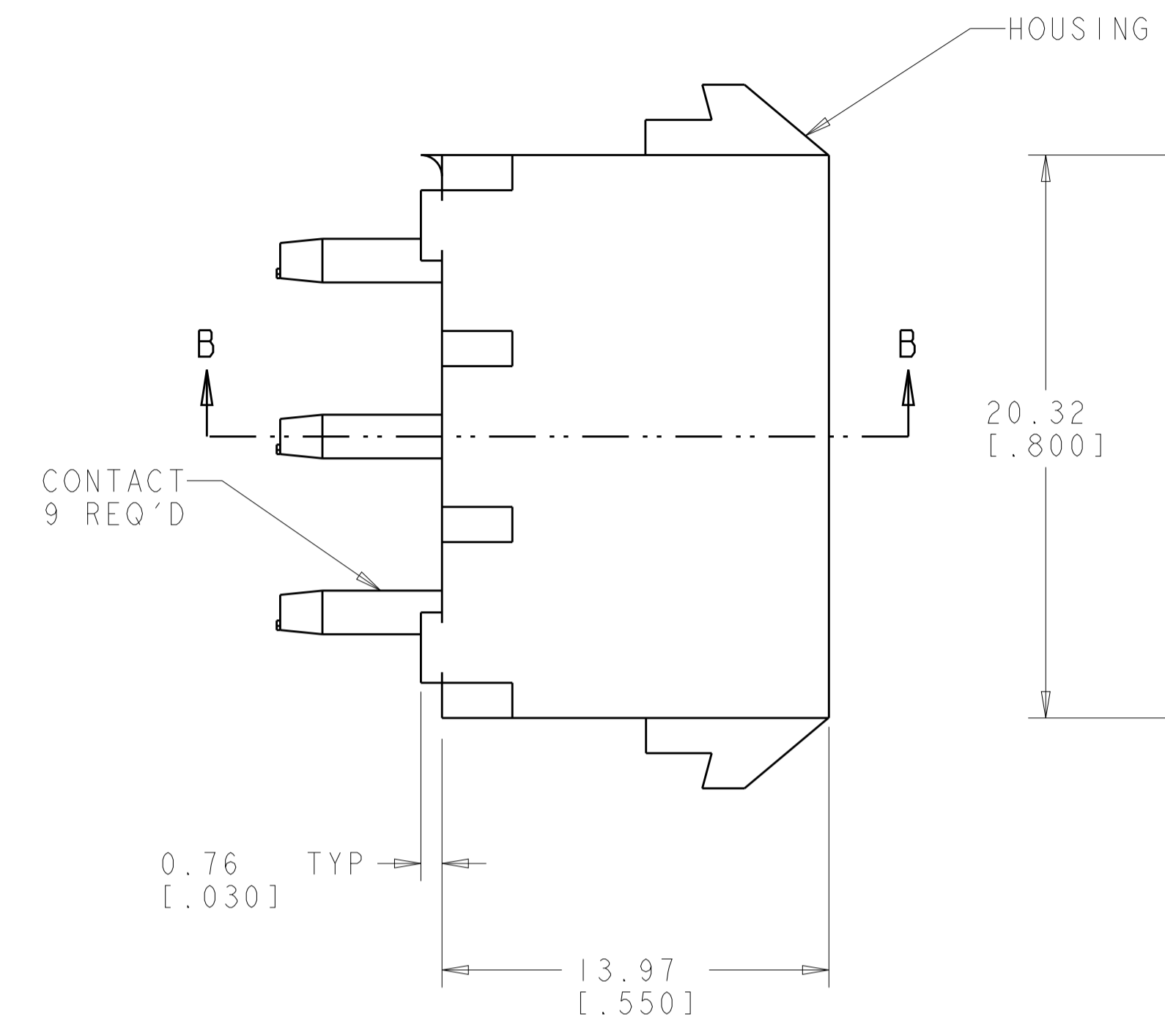
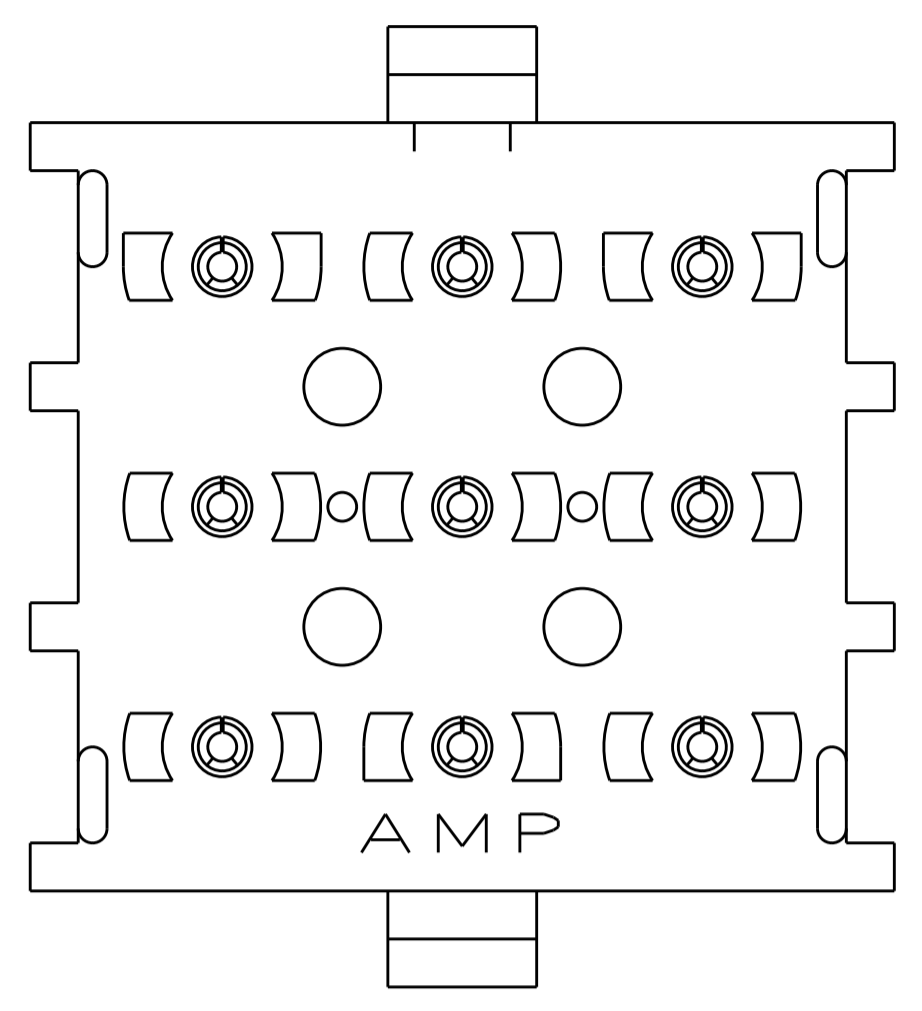
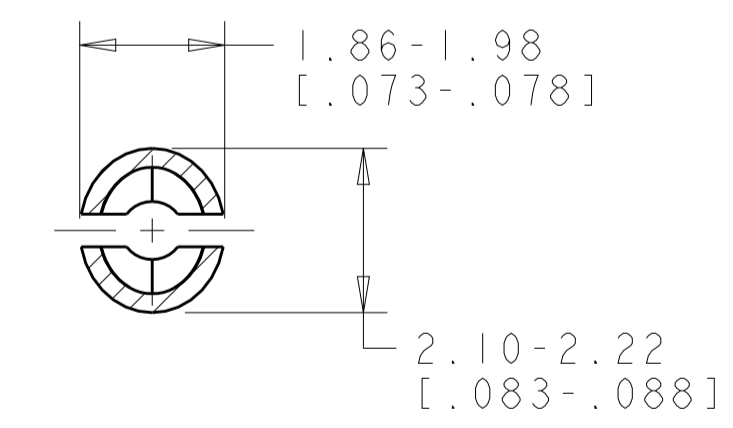
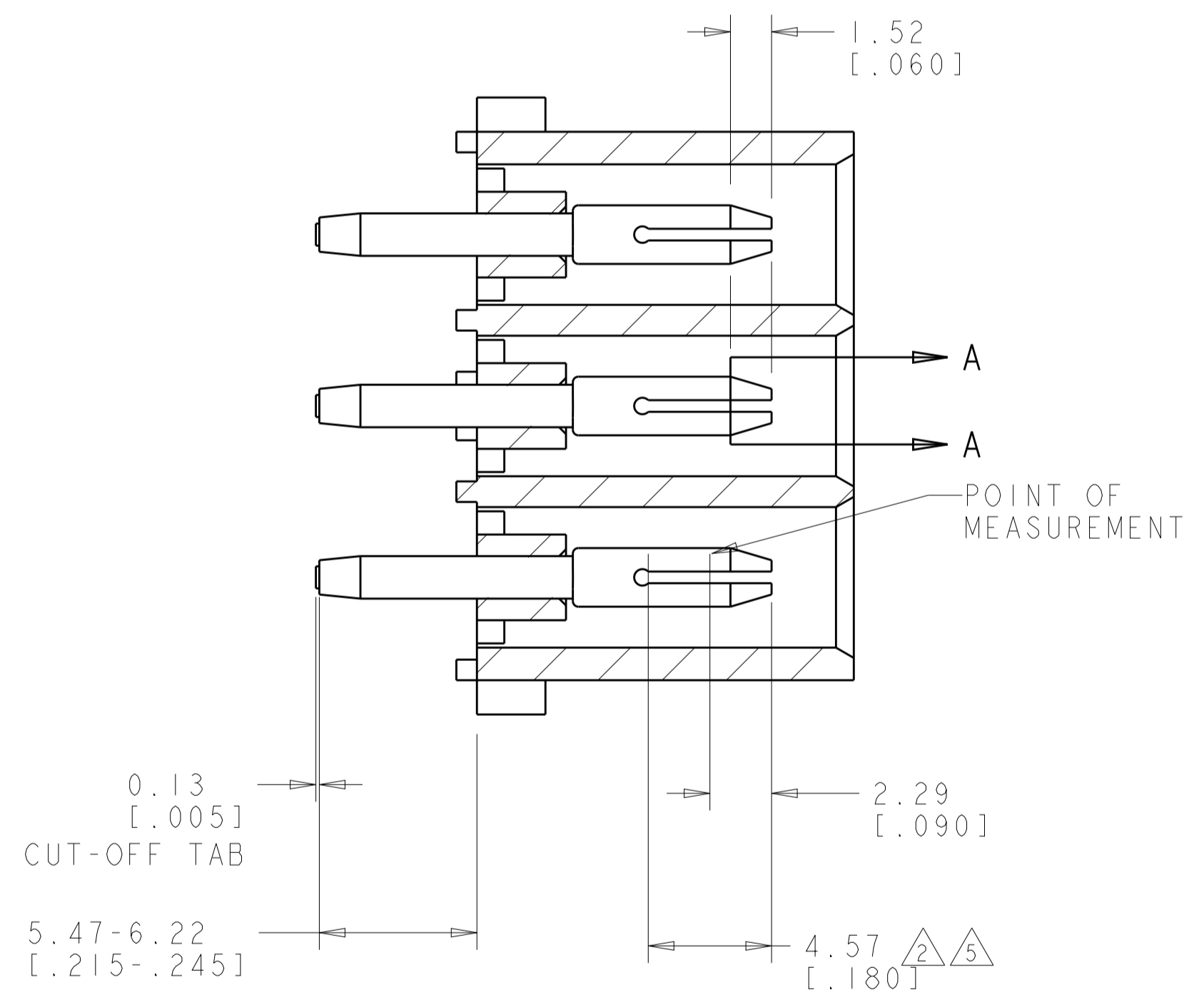


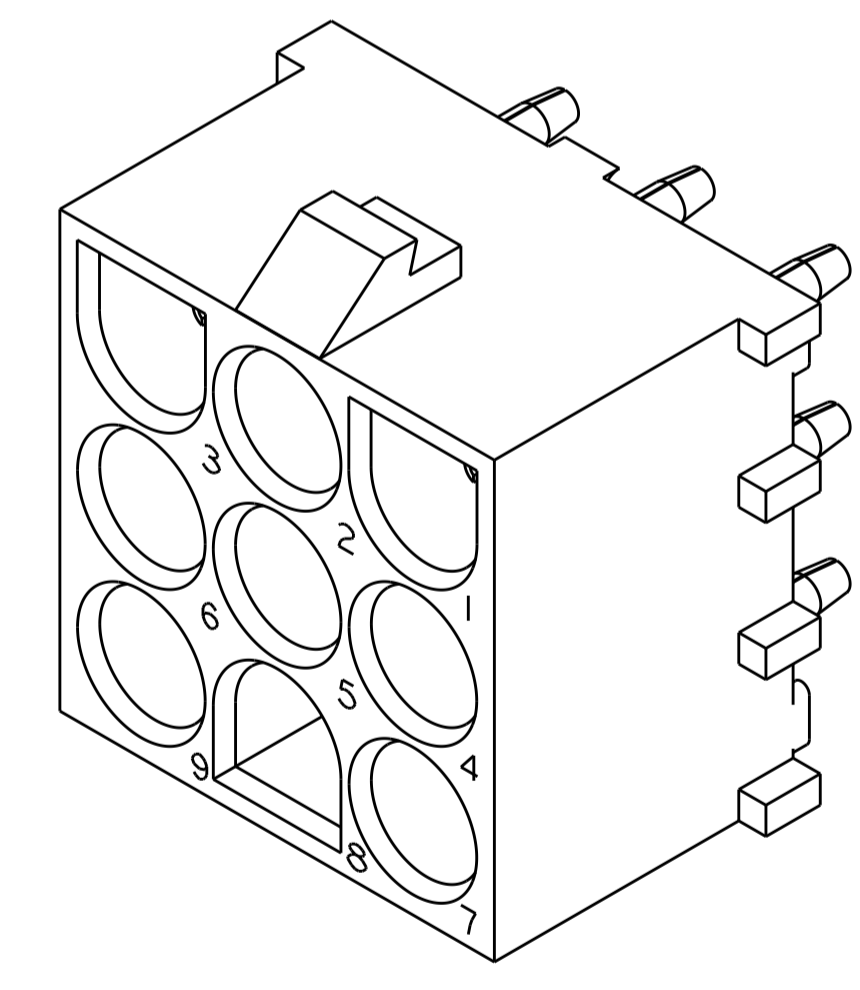
LOC	DIST	REVISIONS			
P	LTN	DESCRIPTION	DATE	DWN	APVD
P1		REVISED PER ECR-12-011660	04FEB2013	KH	TM



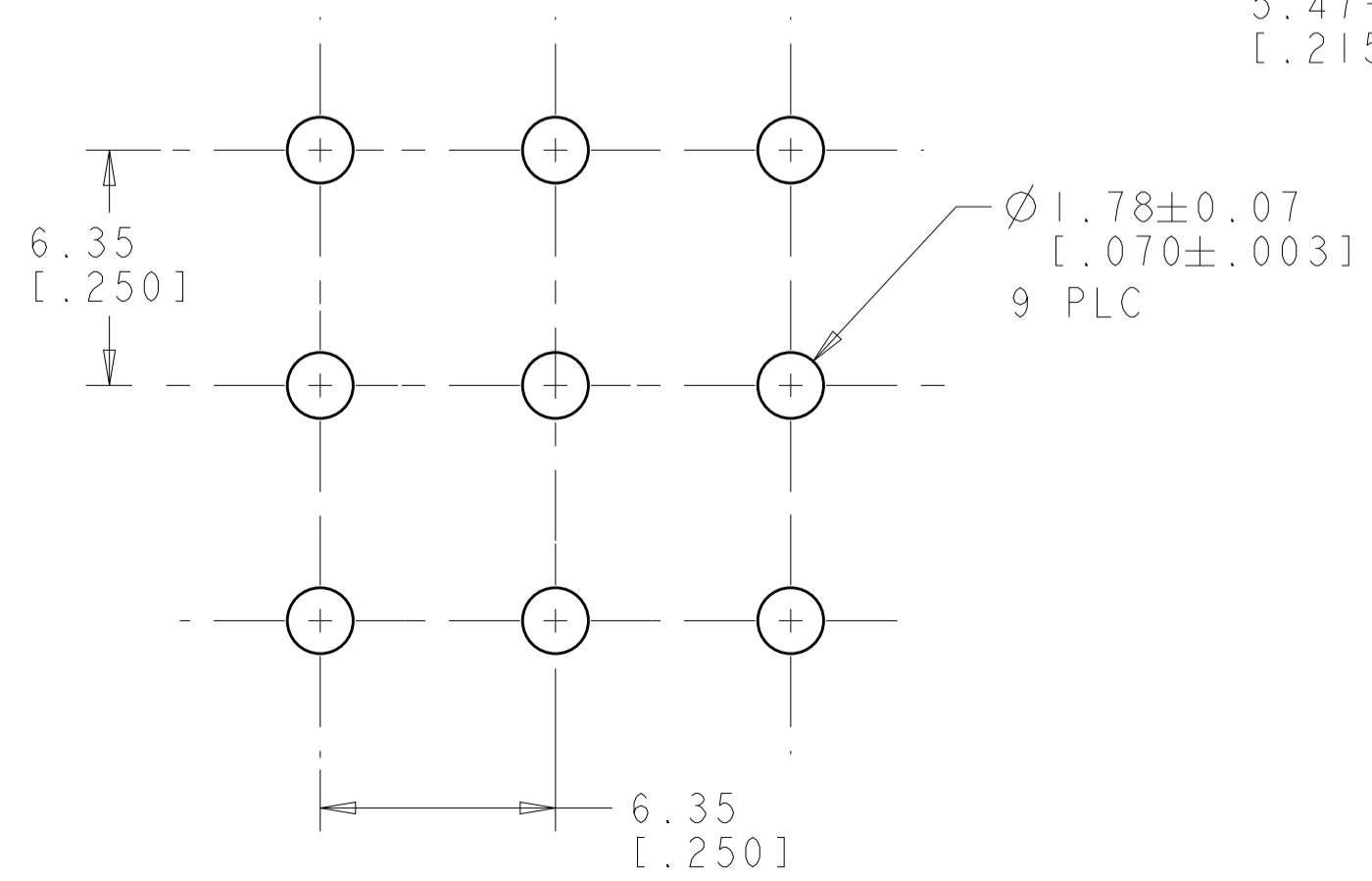
1. PARTS COMPLY TO AMP SOLDERABILITY SPECIFICATION 109-11-3.
2. CONTACT IS PLATED OVERALL WITH 0.00127 [.000050] NICKEL, THEN 0.00076 [.000030] GOLD OVER CONTACT LENGTH INDICATED AND TIN LEAD ON SOLDER TAIL END.
3. MATES WITH HOUSING 350720.
4. CIRCUIT IDENTIFICATION CHARACTERS ARE ADJACENT TO THE INDICATED CAVITIES, BUT LOCATION AND ORIENTATION MAY DIFFER FROM PRINT.
5. CONTACT IS PLATED OVERALL WITH 0.00127 [.000050] NICKEL, THEN 0.00076 [.000030] GOLD OVER CONTACT LENGTH INDICATED AND MATTE TIN ON SOLDER TAIL END.
6. DIMENSIONS IN BRACKETS ARE IN INCHES.
7. SUPERSEDED BY 350742-4



SECTION A-A  
SCALE 10:1



3 DIMENSIONAL MODEL  
SCALE 4:1



RECOMMENDED MOUNTING HOLE PATTERN  
FOR 1.57 [.062] THICK P.C. BOARD

PHOSPOR BRONZE, GOLD	NYLON, UL94V-0, NATURAL	350742-4
PHOSPOR BRONZE, GOLD	NYLON, UL94V-0, NATURAL	350742-2
PHOSPOR BRONZE, PRE-TIN	NYLON, UL94V-0, NATURAL	350742-1
PIN CONTACT MATERIAL AND FINISH	HOUSING MATERIAL AND COLOR	PART NUMBER

THIS DRAWING IS A CONTROLLED DOCUMENT.		DWN: R. WHITAKER 05OCT2005	TE Connectivity
DIMENSIONS: mm [INCHES]		CHK: S. RIDGILL 05OCT2005	
TOLERANCES UNLESS OTHERWISE SPECIFIED:		APVD: S. RIDGILL 05OCT2005	NAME: PIN HEADER ASSEMBLY, 9 CIRCUIT, LONG TAIL, UNIVERSAL MATE-N-LOK(TM)
0 PLC ±	1 PLC ±0.13(.005)	PRODUCT SPEC	SIZE: A1
3 PLC ±	4 PLC ±	APPLICATION SPEC	CAGE CODE: 350742
ANGLES ±40°/30°	FINISH SEE TABLE	WEIGHT	RESTRICTED TO
MATERIAL SEE TABLE	SEE TABLE	CUSTOMER DRAWING	SCALE: 1:1 SHEET 1 OF 1 REV: P1