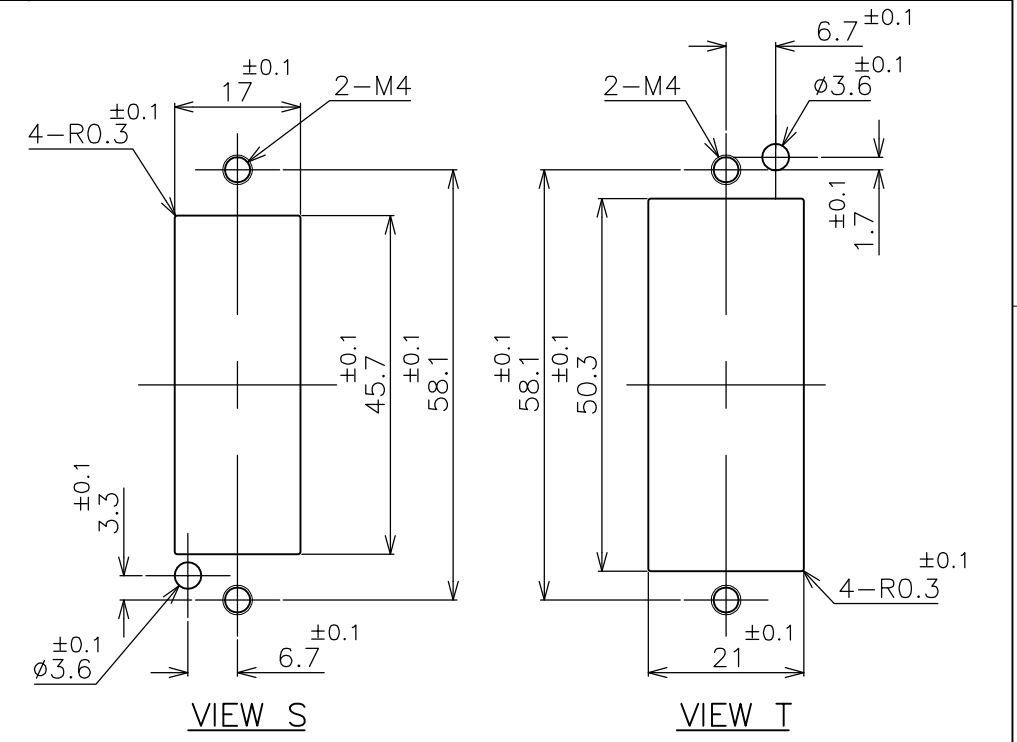
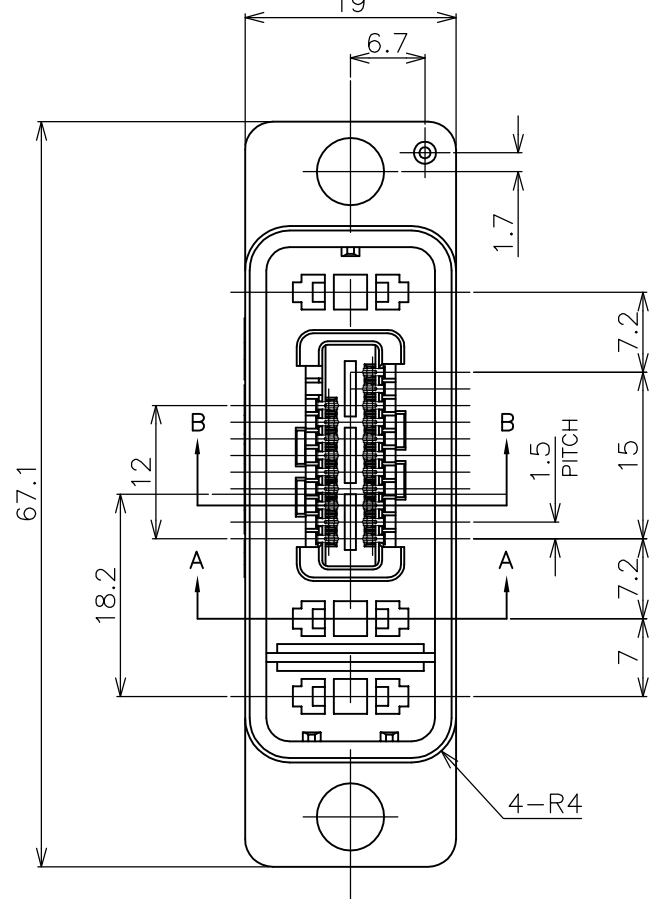
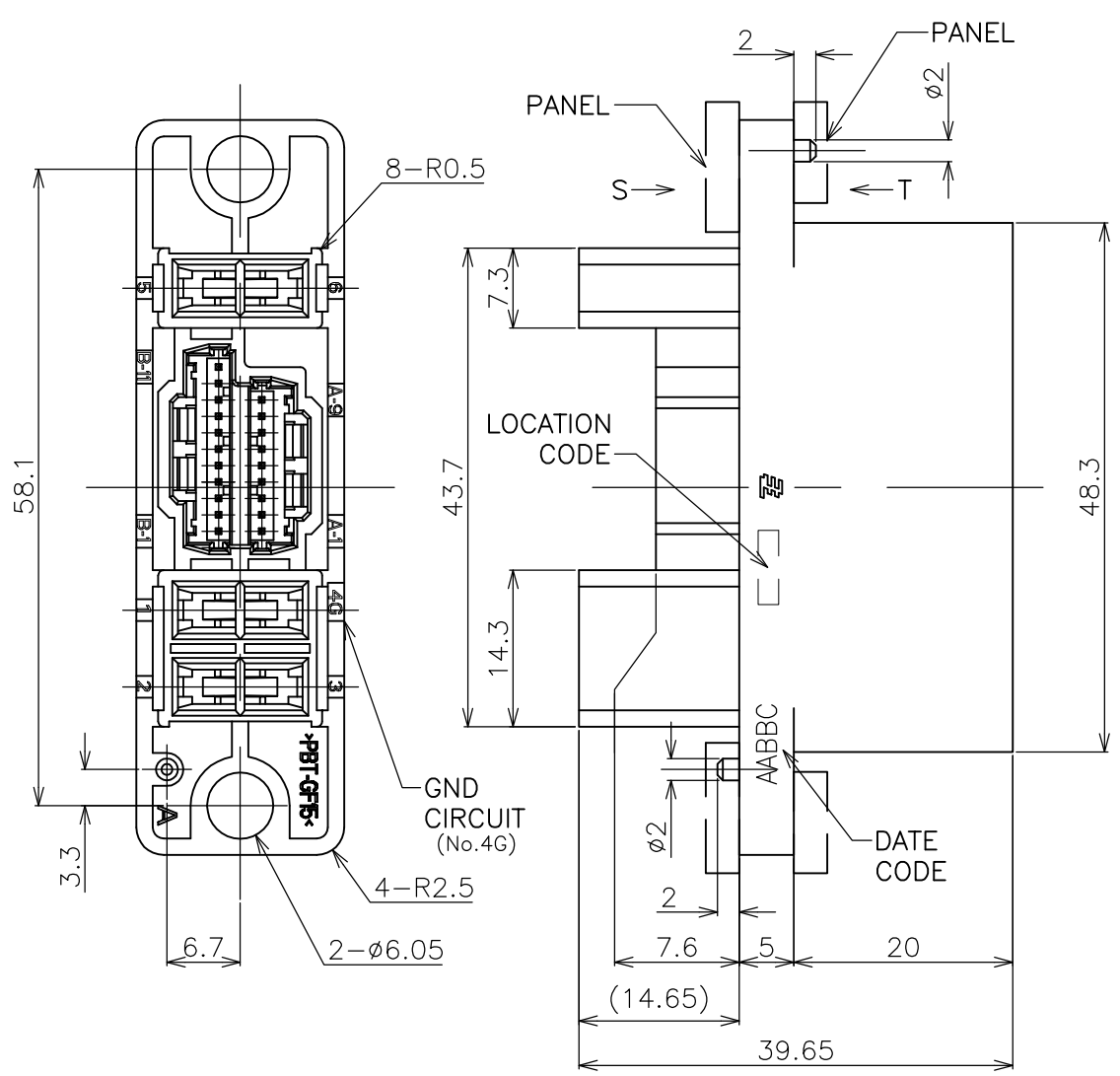


LOC		DIST		REVISIONS		
J		-		変更		
P	LTR	DESCRIPTION	DATE	DWN	APVD	
B		RELEASED ECR-10-010197	17JUN11	T.Q	S.Y	



PANEL CUT DIMENSIONS (CONNECTOR MATING SIDE)

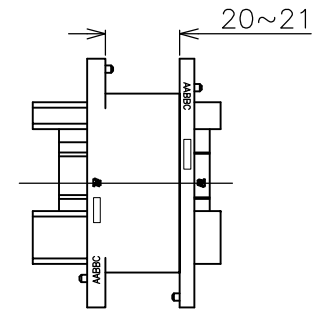
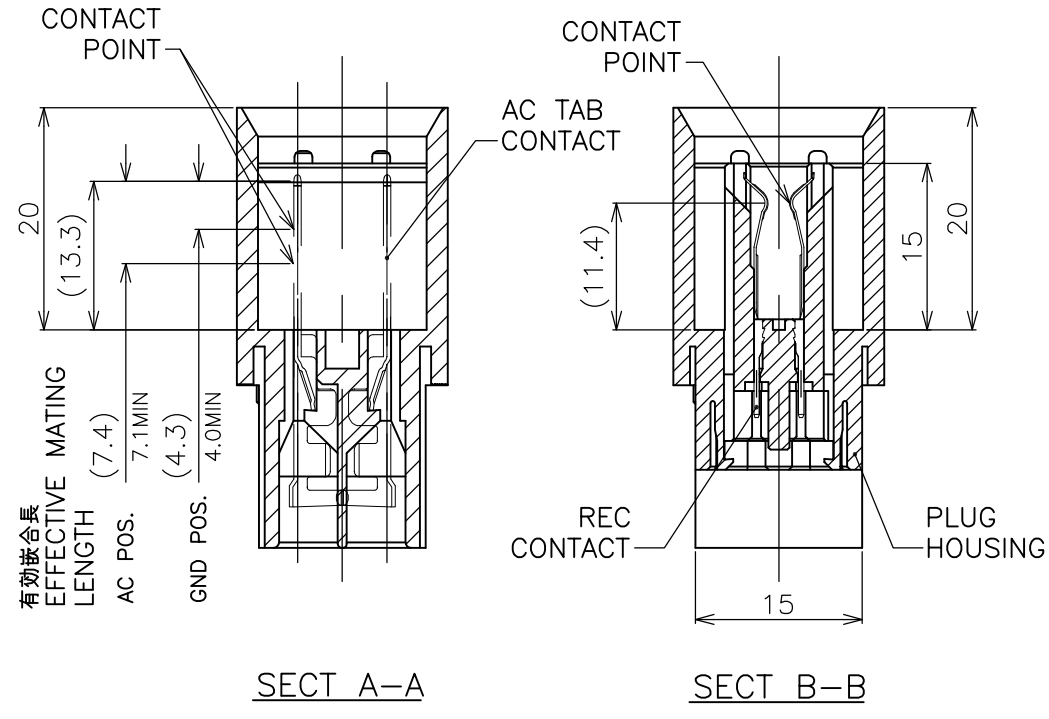
NOTE:
 1. USE WITH MT REC CONN P/N: X-353293-X
 CRIMP HSG P/N: X-353908-X
 CRIMP CNT P/N: 353907-1
 353918-1(L/P)

2. APPLICABLE POWER CONTACT P/N

FINISH	AWG	STRIP
GOLD PL. & TIN-LEAD PL.	#16-20	0-179321-2
GOLD PL. & TIN PL.	#20-24	0-179322-2
GOLD PL. & TIN PL.	#16-20	0-179321-3
GOLD PL. & TIN PL.	#20-24	0-179322-3
ALL TIN PL.	#16-20	1-179321-2
ALL TIN PL.	#20-24	1-179322-2

- △ MATERIAL;
 HOUSING : PBT G.F. UL94V-0 COLOR:BLACK
 SIGNAL CONTACT : PHOSPHOR BRONZE
- △ CONTACT FINISH;
 DRAWER CONTACT AREA : NICKEL PL. ALL OVER GOLD PL.
 POST AREA : NICKEL PL. ALL OVER TIN PL.
- △ P : NUMBER OF POWER CONTACT (UNASSEMBLED)
 S : NUMBER OF SIGNAL CONTACT (ASSEMBLED)
- 6. COUNTER MATING CONNECTOR P/N : 2-1674755-0
- 7 FLOATING DIMENSION : ±1.0 MAX
 (INCLUDE THE AMOUNT OF AXIAL GAPS)
- △ GENERAL TOLERANCE
 10 ≥ : ±0.2
 30 ≥ >10 : ±0.25
 100 ≥ >30 : ±0.3
 ANGLES : ±3°

6-20	2-1674754-0
極数 POS. (P-S)	型番 P/N



パネル間寸法 DIMENSION BETWEEN PANELS

THIS DRAWING IS A CONTROLLED DOCUMENT.

DWN	H.HOSHINO	10MAR03
CHK	T.KUSUHARA	10MAR03
APVD	H.MURAMATSU	10MAR03
PRODUCT SPEC	製品規格	108-5882
APPLICATION SPEC	取付適用規格	
MATERIAL	材料	
FINISH	仕上	
WEIGHT	23.1g	
CUSTOMER DRAWING		

TE Connectivity

PLUG ASSEMBLY
 MINI CT HYBRID DRAWER CONNECTOR
 AC6DC20 TYPE

SIZE	CAGE CODE	DRAWING NO	RESTRICTED TO
A3	00779	C-1674754	
SCALE	尺度	NON	
SHEET	1	OF 1	REV B