

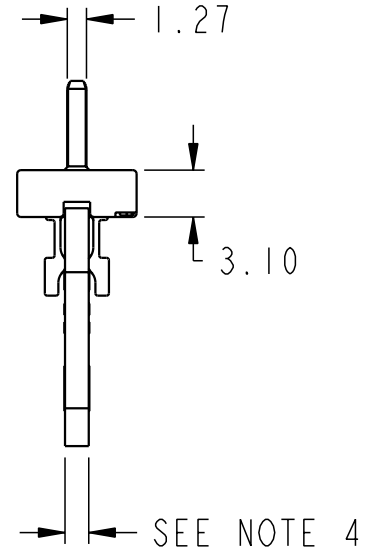
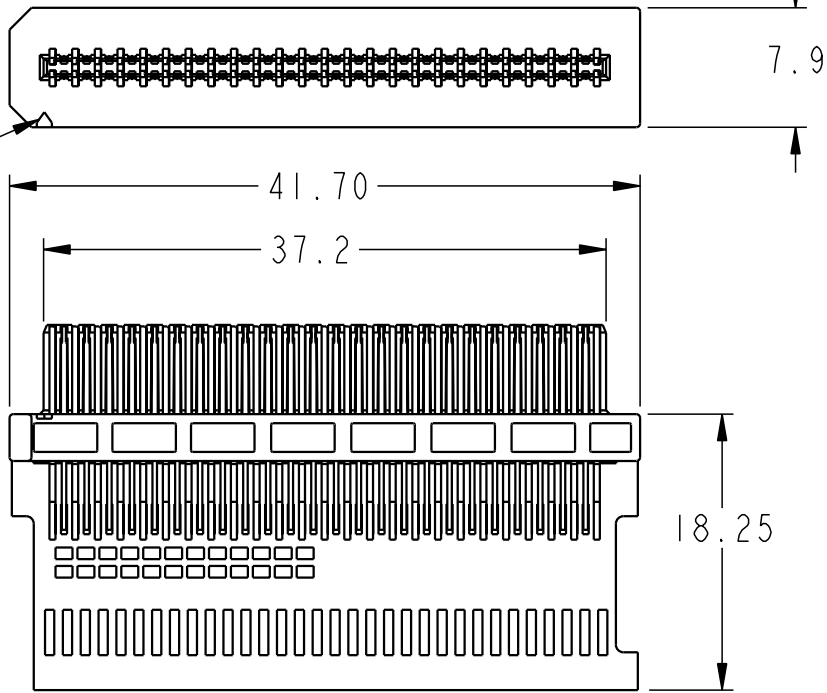
Tous droits strictement réservés. Reproduction ou communication à des tiers interdite sous quelque forme que ce soit sans autorisation écrite du propriétaire. Propriété de c FCI. Droits de reproduction FCI.



All rights strictly reserved. Reproduction or issue to third parties in any form whatever is not permitted without written authority from the proprietor. Property of FCI. Copyright FCI.

PRODUCT NUMBER  
SEE TABLE

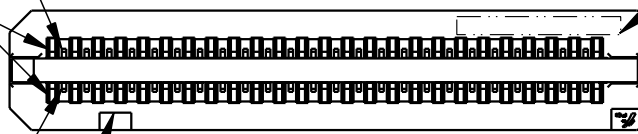
POSITION 1  
INDICATOR MARK



SIGNAL POSITION 1  
GROUND POSITION 1

DATE CODE PRINTED  
IN THIS AREA.

SIGNAL POSITION 2  
KEYING FEATURE



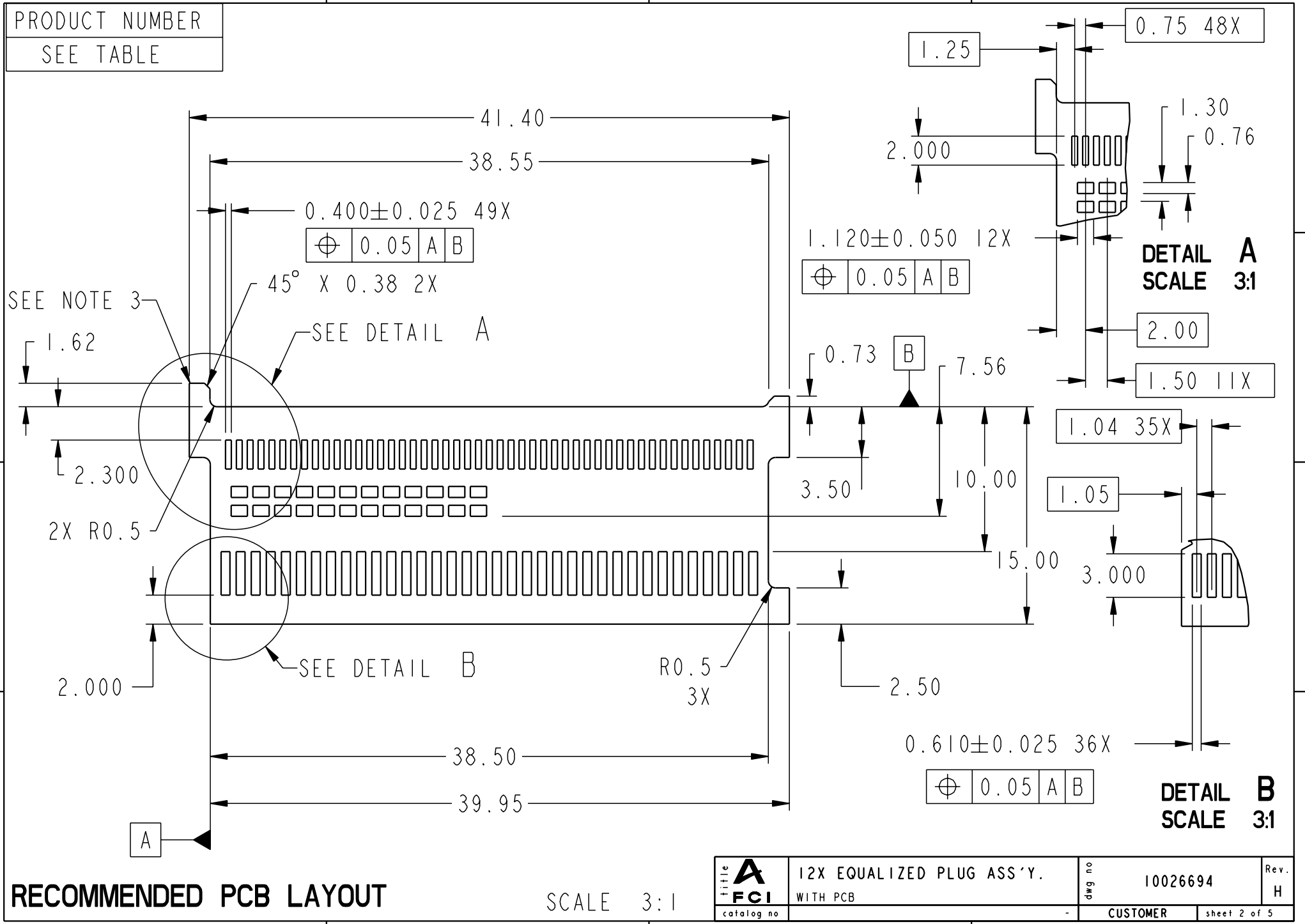
rev	ecn no	dr	date
B	V03-0796	GIP	07/21/03
C	V03-0931	GIP	08/26/03
D	V03-1098	DAI	10/15/03
E	V04-0008	DAI	01/28/04
F	V04-0484	DAI	06/08/04
G	V05-0064	TAB	03/03/05
H	V05-0528	DAI	07/01/05

www.fciconnect.com		surface <input checked="" type="checkbox"/> ASME Y14.5	tolerance ASME Y14.5	projection	MM
Dr	G.PETERS	06/02/03	Product family	EYEMAX(tm)	size A4
Eng	D.BRANN	06/02/03	Spec ref	-	Scale 1:1
Chr	G.PETERS	06/02/03	Material	SEE NOTES	ECN V05-0528
Appr	D.BRANN	06/02/03			
title			12X EQUALIZED PLUG ASS'Y. WITH PCB		Rev. H
catalog no			-		dwg no 10026694
			CUSTOMER		sheet 1 of 5

Tous droits strictement réservés. Reproduction ou communication à des tiers interdite sous quelque forme que ce soit sans autorisation écrite du propriétaire. Propriété de FCI. Droits de reproduction FCI.

**A**  
FCI

All rights strictly reserved. Reproduction or issue to third parties in any form whatever is not permitted without written authority from the proprietor. Property of FCI. Copyright FCI.



1

2

3

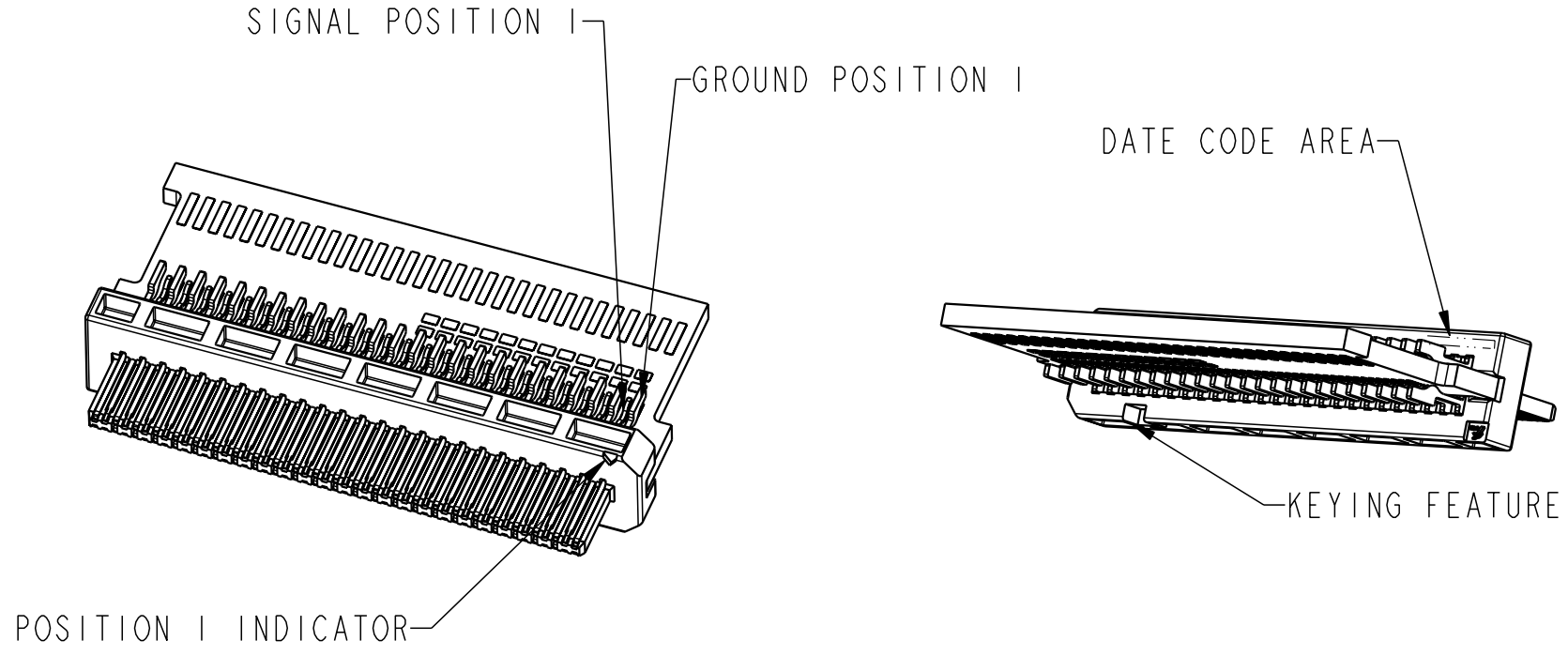
4

PRODUCT NUMBER
SEE TABLE

Tous droits strictement reserves. Reproduction ou communication a des tiers interdite sous quelque forme que ce soit sans autorisation ecrite du proprietaire. Propriete de c FCI. Droits de reproduction FCI.



All rights strictly reserved. Reproduction or issue to third parties in any form whatever is not permitted without written authority from the proprietor. Property of FCI. Copyright FCI.



A

B

C

D

title	12X EQUALIZED PLUG ASS'Y.		dwg no	10026694	Rev.	H
	WITH PCB					
catalog no			-	CUSTOMER	sheet 3 of 5	

PDM: Rev:H

STATUS: Released

4 Printed: Jul 22, 2010

NOTES:

- ① MATERIAL:  
HOUSING: HIGH TEMPERATURE THERMOPLASTIC  
UL 94V-0 RATED, SUITABLE FOR REFLOW SOLDER.  
CONTACTS: COPPER ALLOY WITH GOLD OVER NICKEL PLATING  
IN THE CONTACT AREA AND TIN/LEAD PLATING ON  
THE SOLDER TAIL UNLESS THE PART NUMBER ENDS IN LF,  
LEAD FREE SOLDER TAIL PLATING 2um (80u") MIN MATTE TIN OVER  
1.27um (50u") MIN NICKEL UNDERPLATE
- 2. PRODUCT SPECIFICATION GS-12-209
- 3. APPLICATION SPECIFICATION: GS-20-026 FOR PADDLE CARD AND CABLE  
TERMINATION DETAILS. FOR EASE OF WIRE MANAGEMENT, A P1 ASSEMBLY IS  
RECOMMENDED ON ONE END OF THE CABLE AND A P2 ASSEMBLY ON THE  
OTHER END.
- ④ PACKAGING SPECIFICATION GS-14-794.  
PACKAGING OF LEAD FREE PRODUCTS MEETS LABELING AND PACKAGING SPECIFICATION GS-14-920.
- 5. MATES WITH LATCH-STYLE RECEPTACLE 58366 OR 58367, OR THUMBSCREW  
RECEPTACLE 10009626.
- 6. PLUGS ARE ALSO AVAILABLE WITHOUT PCB 58443 OR WITH UNEQUALIZED PCB 58638.
- 7. PLUG CAN BE PURCHASED AS PART OF A KIT THAT INCLUDES THE BACKSHELLS AND  
CABLE COLLARS. 58442 FOR LATCH-STYLE PLUG KITS OR 10014004 FOR THUMBSCREW  
PLUG KITS.
- ⑧ IF LEAD FREE PART NUMBER, THE HOUSING WILL WITHSTAND EXPOSURE TO 260°C PEAK TEMPERATURE FOR  
10 SECONDS IN A WAVE SOLDER APPLICATION WITH A 1.60mm MIN. THICK CIRCUIT BOARD.
- ⑨ LEAD FREE PRODUCTS MEET EUROPEAN UNION DIRECTIVES AND OTHER COUNTRY REGULATIONS AS DESCRIBED  
IN GS-22-008.

PCB NOTES:

- 1. PADS ON BOTH SIDES OF PCB.
- 2. DIMENSIONS APPLY TO BOTH SIDES OF  
PCB LOCATED FROM DATUMS A & B.
- 3. EXTENSIONS SHOULD NOT BE USED  
TO LOCATE SOLDER TAILS TO SOLDER PADS,  
ONLY AS AID IN ASSEMBLY BY LIMITING TOP TO  
BOTTOM MOVEMENT OF THE PCB.
- ④ PCB THICKNESS: 1.57mm (.062").

Tous droits strictement reserves. Reproduction ou  
communication a des tiers interdite sous quelque  
forme que ce soit sans autorisation écrite du propriétaire.  
Propriete de c FCI. Droits de reproduction FCI.



All rights strictly reserved. Reproduction  
or issue to third parties in any form  
whatever is not permitted without written  
authority from the proprietor.  
Property of FCI. Copyright FCI.

title	12X EQUALIZED PLUG ASS'Y.		dwg no	10026694	Rev.	H
	WITH PCB					
catalog no			-	CUSTOMER	sheet 4 of 5	

A  
B  
C  
D

Tous droits strictement reserves. Reproduction ou communication a des tiers interdite sous quelque forme que ce soit sans autorisation écrite du propriétaire. Propriete de c FCI. Droits de reproduction FCI.



All rights strictly reserved. Reproduction or issue to third parties in any form whatever is not permitted without written authority from the proprietor. Property of FCI. Copyright FCI.

* PRODUCT NUMBER	DESCRIPTION
10026694-001	EQUALIZED P1 PLUG ASSEMBLY WITHOUT COMPONENTS
10026694-002	EQUALIZED P1 PLUG ASSEMBLY WITH COMPONENTS
10026694-006	EQUALIZED P1 PLUG ASSEMBLY-CUSTOMER SPECIAL
10026694-101	EQUALIZED P2 PLUG ASSEMBLY WITHOUT COMPONENTS
10026694-102	EQUALIZED P2 PLUG ASSEMBLY WITH COMPONENTS
10026694-106	EQUALIZED P2 PLUG ASSEMBLY-CUSTOMER SPECIAL

\*ADD LF TO END OF PART NUMBER FOR LEAD FREE SOLDER TAILS  
 EXAMPLE: 10026694-001LF, SEE NOTES 1, 4, 8 AND 9

title	12X EQUALIZED PLUG ASS'Y. WITH PCB	dwg no	10026694	Rev.	H
catalog no	-	CUSTOMER	sheet 5 of 5		

A  
B  
C  
D