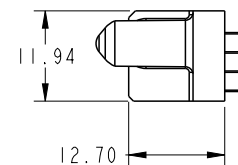
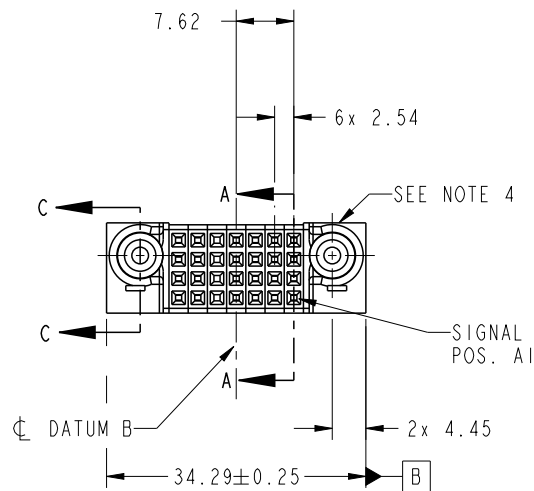


PRODUCT NO.	ROWS	SIGNAL									
		E2	7	6	5	4	3	2	1	E1	
51940-520-- NOTE: 3	D		E	X	E	E	E	E	E	E	
	C		E	X	E	E	E	E	E		
	B		E	X	E	E	E	E	E		
	A		E	X	E	E	E	E	E		



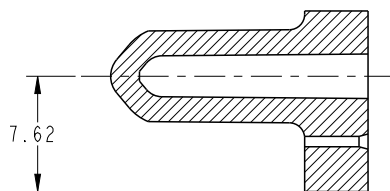
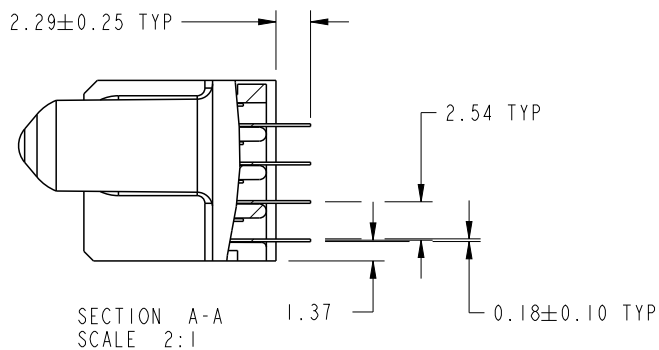
CODE	DIM "M" MATING LENGTH	CONTACT TYPE
E	[N/A]	SIGNAL
X	OMITTED	

spec ref	*	dr	Ruan MT	2013/12/23	projection	MM	size	A4	scale	1:1	
tolerance std	TOLERANCES UNLESS OTHERWISE SPECIFIED	eng	Luo Weller	2014/01/07			ecn no	-			
SEE NOTE		chr	-	-				product family	PwrBlade	rel level	Released
surface <input checked="" type="checkbox"/>		appr	Pei-Ming Zheng	2014/01/07		www.fci.com			title	28S	dwg no
linear	0.X	±0.5	cat. no.	Product - Customer Drw	sheet 1 of 4						
	0.XX	±0.25									
	0.XXX	±0.1									
angular	0°	±2°									

PrdE File - REV C - 2009-06-09

PRODUCT NUMBER

51940-520__
NOTE: 3



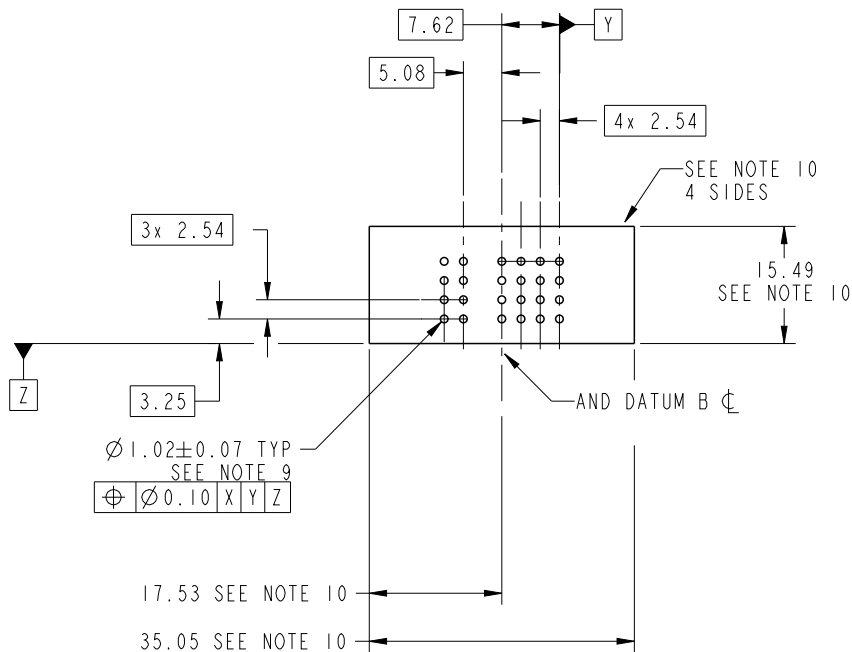
dr	Ruan MT	2013/12/23	projection 	MM 	size	A4	scale	1:1
eng	Luo Weller	2014/01/07			ecn no	-		
chr	-	-			rel level	Released		
appr	Pei-Ming Zheng	2014/01/07	product family	PwrBlade	rev	A		
	title	28S VERTICAL SOLDER RECEPT		dwg no	51940-520			
www.fci.com	cat. no.	*	Product - Customer Drw	sheet 2 of 4				



Copyright FCI.

PRODUCT NUMBER

51940-520__
NOTE: 3



RECOMMENDED PCB LAYOUT

dr	Ruan MT	2013/12/23	projection 	MM 	size	A4	scale	1:1	
eng	Luo Weller	2014/01/07			ecn no	-			
chr	-	-			rel level	Released			
appr	Pei-Ming Zheng	2014/01/07	product family	PwrBlade					
		title	28S VERTICAL SOLDER RECEPT		dwg no	51940-520		rev	A
www.fci.com		cat. no.	*	Product - Customer Drw			sheet 3 of 4		

PRODUCT NUMBER

51940-520__
NOTE: 3

NOTES:

1. DIMENSIONS AND TOLERANCES ARE IN ACCORDANCE WITH ASME Y14.5M, 1994 UNLESS OTHERWISE SPECIFIED.

CONNECTOR NOTES:

- 2 HOUSING MATERIAL: UL 94 V-0 GLASS FILLED HIGH-TEMP THERMOPLASTIC
POWER CONTACT MATERIAL: COPPER ALLOY
SIGNAL PIN MATERIAL: COPPER ALLOY
- 3. SEE ITEM 5 & 6 IN PRINT 10064183 FOR PLATING SPEC OF 51940-520 AND 51940-520LF RESPECTIVELY.
- 4 MANUFACTURER'S NAME, DATE CODE AND OPTIONAL P/N TO APPEAR ON THIS SURFACE. THE MARK CAN BE OMITTED IF THERE IS NOT ENOUGH SPACE ON THIS SURFACE.
- 5. PRODUCT SPECIFICATION GS-12-149.
APPLICATION SPECIFICATION BUS-20-067.
- 6. PACKAGED IN TRAYS.
- PCB NOTES:
- 7. ALL HOLE DIAMETERS ARE FINISHED HOLE SIZE.
- 8 MOUNTING HOLES, WHERE APPLICABLE, ARE UNPLATED.
- 9 $\varnothing 1.151 \pm 0.025$ DRILLED HOLES PLATED WITH
0.008 MIN SnPb OR Sn OVER 0.03
TO 0.08 Cu PLATING TO ACHIEVE
 $\varnothing 1.02 \pm 0.07$ HOLE.
- 10 CONNECTOR KEEP-OUT ZONE.
- 11. THE VOID CORING IN BETWEEN POWER MODULES, SIGNAL MODULES AND END MODULES ARE OPTIONAL AND THE SHAPE MAY BE DIFFERENT FOR OPTIMIZE THE MOLDING PROCESS. THE VOID CORING WILL NOT EFFECT TO PRODUCT FUNCTION.



Copyright FCI.

dr	Ruan MT	2013/12/23	projection 	MM 	size	A4	scale	1:1
eng	Luo Weller	2014/01/07			ecn no	-		
chr	-	-			rel level	Released		
appr	Pei-Ming Zheng	2014/01/07	product family	PwrBlade	rev	A		
	title	28S VERTICAL SOLDER RECEPT		dwg no	51940-520			
www.fci.com	cat. no.	*	Product - Customer Drw		sheet 4 of 4			