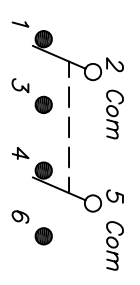


RECOMMENDED PANEL MOUNTING

PANEL THICKNESS

* DIMENSION IS 15.75/15.88
 ▲ FOR PANEL THICKNESS BETWEEN
 1.52mm TD 3.18mm

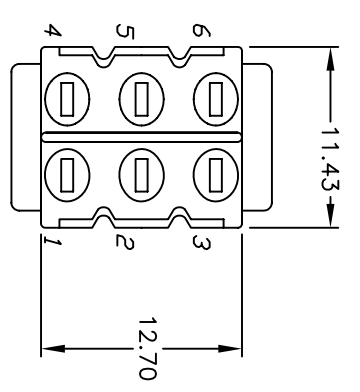
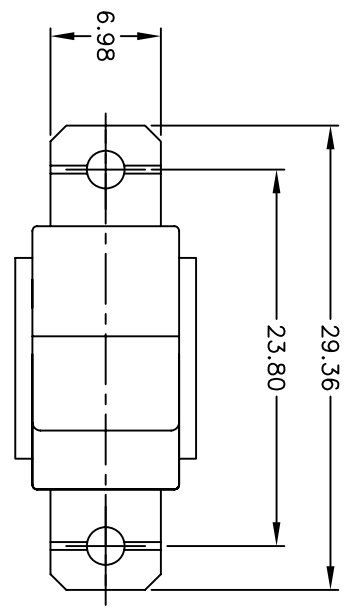


SWITCH FUNCTION		
PDS. 1	PDS. 2	PDS. 3
DN	DIFF	DN
2-3-5-6	OPEN	2-1-5-4

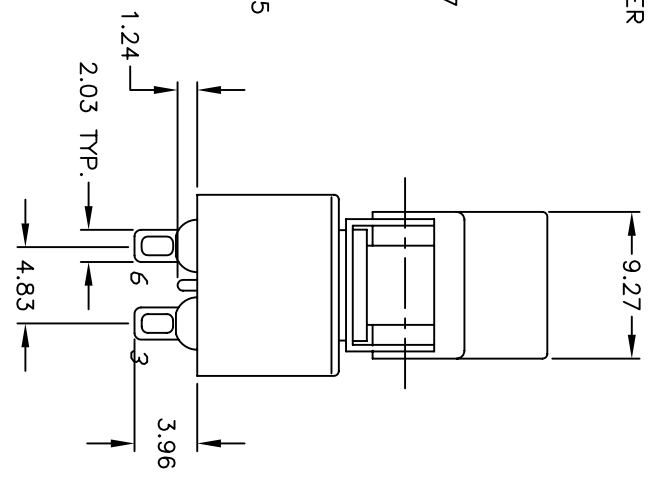
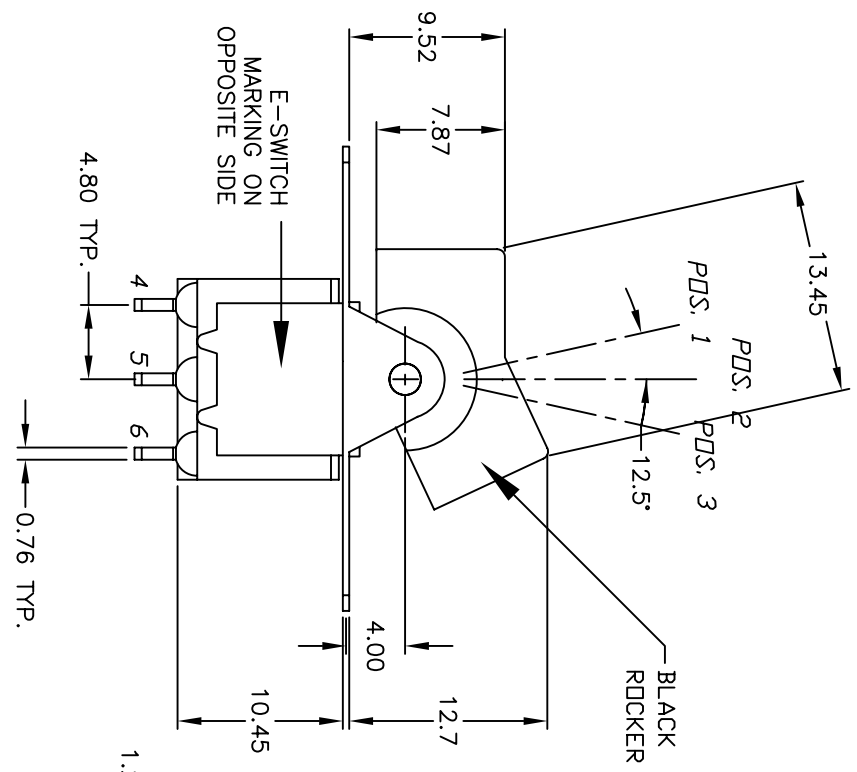
() = MOMENTARY

NOTES:

1. ALL DIMENSIONS IN MM [INCH]
2. GENERAL TOLERANCE: X.X=±0.4 X.XX=±0.25
3. TERM. NOS. FOR REF. ONLY
4. RATING: 5A @120VAC OR 28VDC 2A @250VAC
5. MATERIAL: FIXED TERMINAL & MOVING CONTACT
Copper Alloy w/Silver Plate
6. CONTACT RESISTANCE: 10mILLI Ohms max initial @2-4VDC, 100mA for AG & AU
7. ELECTRICAL LIFE: 50,000 make-and-break cycles at full load.
8. INSULATION RESISTANCE: 1,000M ohm min.
9. DIELECTRIC STRENGTH: 1000V RMS @sed level
10. OPERATING TEMP.: -30°C to 85°C
- ▲ 11. NO EPOXY SEAL.
- ▲ 12. ▲ DENOTES CRITICAL PARAMETER.



BOTTOM VIEW
 BRACKET CROPPED
 FOR CLARITY



REV.	ECN No.	DESCRIPTION	DATE	CHKD
B	17979	Removed EPOXY from Desc	2/20/08	rc
A	12975	RELEASED FOR PRODUCTION	3/28/03	AR

TITLE		SCALE	DATE	DR	DWG	REV
300DPSR1BLKMIQE		2:1	3/28/03	AR	T328002	B

THE INFORMATION CONTAINED IN THIS DOCUMENT IS PROPRIETARY TO E-SWITCH AND IS NOT TO BE COPIED OR TRANSFERRED

