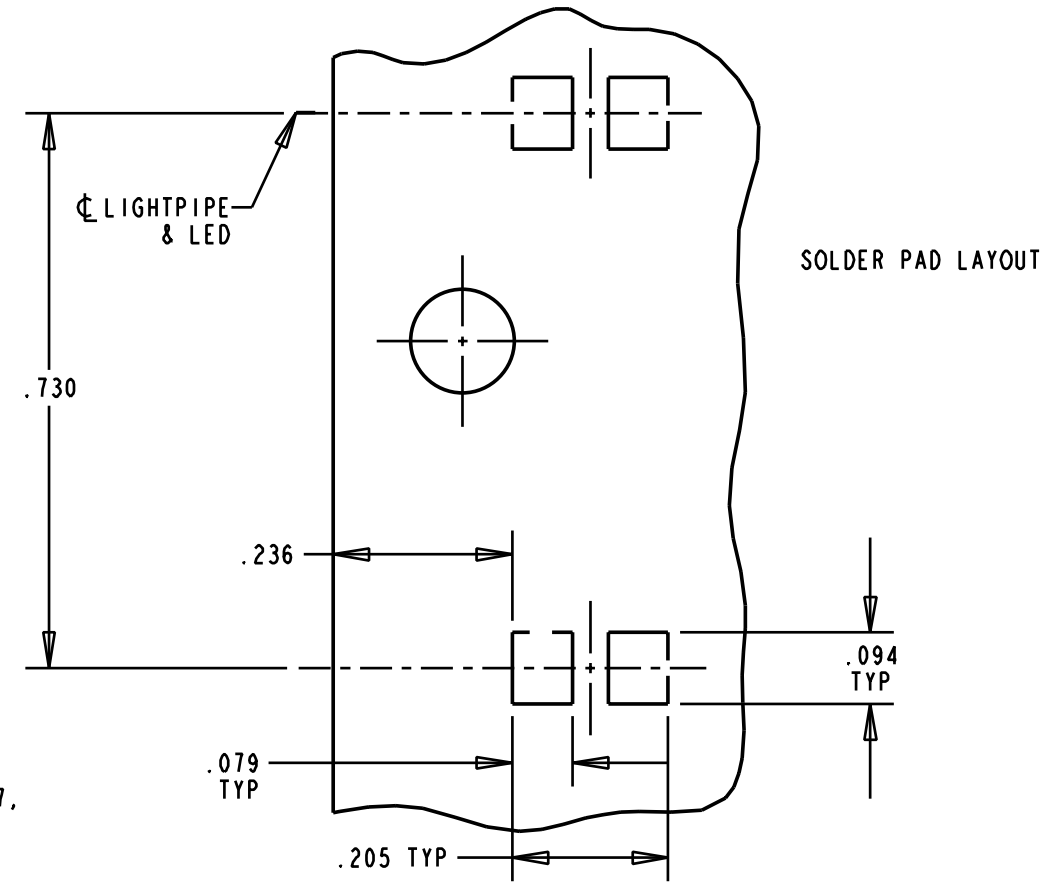
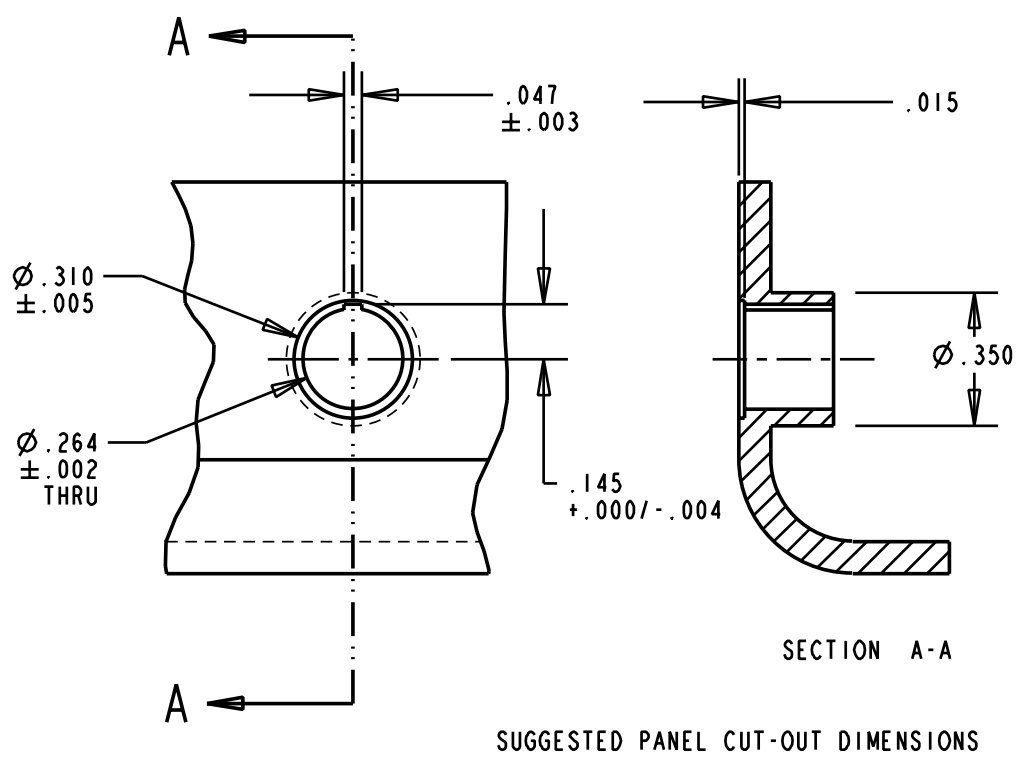
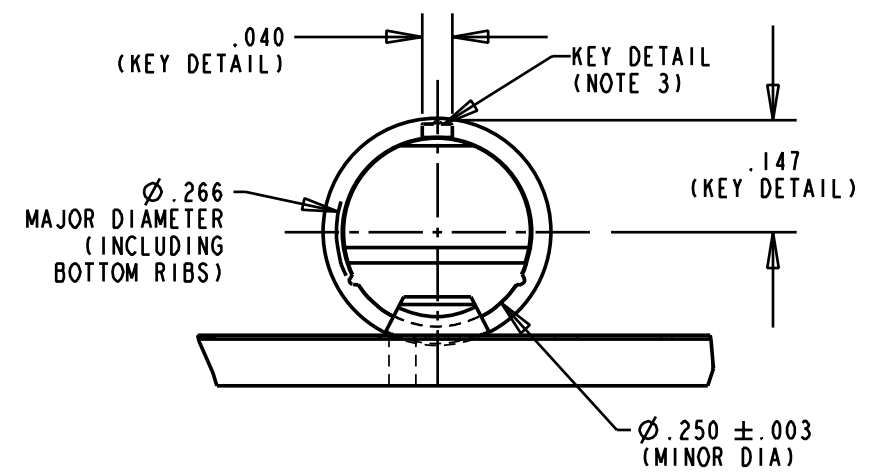
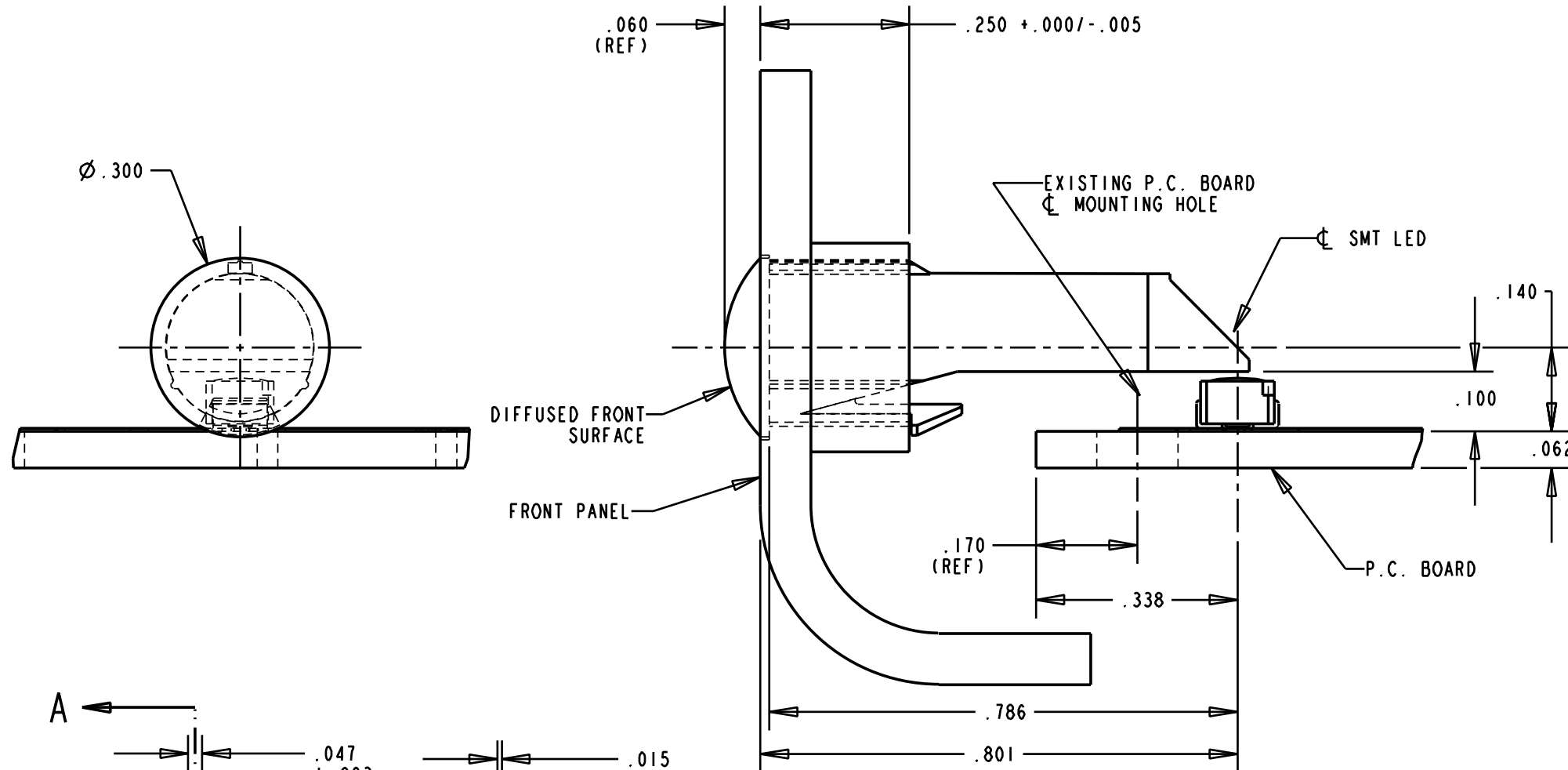


REV.	ECN NO.	REVISIONS	DRN.	CKD.	APP.	DATE
A	-----	NEW RELEASE	MC			



- NOTES:
1. COMPONENT TO BE MOLDED IN A CLEAR TRANSMISSIVE POLYCARBONATE.
  2. COMPONENT DESIGNED TO BE "SNAPPED" INTO FRONT PANEL FROM THE FRONT.
  3. KEY DETAIL FOR ALIGNMENT.
  4. LIGHTSOURCE: SINGLE COLOR SMT LEDs (DIALIGHT PART NUMBERS RED 597-3121-607, GREEN 597-3306-607, YELLOW 597-3406-607).
  5. DIALIGHT LIGHTPIPE PART NUMBER: 515-1104.

THIS DRAWING AND THE CONTENTS HEREIN ARE CONFIDENTIAL AND THE SOLE PROPERTY OF DIALIGHT. REPRODUCTION OF THIS DRAWING OR CONSTRUCTION OF ANY PARTS WITHIN THIS DRAWING ARE FORBIDDEN WITHOUT THE WRITTEN CONSENT OF DIALIGHT.		
SCALE 4:1 ALL DIM'S IN: INCHES (MM)	DRAWING NUMBER C-16635	REV A
TOLERANCES: UNLESS OTHERWISE SPECIFIED FRACTIONS: ±1/64 DECIMALS (.XX): ±.02 DECIMALS (.XXX): ±.015 DECIMALS (.XXXX): ±.0005 ANGLES: ±3°	TITLE SINGLE-ELEMENT LIGHTPIPE	
FINISH:	MATERIAL	
FSCM 83330	Dialight	1501 ROUTE 34 SOUTH FARMINGDALE, NJ 07727
	SHEET OF	FAMILY TABLE: