

REV	DESCRIPTION	DATE	BY	APP'D
1	REVISED	25FEB10	RF	JM
2	REVISED	08APR10	RF	JM

1 SHELL & KEY RETENTION PLATE: ALUMINUM ALLOY
 QUARTER-TURN FASTENER: COPPER ALLOY PER ASTM B196
 INSERT RETENTION CLIP, CURVED WASHER & FASTENER RETENTION CLIP: COPPER ALLOY PER ASTM B194
 CAPTIVE SCREW: STAINLESS STEEL PER AISI 303
 SCREW RETENTION CLIPS: STAINLESS STEEL PER AISI 304
 PROTECTIVE COVER: THERMOPLASTIC ELASTOMER
 POLARIZATION KEY: PEI THERMOPLASTIC PER ASTM D5205

2 SHELL: ELECTROLESS NICKEL PER SAE AMS-C-26074, CLASS 1
 KEY RETENTION PLATE: ANODIZED, CLEAR

3 PART TO BE MARKED WITH TYCO ELECTRONICS PRODUCT IDENTIFIER, PART NUMBER AND DATE CODE (YYWW) IN APPROX. AREA SHOWN.

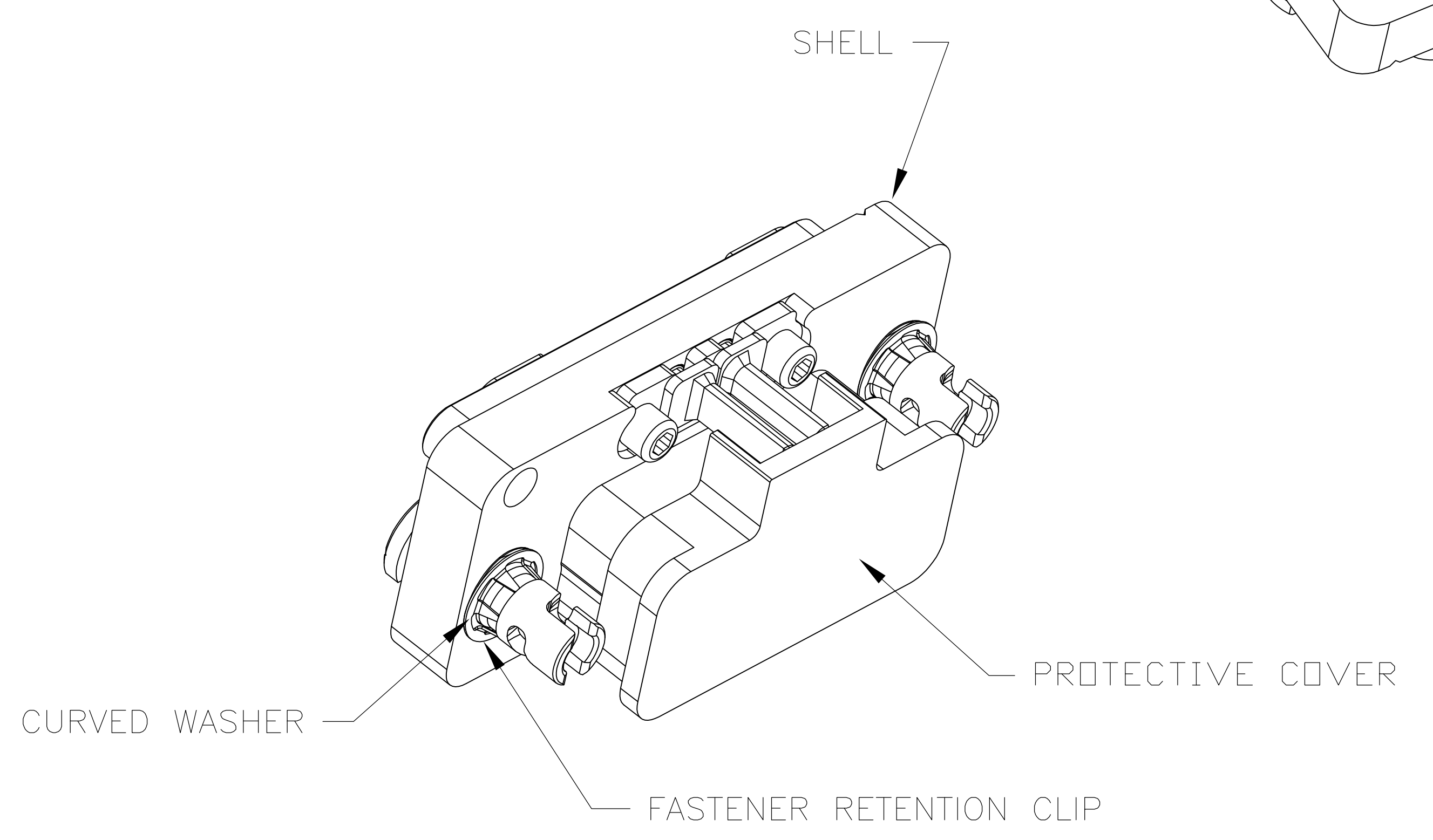
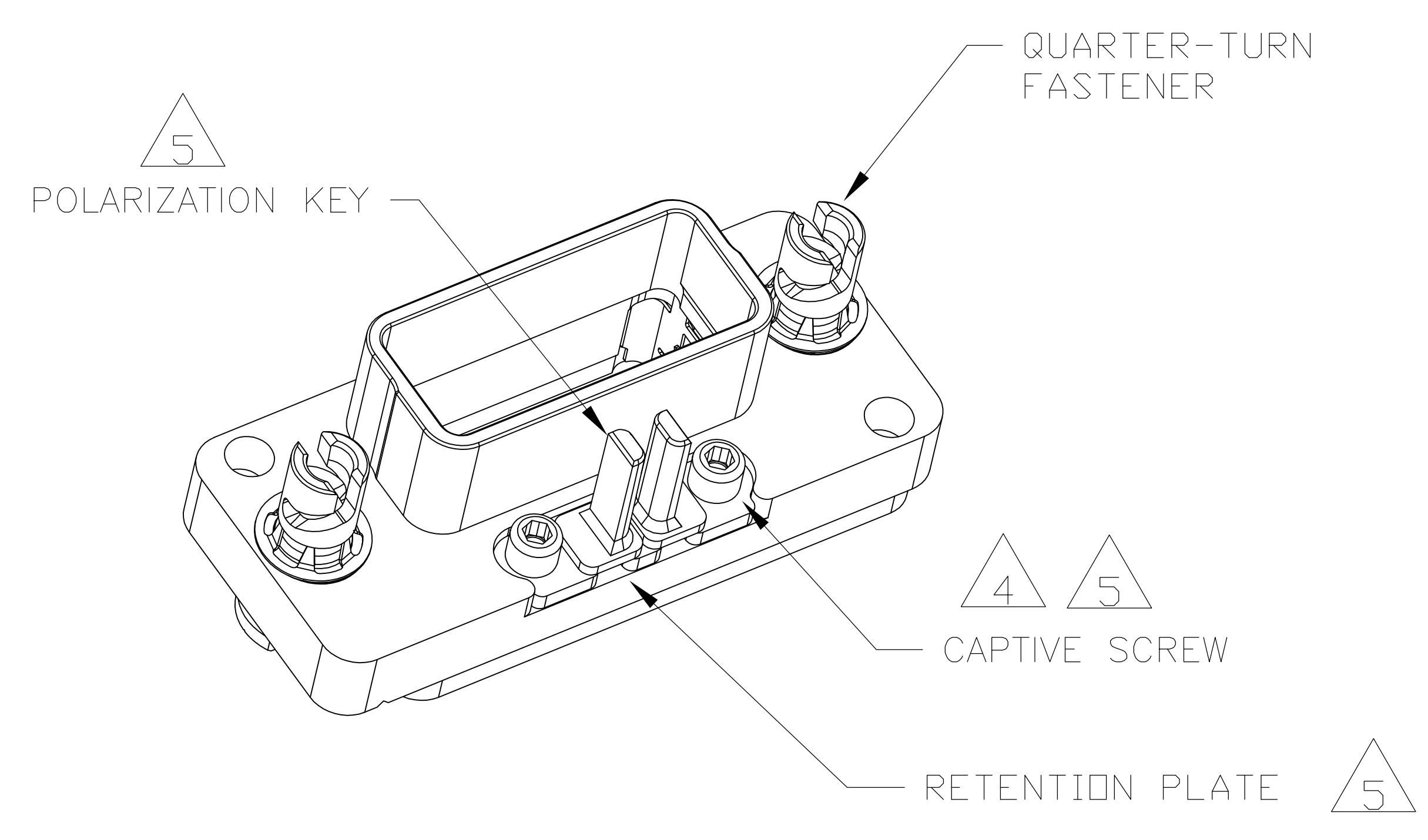
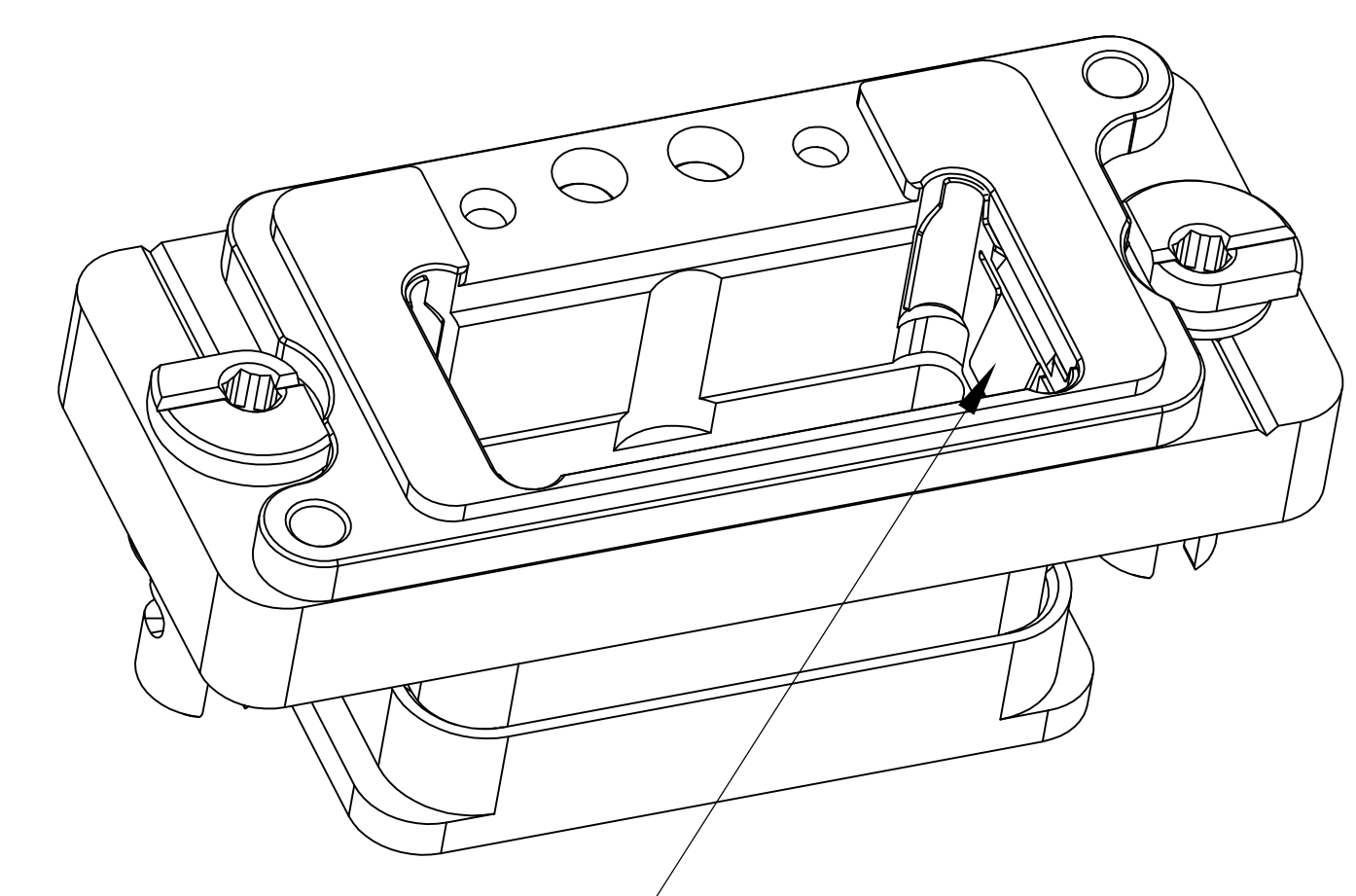
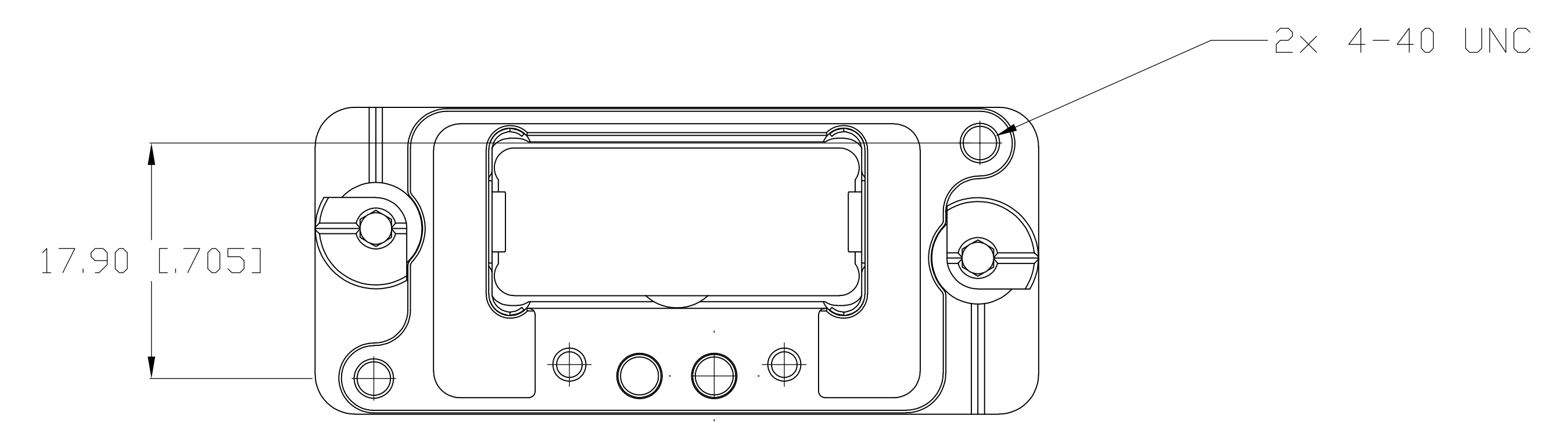
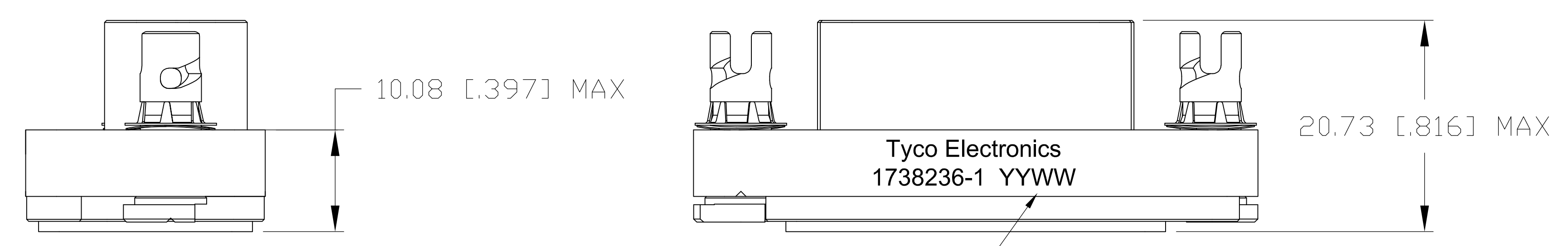
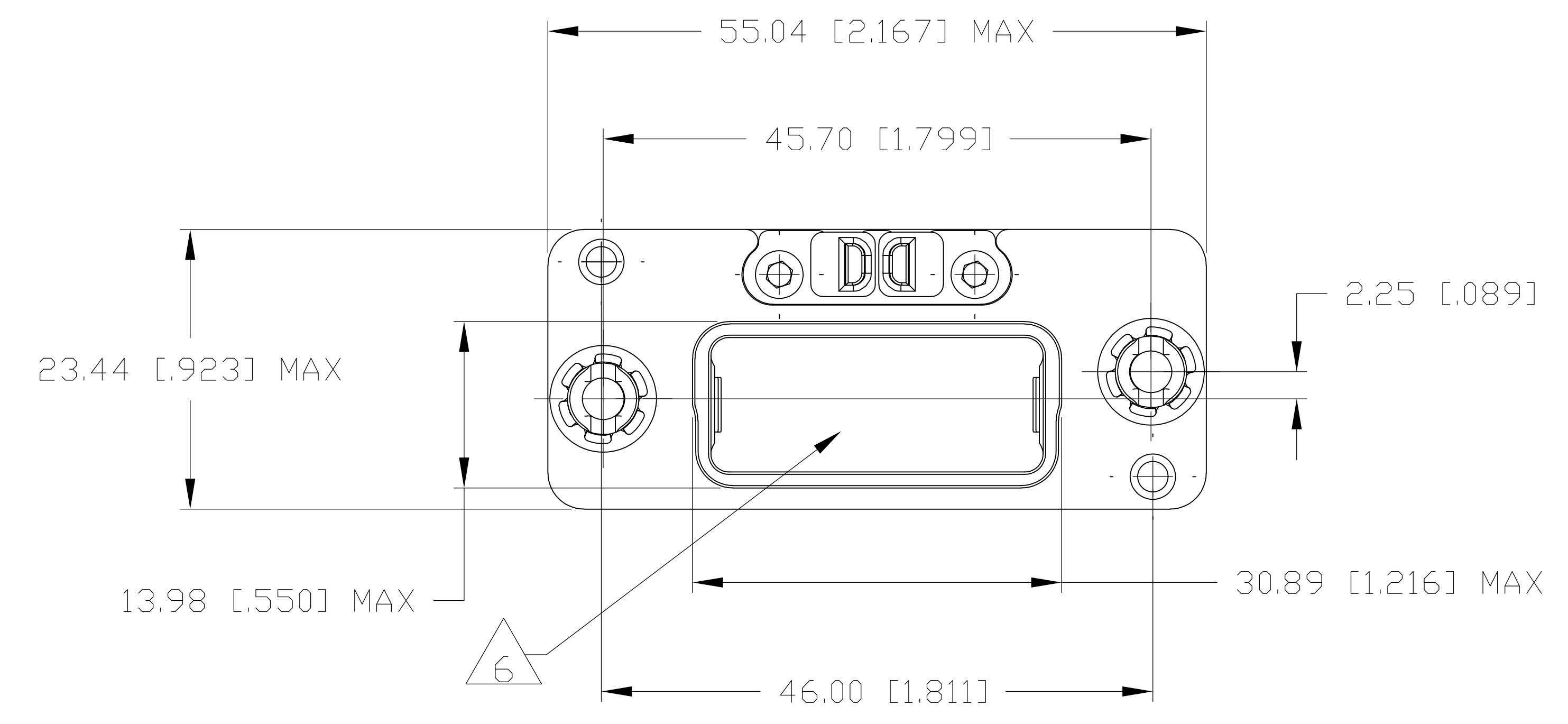
4 4-40 CAPTIVE SCREWS ON KEY RETENTION PLATE
 RECOMMENDED LOCKING TORQUE: 0.8 N.m [7in-lb]

5 THE POLARIZATION KEYS & RETENTION PLATE ARE SHIPPED UNASSEMBLED.

6 SHELL CAVITY FOR GPRB SERIES INSERTS WITH KEYING CODE A.

7. DESCRIPTIVE PART NUMBER: GPRB1PB04N
 SERIES: GPRB
 SHELL SIZE: 1 (SINGLE-CAVITY SHELL)
 SHELL STYLE: P (PLUG)
 MODIFICATION CODE: B (NO MOUNTING HOLES)
 LOCKING DEVICE: 0 (QUARTER-TURN FASTENER)
 POLARIZATION CODE: 4 (KIT, WITH POLARIZING HARDWARE UNASSEMBLED)
 SHELL PLATING: N (NICKEL PLATING)

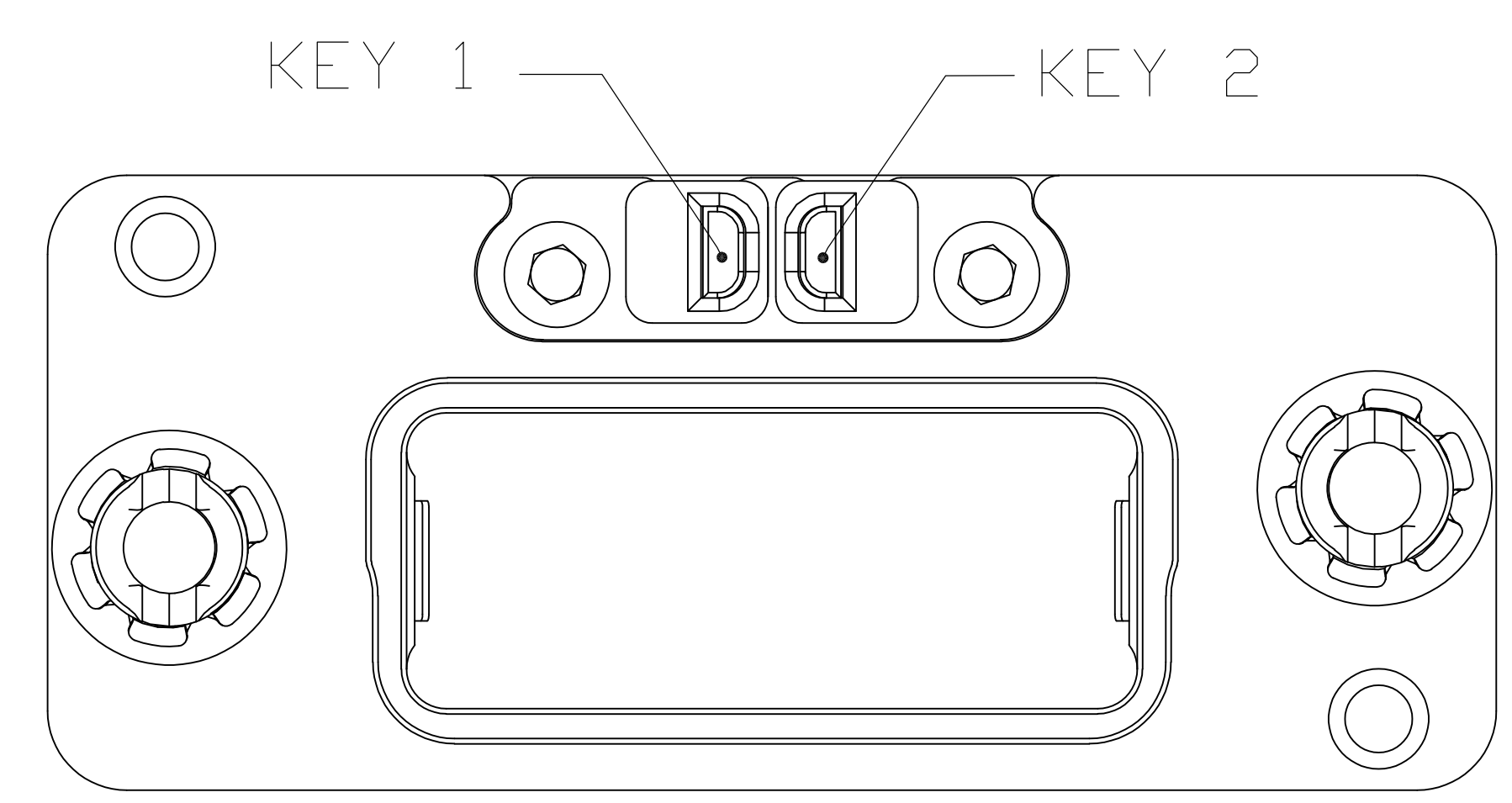
8. THIS PRODUCT IS SOLD BY TYCO ELECTRONICS UNDER A LICENSE FROM RADIALL SA.



THIS PRINT IS
PRELIMINARY
 UNQUALIFIED PRODUCT
 CONTACT PRODUCT ENGINEERING
 BEFORE USING THIS PRINT

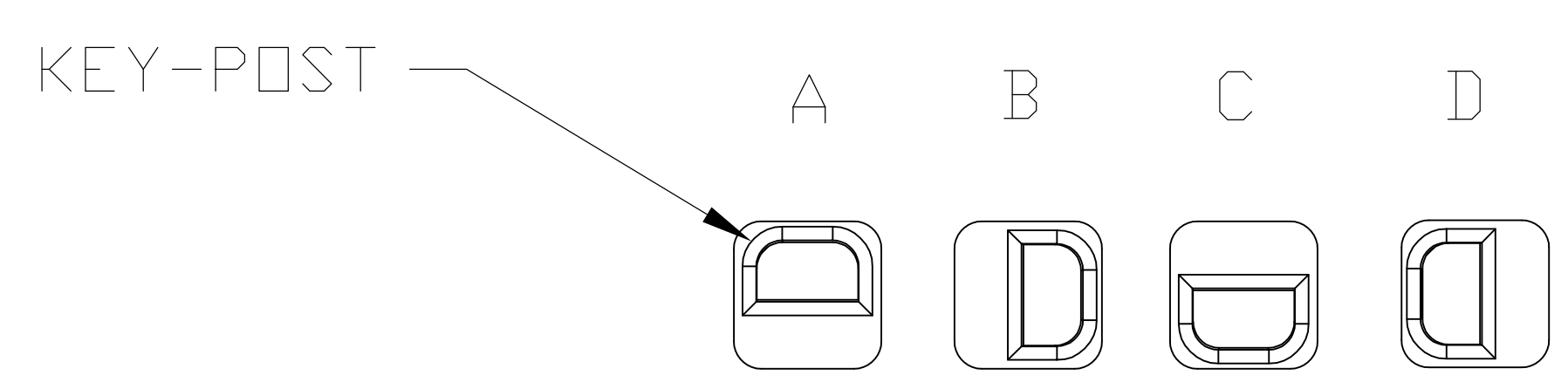
1738236-1
 PART NUMBER

THIS DRAWING IS A CONTROLLED DOCUMENT.		REV	DATE	BY	APP'D
DIMENSIONS: mm (INCHES)		1	25FEB10	RF	JM
TOLERANCES UNLESS OTHERWISE SPECIFIED:		2	08APR10	RF	JM
Ø	FRACTIONAL DECIMAL				
+	+				
-	-				
+	+ 0.13 (005)				
-	-				
+	+				
-	-				
MATERIAL:	FINISH:	WEIGHT:	SIZE	SCALE	SHEET
1	2		A0	2:1	1 of 2
CUSTOMER DRAWING		DRAWING NO:	1738236	REV	2



CODE NUMBER 08 SHOWN: B-D
 POLARIZATION KEY 1 POLARIZATION KEY 2

PLUG CONNECTOR POLARIZATION



CODE NUMBER	KEY 1	KEY 2
01	A	A
02	A	B
03	A	C
04	A	D
05	B	A
06	B	B
07	B	C
08	B	D
09	C	A
10	C	B
11	C	C
12	C	D
13	D	A
14	D	B
15	D	C
16	D	D

KEY-POST ORIENTATION

THIS PRINT IS
PRELIMINARY
 UNQUALIFIED PRODUCT
 CONTACT PRODUCT ENGINEERING
 BEFORE USING THIS PRINT

1738236-1
 PART NUMBER

THIS DRAWING IS A CONTROLLED DOCUMENT.		REV. FLAG	DATE	BY	CHKD	DATE	BY	Tyco Electronics Corporation Harrisburg, Pa 17105-3608	
DIMENSIONS: mm (INCHES)		UNLESS OTHERWISE SPECIFIED:	AS SHOWN	DATE	DATE	DATE	DATE	Tyco Electronics Corporation	
D. P.L.C. ± .005		F. P.L.C. ± .005	G. P.L.C. ± .005	H. P.L.C. ± .005	I. P.L.C. ± .005	J. P.L.C. ± .005	K. P.L.C. ± .005	PLUG SHELL KIT WITH POLARIZING HARDWARE GPRB1	
MATERIAL		FINISH	WEIGHT	SCALE	SIZE	DATE CODE	DRAWING NO.	RESTRICTED TO	
CUSTOMER DRAWING				2:1	A0	00779	1738236	SHEET 2 OF 2 REV 2	