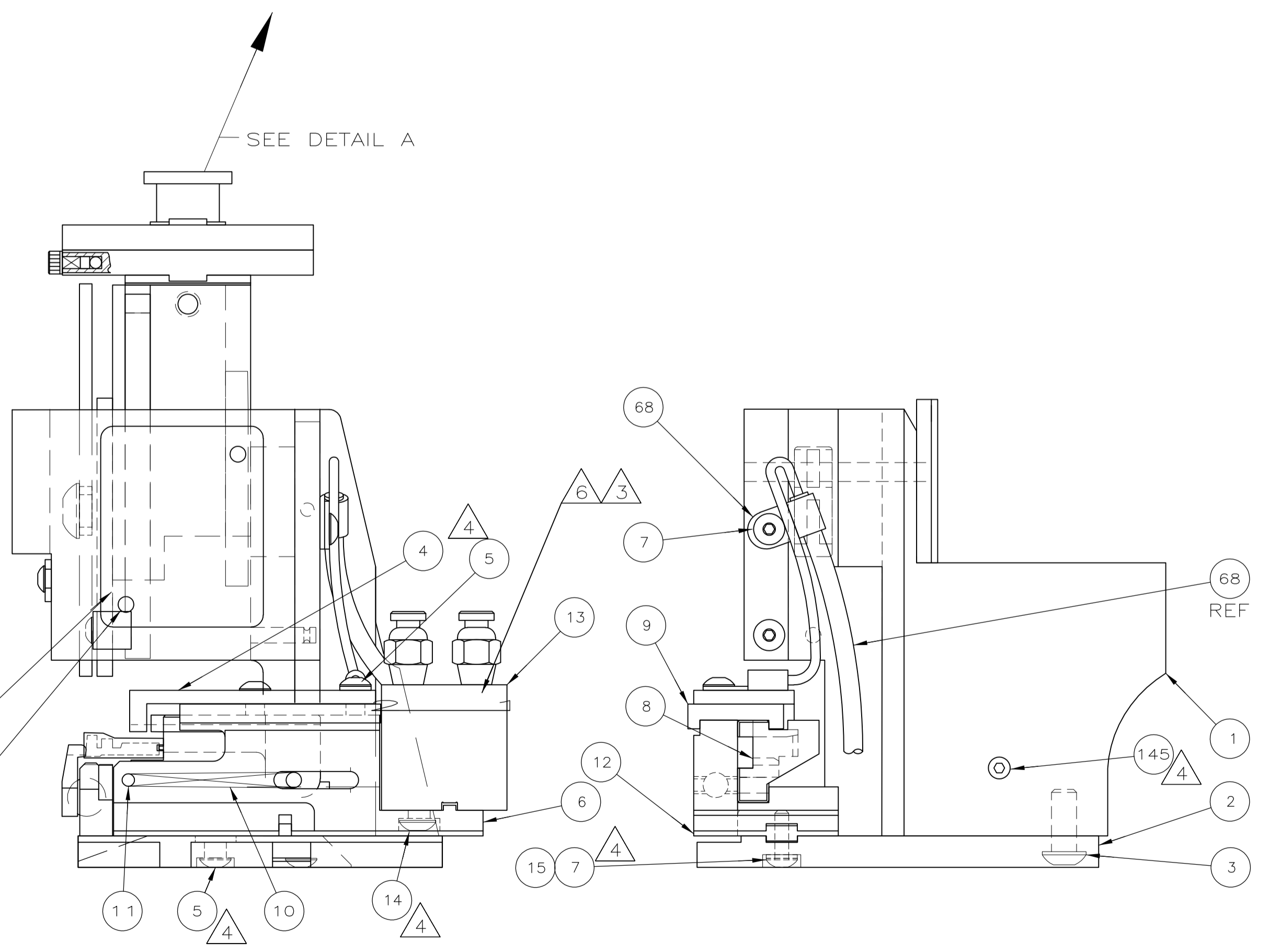
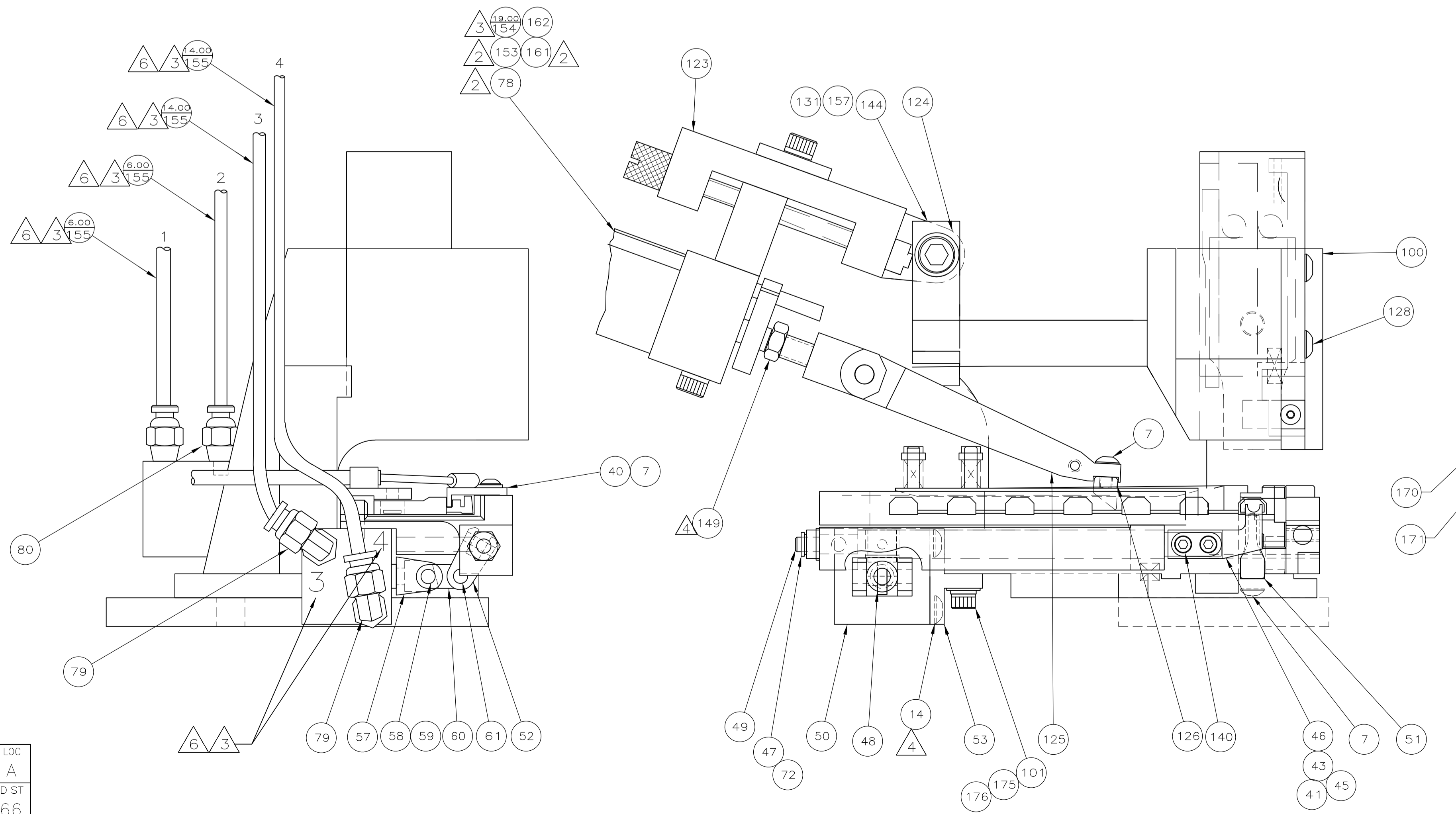
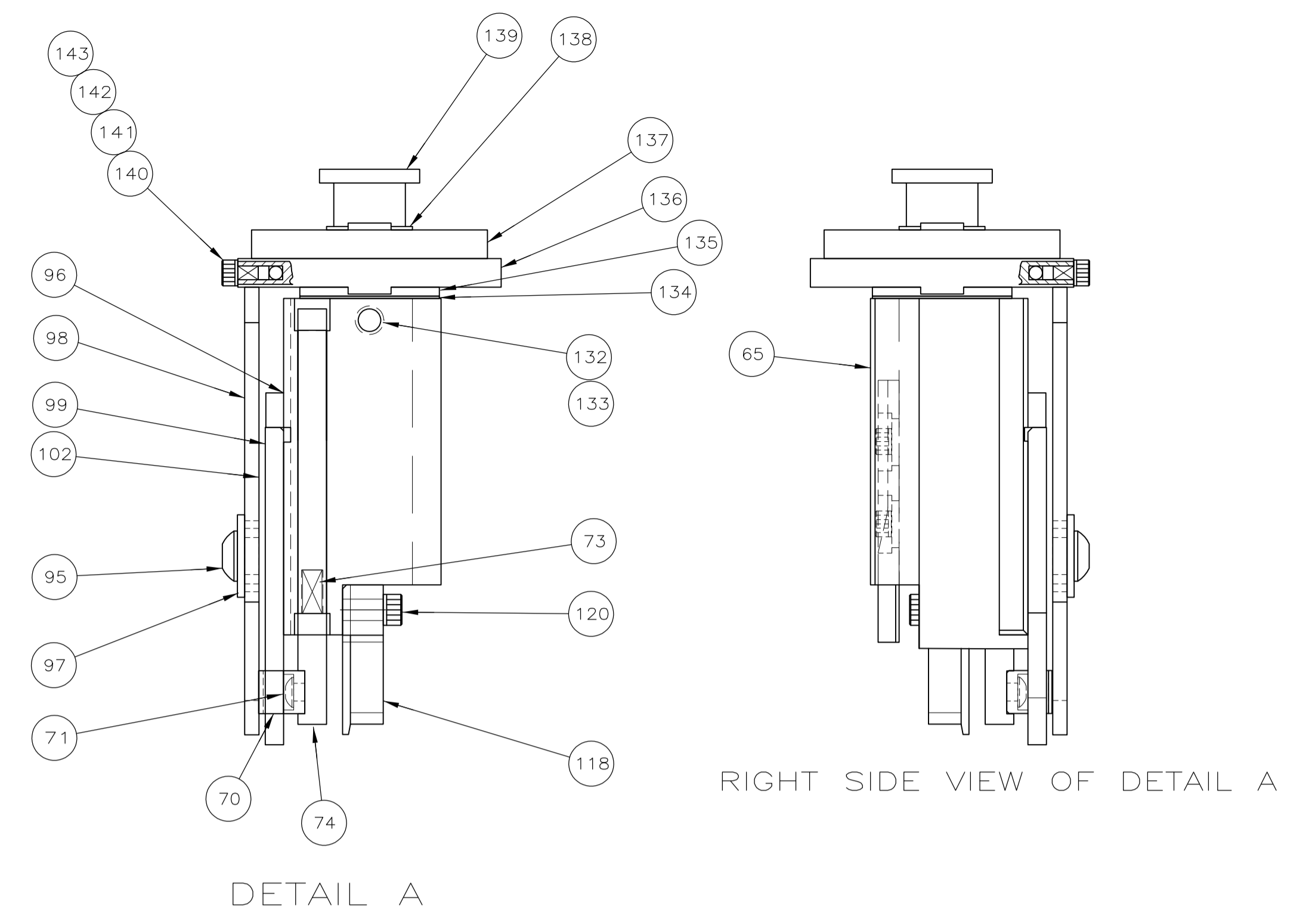
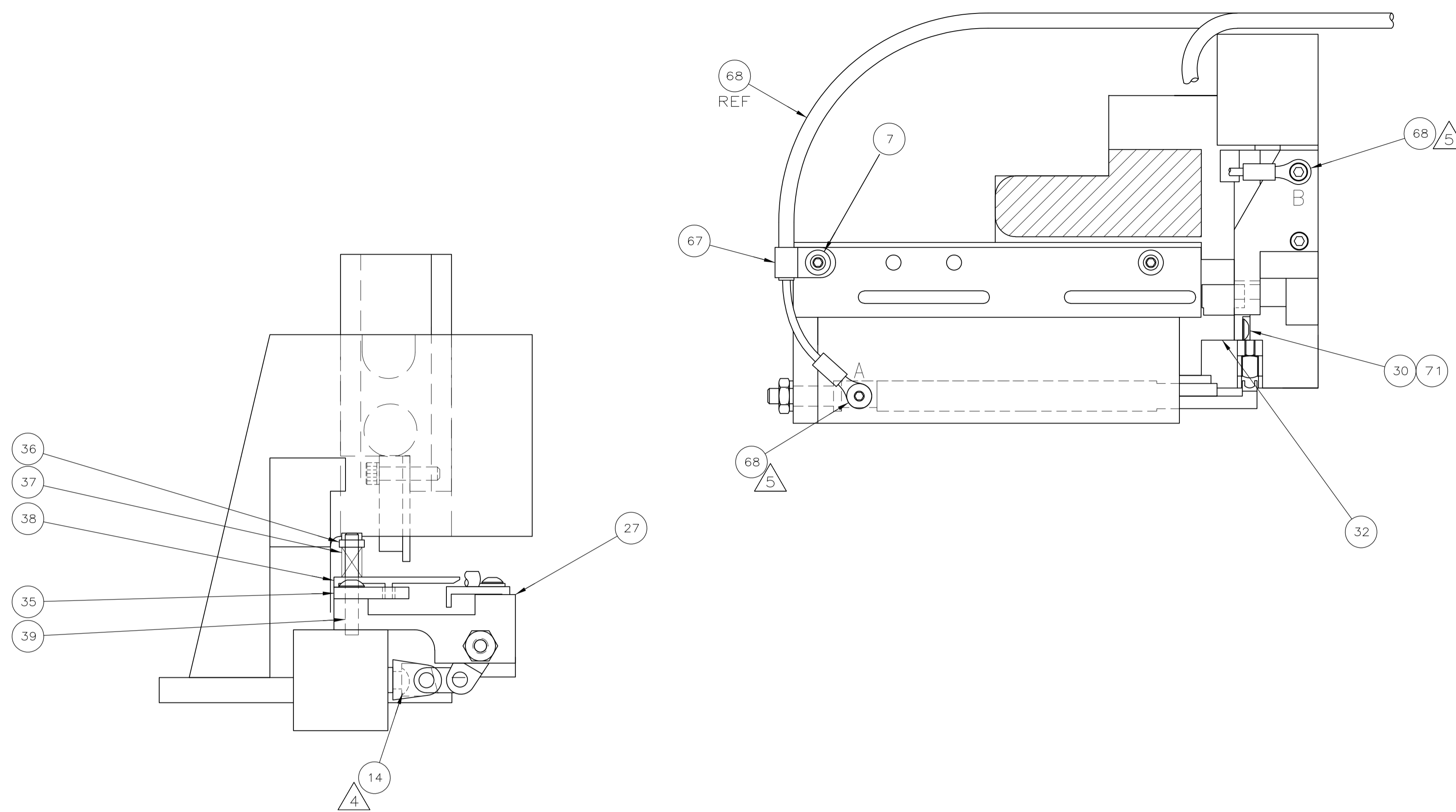


THIS DRAWING IS A CONTROLLED DOCUMENT. 680521



LOC A
DIST 66

DIMENSIONS:		TOLERANCES UNLESS OTHERWISE SPECIFIED:	
INCHES	0 PLC ± .010	1 PLC ± .005	2 PLC ± .002
	3 PLC ± .005	4 PLC ± .002	5 PLC ± .001
ANGLES:	0°30'		
SURFACE TEXTURE:	125		

DWN	8-11-97	MATERIAL	HEAT TREAT
P.MATHIAS			
CHK	8-11-97		
C.ERISMAN			
APVD	8-11-97		
J.DODDS			
NAME	ULTRA-POD SENSING APPLICATOR .250 STRAIGHT		
SCALE	1:1	SIZE	A1
DRAWING NO	680521	SHEET	2 OF 2
REV	G4		

CUSTOMER ACCESSIBLE PRODUCTION DRAWING

THIS INFORMATION IS CONFIDENTIAL AND PROPRIETARY TO TYCO ELECTRONICS CORPORATION AND ITS WORLDWIDE SUBSIDIARIES AND AFFILIATES. IT MAY NOT BE DISCLOSED TO ANY OTHER PARTY WITHOUT THE WRITTEN AUTHORIZATION OF TYCO ELECTRONICS CORPORATION, HARRISBURG, PENNSYLVANIA, USA.