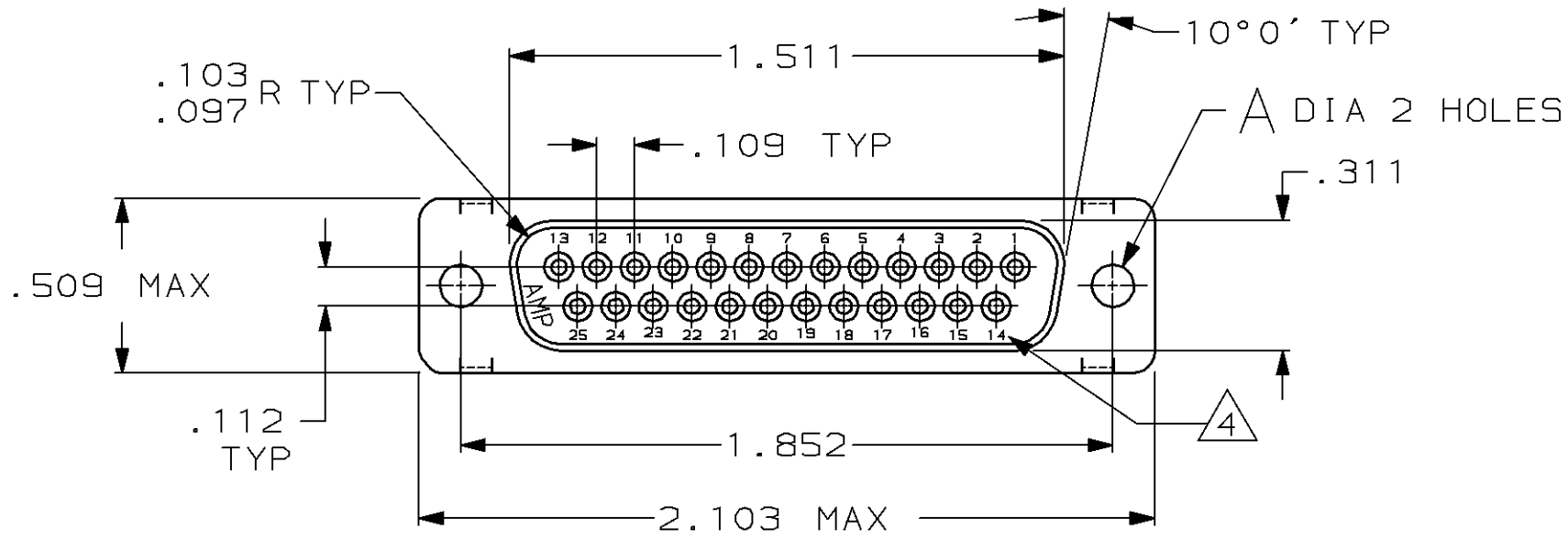
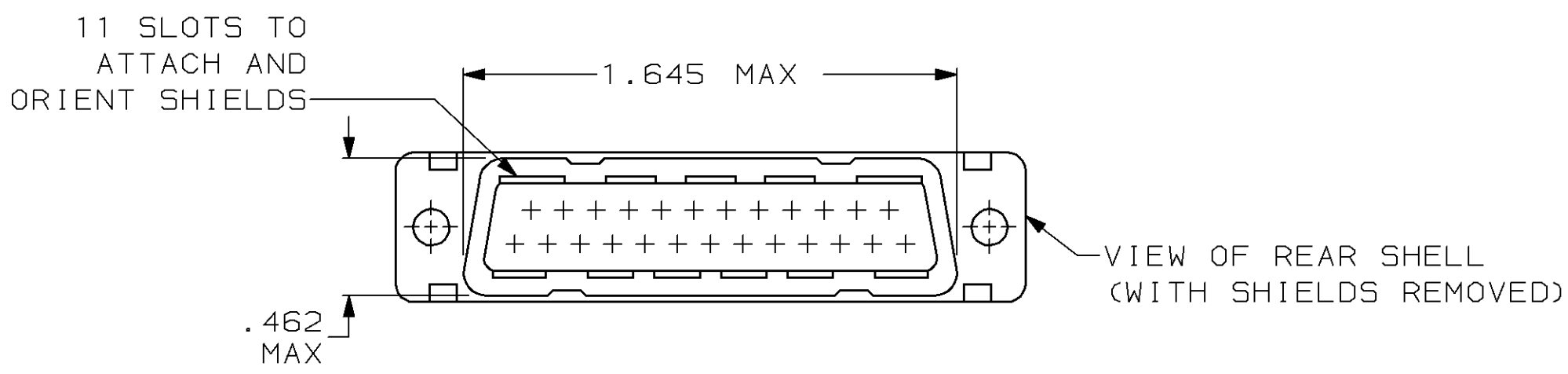
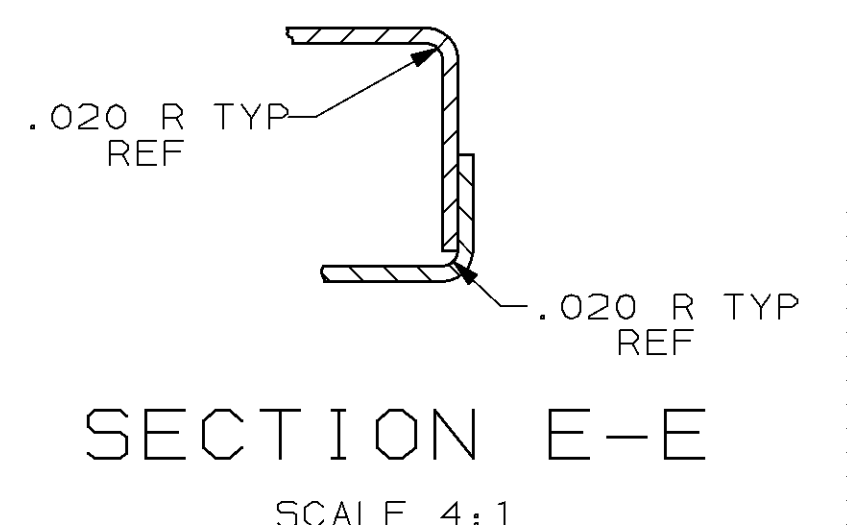
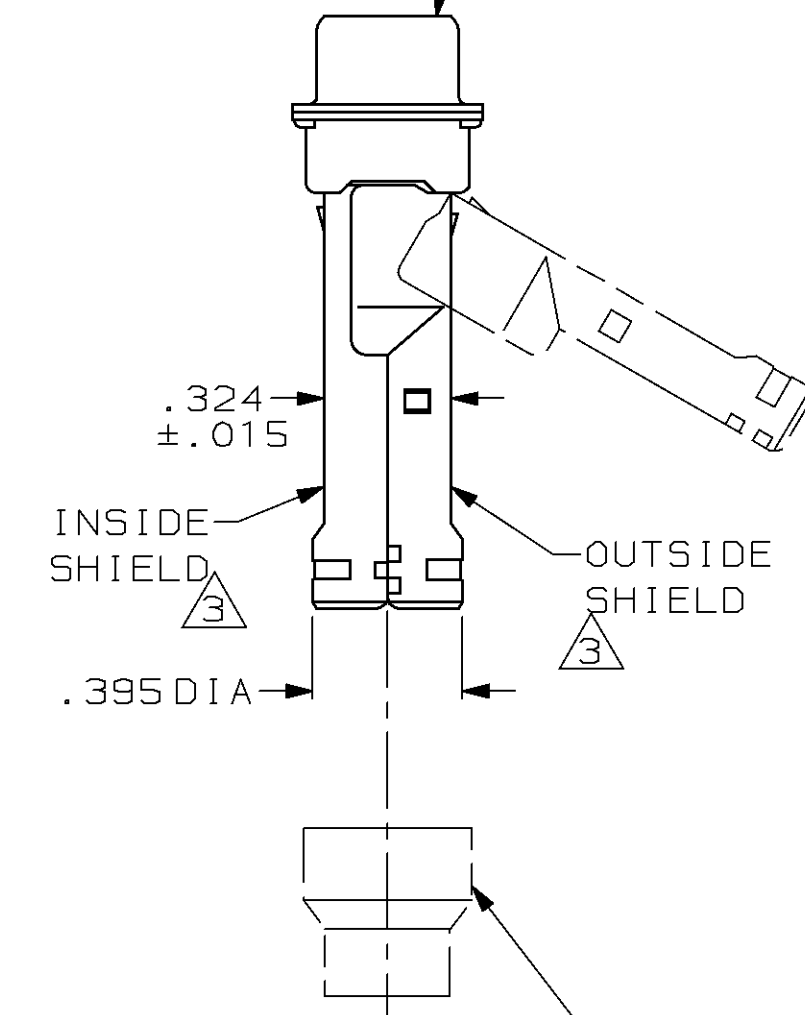
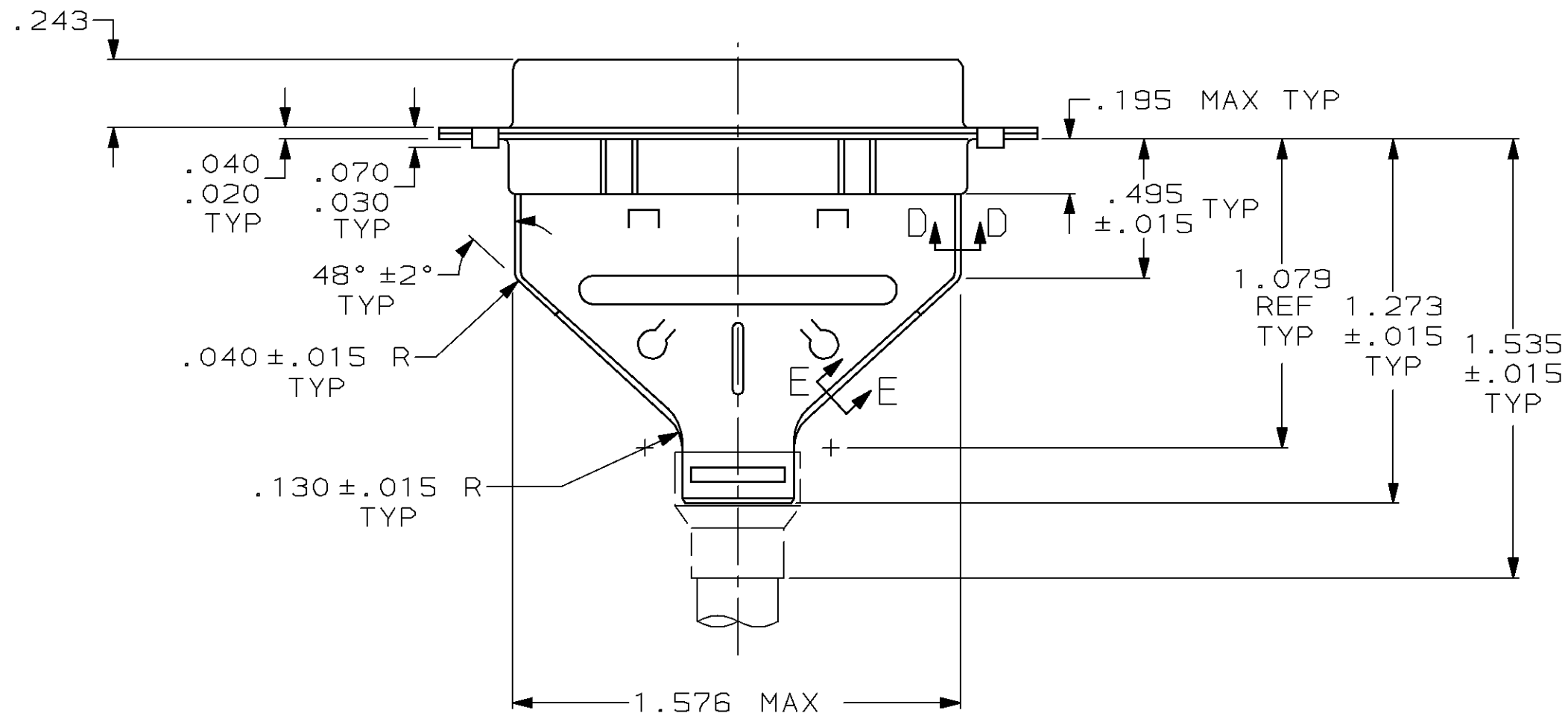
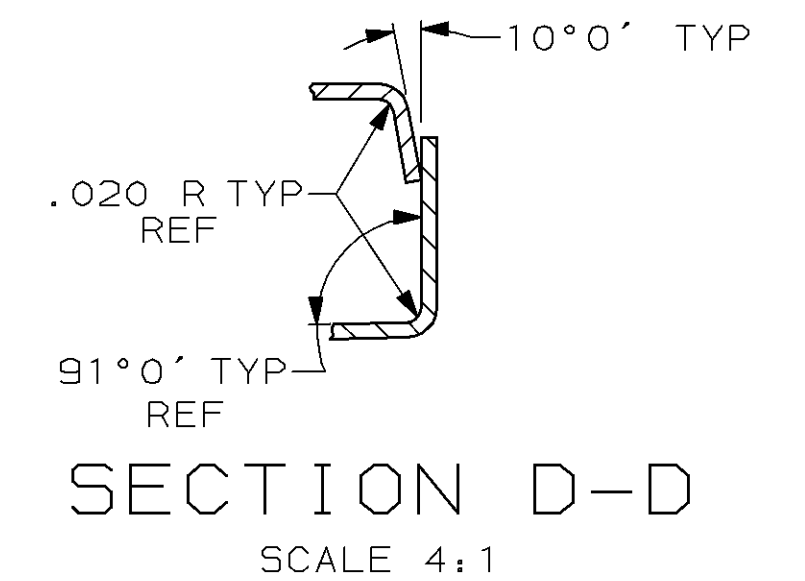


THIS DRAWING IS UNPUBLISHED. RELEASED FOR PUBLICATION  
 © COPYRIGHT 19 BY AMP INCORPORATED. ALL INTERNATIONAL RIGHTS RESERVED.

LOC	DIST	P	F	REVISIONS				
				ZONE	LTR	DESCRIPTION	DATE	APPD
BD	48				B	REDRAWN	5/30/90	-
					C	REV PER ECN BD4493	12/17/90	-
					D	ADDED -2 PER NPR 4125, WAS 92-5788-10-1	04/20/92	TS
					E	ADDED -3 PER NPR 4258	07/09/92	SB
					F	OBS -3 PER EC 0420-143-96	07 NOV 97	SB



RCPT CONNECTOR  
 INSERTS: BLACK GLASS-FILLED NYLON, 94V-0 RATED.  
 SHELLS: STEEL PER ASTM A109, BRIGHT TIN PLATED PER MIL-T-10727.



FERRULE (MUST BE PURCHASED SEPARATELY)

OBSOLETE		5
	.150/.160	747555-2
	.115/.125	747555-1
A	PART NUMBER	

- 1 RCPT ACCEPTS SIZE 20 SOCKET CONTACTS (CONTACTS MUST BE ORDERED SEPARATELY).
- 2. ALL PARTS SHIPPED UNASSEMBLED, EACH PART INDIVIDUALLY BULK PACKED.
- 3 SHIELDS: MATERIAL-.020 THICK STEEL, TIN PLATED PER MIL-T-10727.
- 4 RAISED CAVITY IDENTIFICATION AND AMP TRADEMARK.
- 5 SEE RESTRICTED CUSTOMER DRAWING 747555-3.

DO NOT SCALE PRINT. UNLESS SPECIFIED DIMENSIONS IN INCHES TOLERANCES ON: 2 PLC DEC ± - 3 PLC DEC ± .005 ANGLES ± 0°30'	DR 5/30/90 A.STAUB BG CHK 8-31-90 J.McCLINTON APPD 9-4-90 BOB TAYLOR APPD 9-4-90 J.ASSINI PRODUCT SPEC -	AMP INCORPORATED Harrisburg, Pa. 17105	
MATERIAL SEE CALL OUT 3	NAME	KIT, RCPT, SHIELDING HARDWARE, SIZE 3, 25 POSN, HDP-20, AMPLIMITE™	
FINISH SEE CALL OUT 3	APPLICATION SPEC -	SIZE C	FSCM NO 00779
	WEIGHT -	SCALE 4:1	DRAWING NO 747555
			SHEET 1 OF 1