

**SAFETY ORGANIZATIONS**

THIS FILTER HAS BEEN FORMALLY RECOGNIZED, CERTIFIED OR APPROVED BY THE LISTED AGENCY. THEREFORE, ALL TEST/REQUIREMENTS SPECIFIED IN THE LATEST REVISION OF THE FOLLOWING AGENCY STANDARDS HAVE BEEN MET:

UL RECOGNIZED: UL 1283  
 CSA CERTIFIED: CSA 22.2, # 8  
 VDE APPROVED: EN 133200

**OPERATING SPECIFICATIONS**

LINE CURRENT/VOLTAGE: 2 AMP/40°C, 120/250VAC

LINE FREQUENCY: 50-60Hz

MAXIMUM LEAKAGE CURRENT,  
 EACH LINE TO GROUND:  
 0.40mA @ 120V, 60Hz  
 0.70mA @ 250V, 50Hz

OPERATING AMBIENT TEMP. RANGE: -10°C TO +40°C @ RATED CURRENT, I<sub>r</sub>.

IN AN AMBIENT, T<sub>0</sub>, HIGHER THAN 40°C, THE MAXIMUM OPERATING CURRENT, I<sub>0</sub>, IS AS FOLLOWS:

$$I_0 = I_r \sqrt{\frac{100 - T_0}{60}}$$

**RELIABILITY SPECIFICATIONS:**

STORAGE TEMPERATURE: -40°C TO +85°C  
 HUMIDITY: 21 DAYS @ 40°C 95% RH.  
 CURRENT OVERLOAD TEST: 6 TIMES I<sub>r</sub> FOR 8 SECONDS

**TEST SPECIFICATIONS:**

INDUCTANCE: 0.539mH NOMINAL  
 CAPACITANCE: (MEASURED @ 1KHz, 0.250VAC MAX., 25°C±1°C)  
 LINE TO GROUND: 0.0089µF ±20%  
 LINE TO LINE: 0.012µF ±20%  
 DISCHARGE RESISTOR: 1.5MΩ  
 L/G AND L/L I.R.:  
 NO DISCHARGE RESISTOR: 6000MΩ (MIN.) @ 100VDC, 20°C AND 50% RH

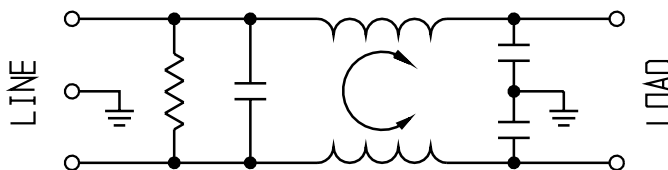
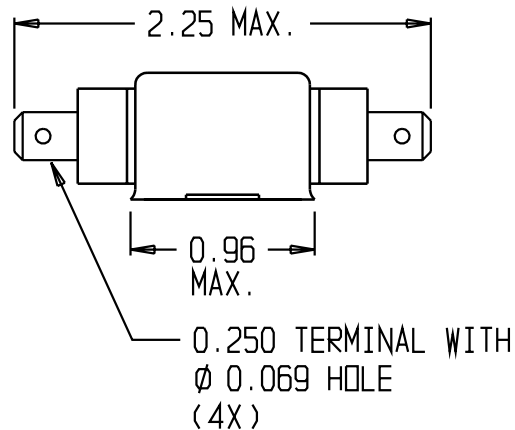
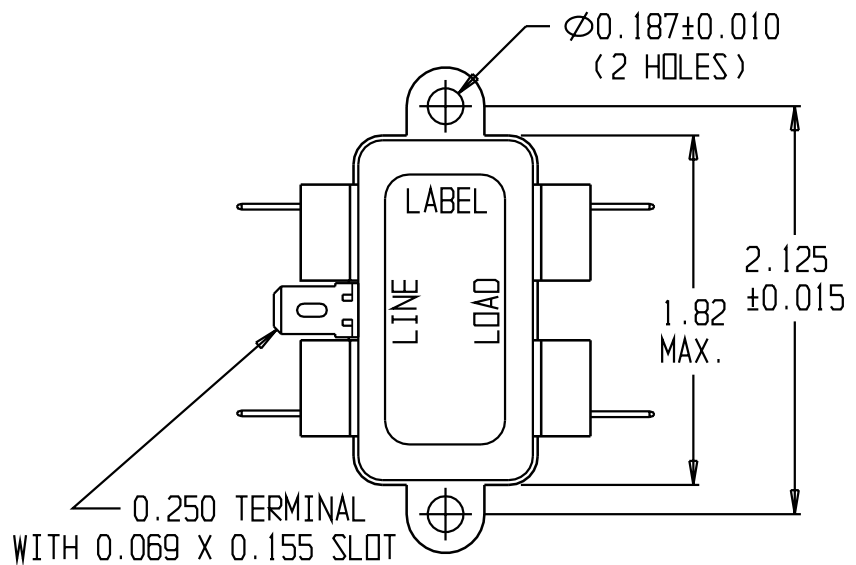
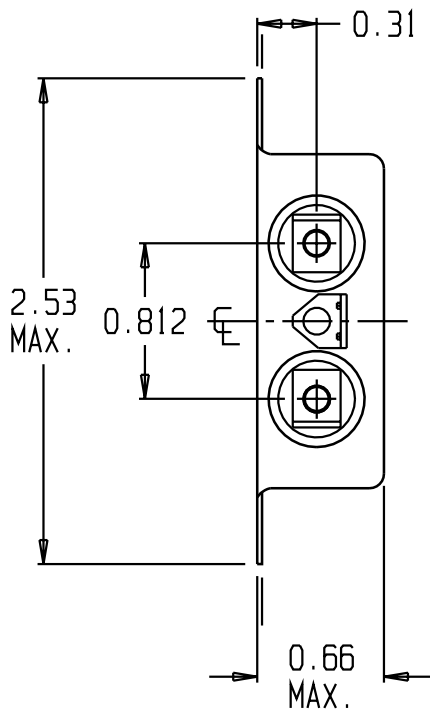
**RECOMMENDED RECEIVING INSPECTION HIPOT:**

LINE TO GROUND: 1500VAC OR 2250VDC FOR 1 MINUTE  
 LINE TO LINE: 1450VDC FOR 1 MINUTE

**FILTER APPROVAL:**

THE BEST WAY TO SELECT AND QUALIFY A FILTER IS FOR YOUR ENGINEERING TO TEST THE UNIT IN YOUR EQUIPMENT.

CATALOG # 2VB1		
ECD #	APPRVD.	DATE
	KAW	30NOV06



50Ω - 50Ω (MINIMUM) INSERTION LOSS										THIRD ANGLE PROJECTION		<b>tyco</b> /Electronics <b>CORCOM</b> 620 S. BUTTERFIELD ROAD MUNDLEIGH IL 60060					
FREQUENCY MHz	0.15	0.5	1.0	2.0	5.0	10	20	30			UNLESS OTHERWISE SPECIFIED, TOLERANCE TO BE ±.025 MATERIAL & FINISH: AS SUPPLIED		CUSTOMER DRAWING 2VB1				
COMMON dB	7	20	26	35	45	50	52	54			This document is proprietary to CORCOM INC. and is not to be reproduced nor used for manufacturing purposes except on CORCOM'S prior written consent.		TYCO: 0-6609021-3	SCALE: NTS	DATE: 12SEP89	CATALOG NO. 2VB1	REV. B
DIFF. dB											DRW. BY: JF	ORIG: CW					