

5

4

3

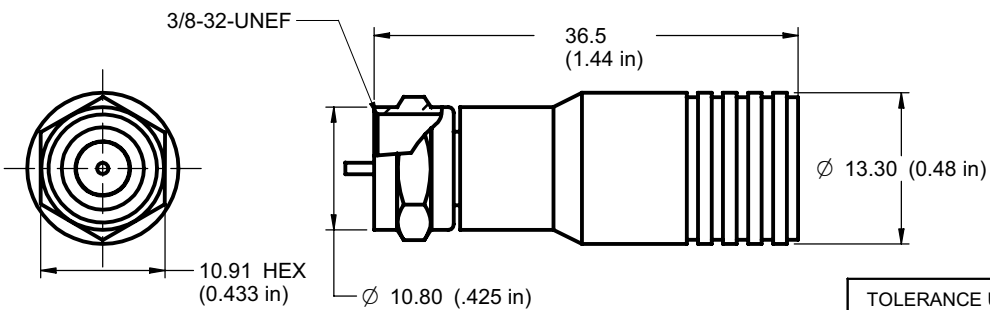
2

1

受控 CONTROLLED DOCUMENT					
编号 P/N	25-7191-CUST	版本 Rev	01	日期 Rel'd Date	Apr29,09

DRAWING NO. <b>25-7191-CUST</b>			
<b>REVISIONS</b>			
01 OFFICIAL RELEASE			
02-20-09	T W	B Y	T L Thomas Chow

Description: One Piece Crimp on F-connector  
 Part No: 25-7191  
 Application: For Cable RG-11, Tri-Quad Shield  
 Crimp Tool: 24-8866P  
 Impedance: 75 Ohms  
 Frequency Range: 0-750 MHz  
 Material: Body Brass Nickel plated  
 Contact Brass Nickel plated  
 Nut Brass Nickel plated  
 RoHS Compliance: Yes  
 Technical Detail: Refer to Emerson Document P/N 25-0000



**DIM OUTLINE**

**CUSTOMER COPY**

TOLERANCE UNLESS OTHERWISE SPECIFIED		DRAWN BY	DATE
DECIMALS	mm	TERRY.W	02-20-09
X	± 0.5	CHECKED BY	DATE
X.X	± 0.3	BETTY.YU	02-20-09
X.XX	± 0.1	APPROVED BY	DATE
ANGLES	± 0.5°	THOMAS	02-20-09
		U/M	mm

 <b>cinch</b> CONNECTIVITY SOLUTIONS <small>a bel group</small>	
TITLE <b>ONE PIECE CRIMP-ON F CONNECTOR</b>	

THIS DRAWING WAS PRODUCED BY COMPUTER, DO NOT SCALE DRAWING OR UPDATE MANUALLY.		SHEET 1 OF 1	DRAWING NO. <b>25-7191-CUST</b>	SIZE <b>A</b>
---	--	-----------------	------------------------------------	------------------

5

4

3

2

1