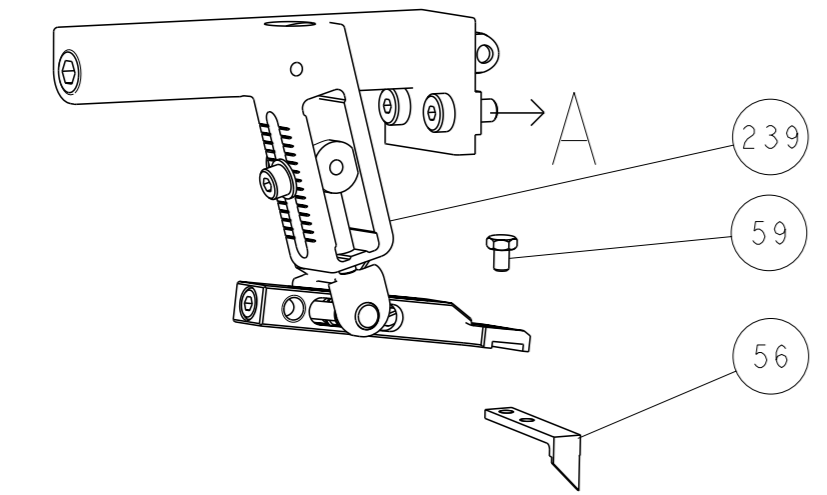


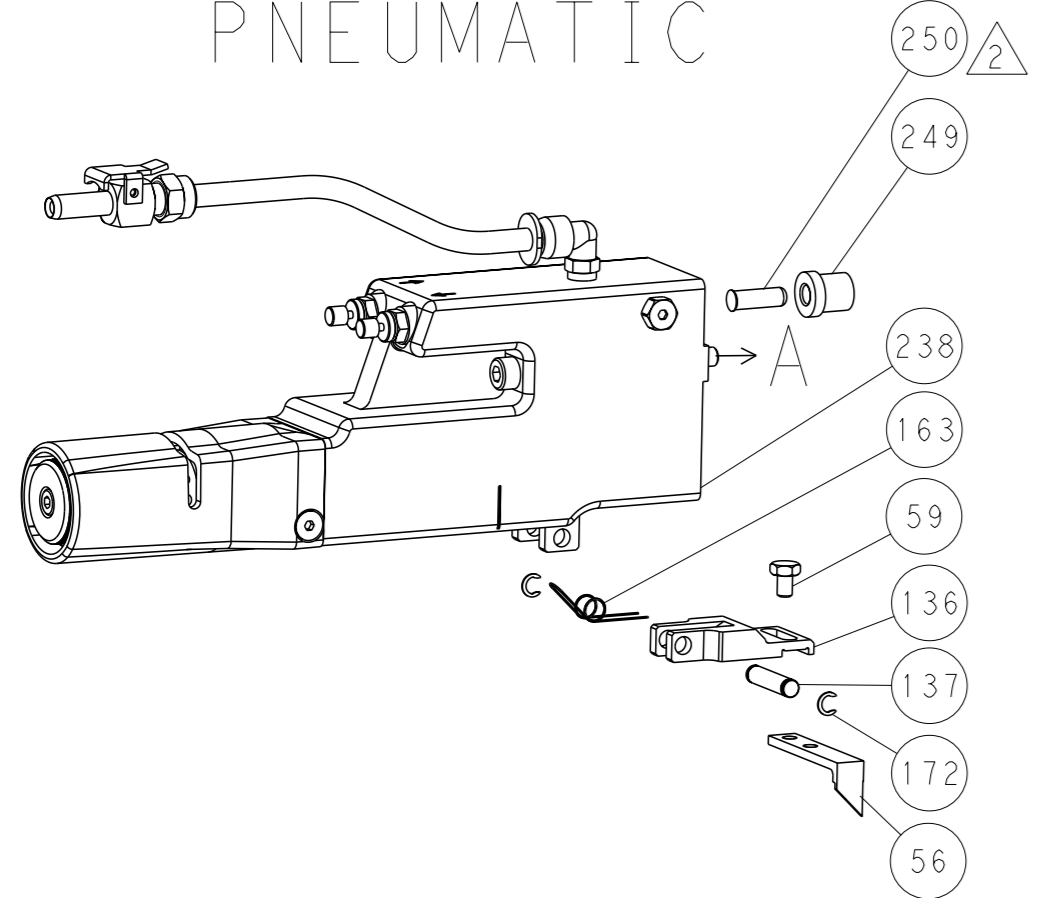


| LOC | DIST        | REVISIONS |      |     |      |
|-----|-------------|-----------|------|-----|------|
| A   | 66          | REV       | DATE | OWN | APVD |
| -   | SEE SHEET 1 | -         | -    | -   | -    |

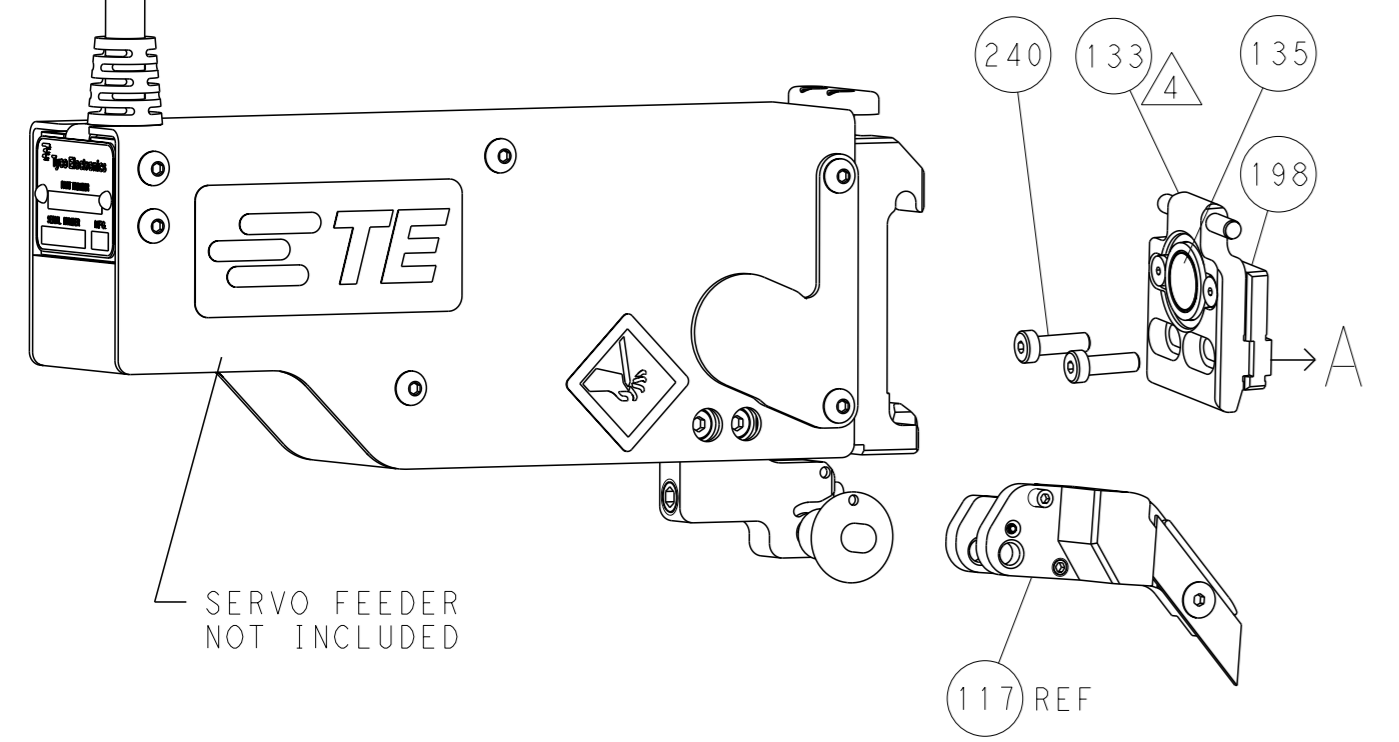
### FEED TYPE MECHANICAL



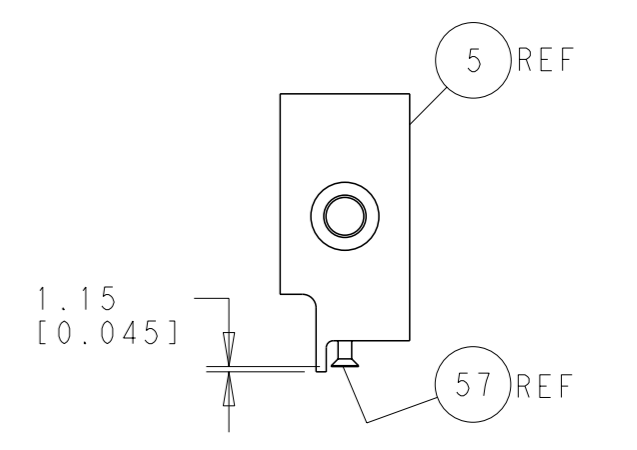
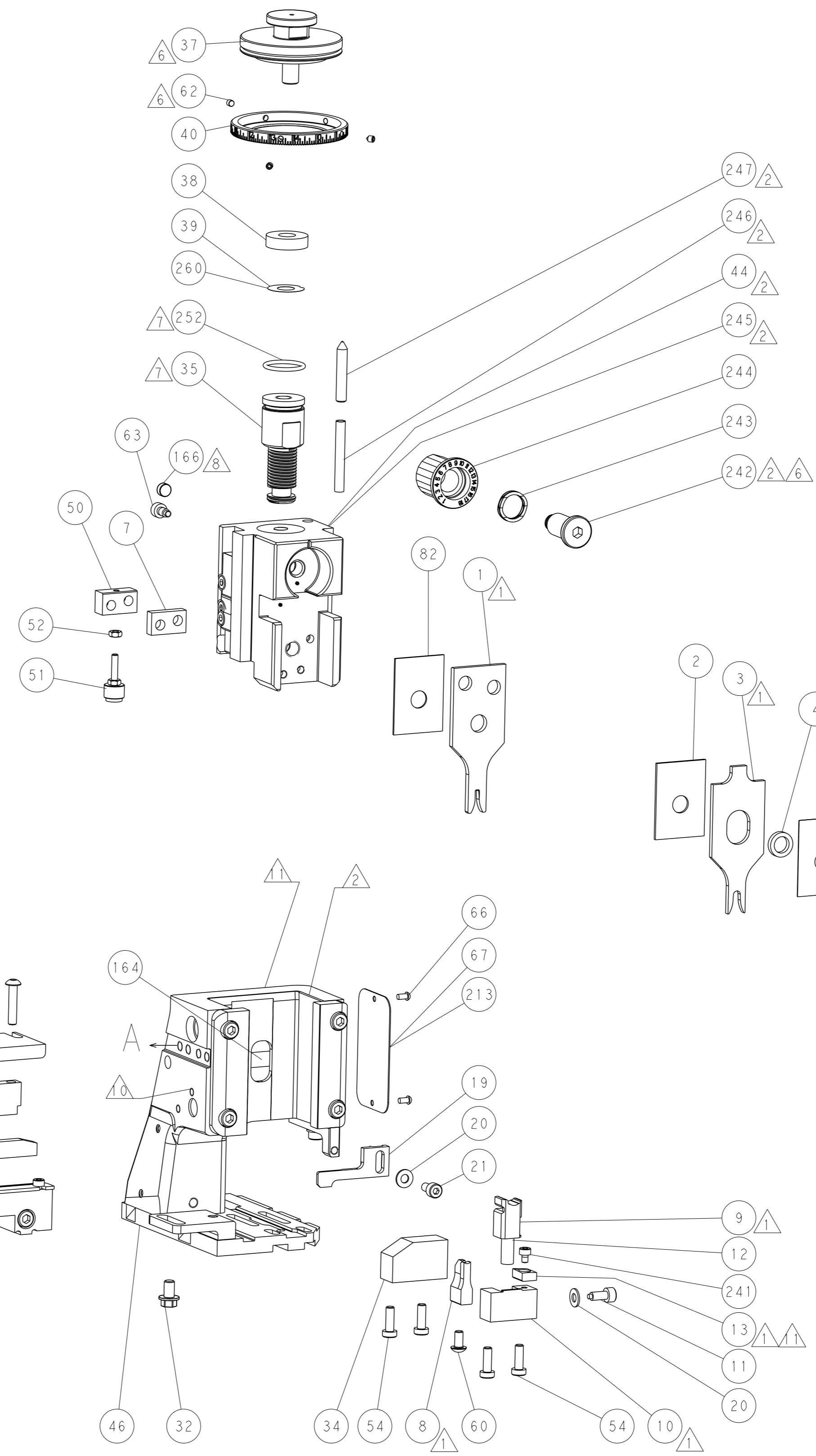
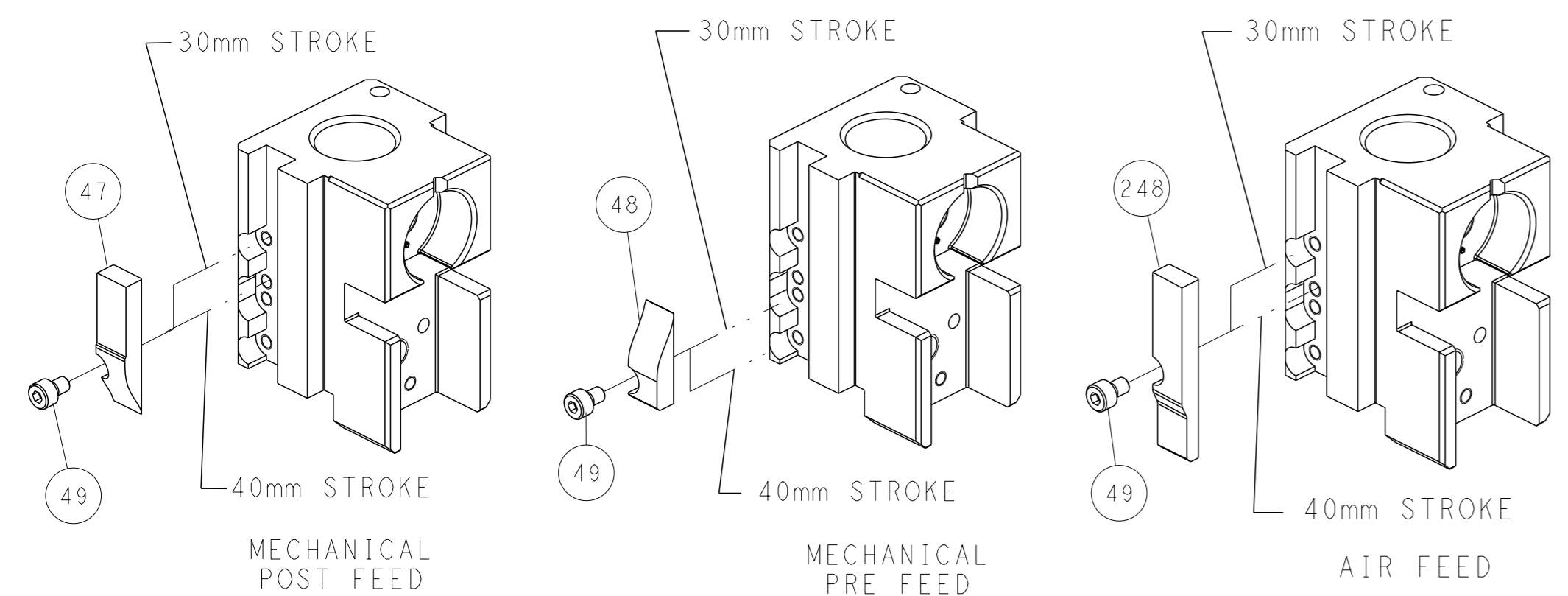
### PNEUMATIC



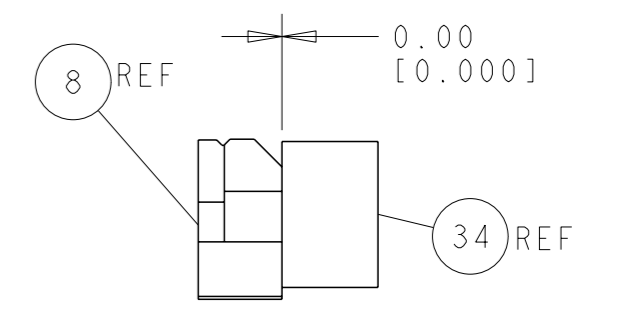
### SERVO LATCH PLATE



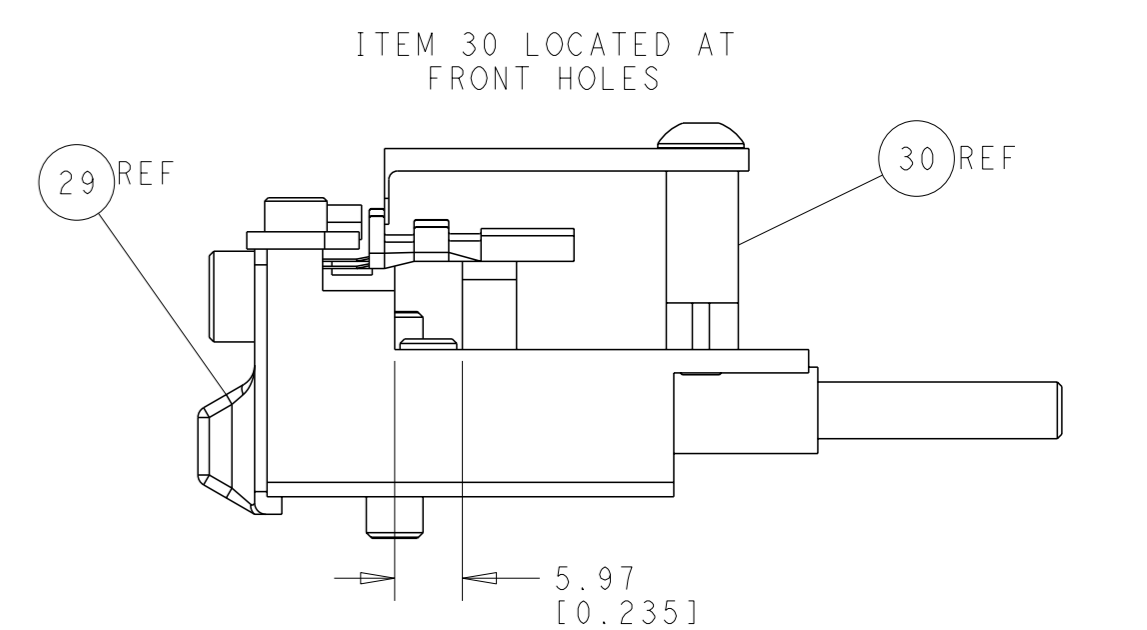
### CAM POSITIONS



SHEAR DEPRESSOR DETAIL



TERMINAL SUPPORT LOCATION



FEED TRACK POSITION GUIDE BY INSULATION BARREL

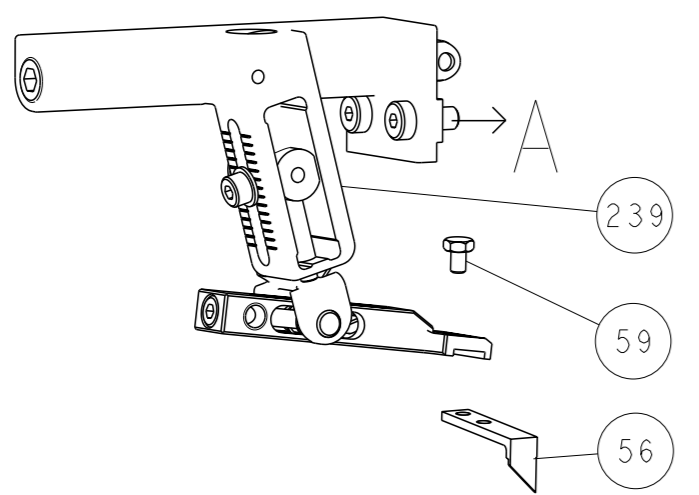
**ATLANTIC VERSION**  
 Shown on sheets 1 of 4 & 2 of 4  
 (Pacific version shown on sheets 3 of 4 & 4 of 4)

|                    |  |   |  |   |  |   |  |   |  |
|--------------------|--|---|--|---|--|---|--|---|--|
| DIMENSIONS: mm<br> |  | TOLERANCES UNLESS OTHERWISE SPECIFIED:<br>0 PLC ±.5<br>1 PLC ±0.13<br>2 PLC ±0.13<br>3 PLC ±0.013<br>4 PLC ±0.001<br>ANGLES ±.1 |  | OWN: Y. YIN 28FEB2015<br>CHK: G. BAILEY 28FEB2015<br>APVD: H. GUO 28FEB2015 |  | NAME: Ocean Side Feed Applicator<br>SIZE: A1<br>CAGE CODE: 00779<br>DRAWING NO: C=2266710 |  | RESTRICTED TO: -<br>SCALE: 1:2<br>SHEET: 2 of 4<br>REV: A |  |
| MATERIAL: -        |  |   |  | WEIGHT: -   |  | Customer Accessible Production Drawing  |  | SHEETS 3 & 4 ARE NOT REQUIRED FOR ATLANTIC VERSION        |  |

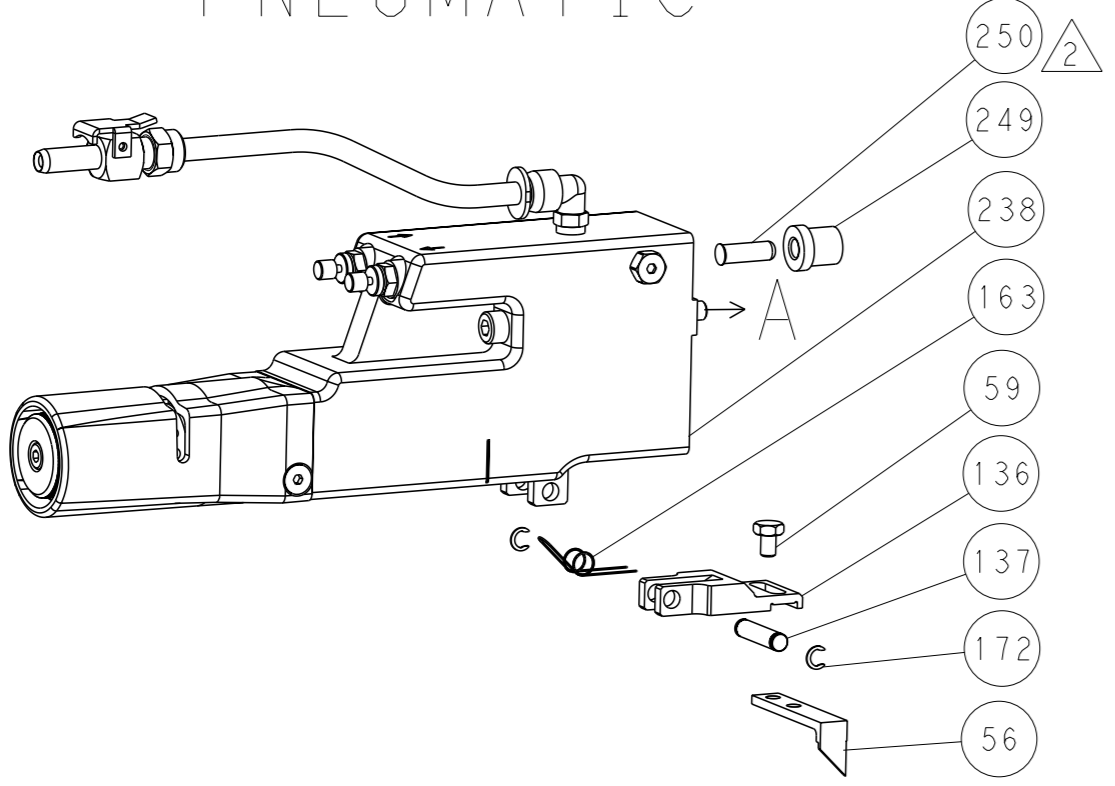


| LOC |    | DIST |     | REVISIONS   |      |     |      |
|-----|----|------|-----|-------------|------|-----|------|
| A   | 66 | P    | LYR | DESCRIPTION | DATE | OWN | APVD |
|     |    | -    |     | SEE SHEET 1 |      |     |      |

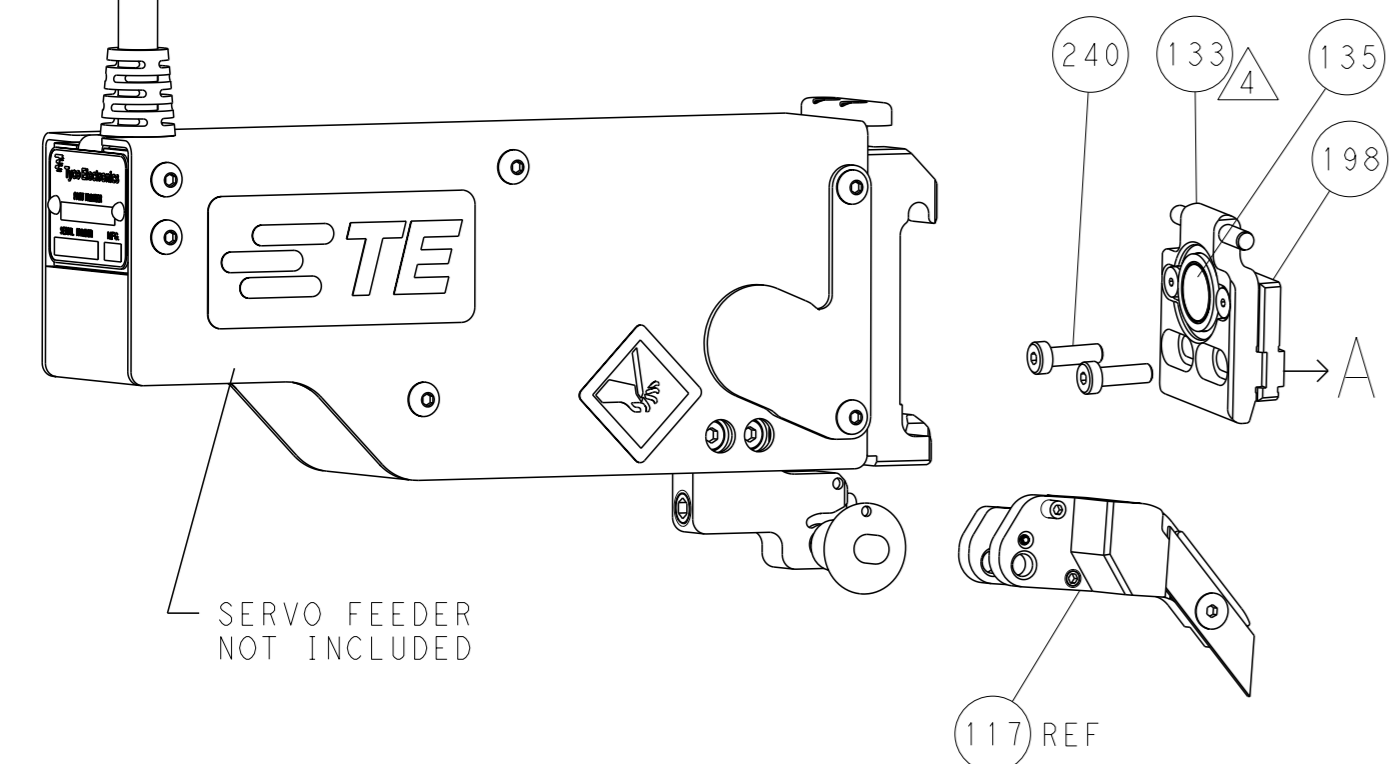
# FEED TYPE MECHANICAL



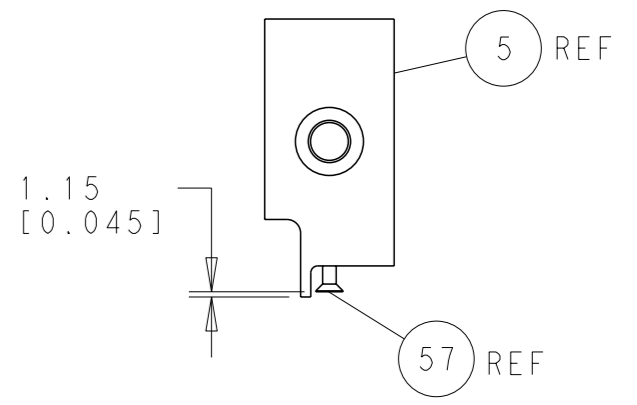
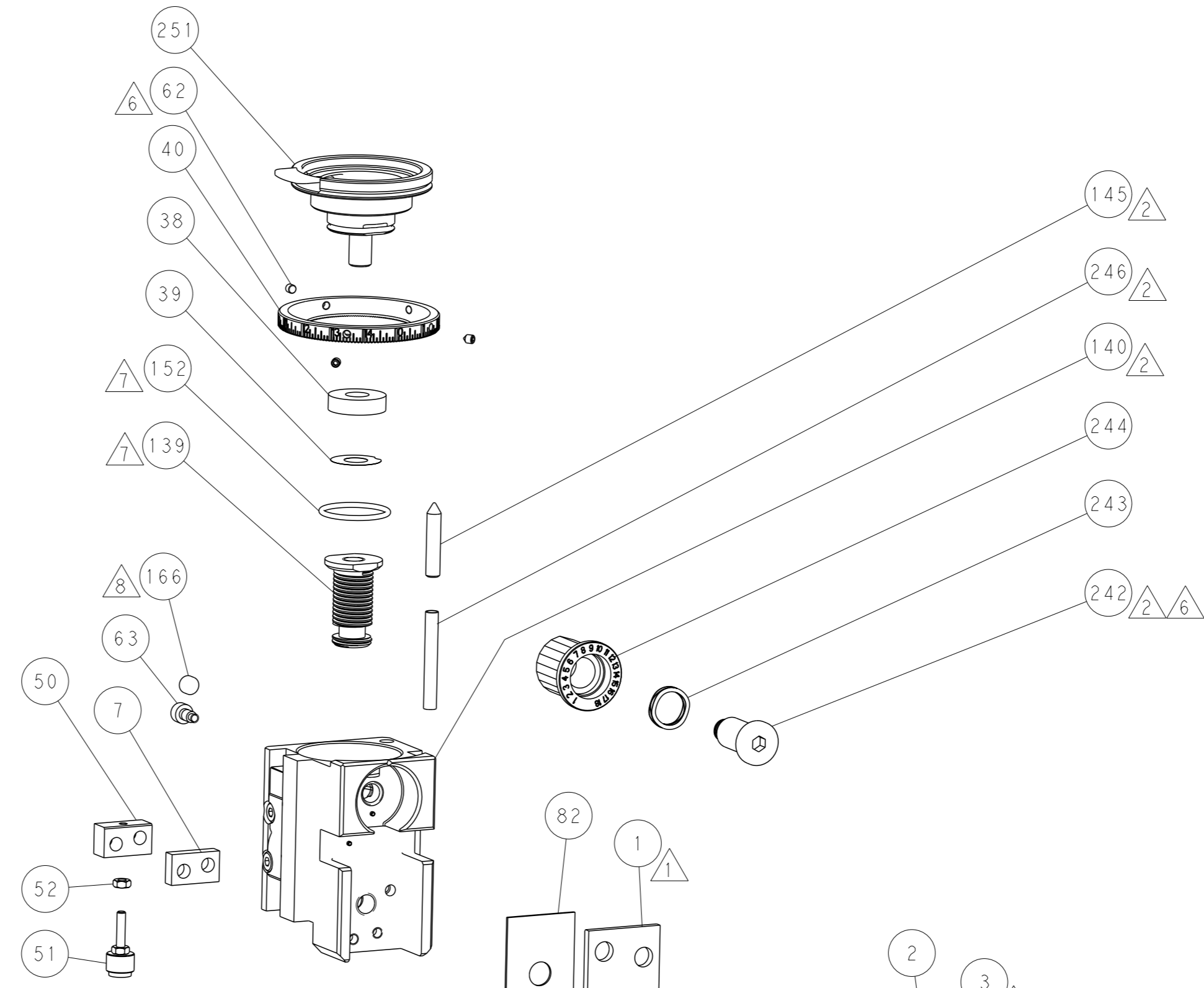
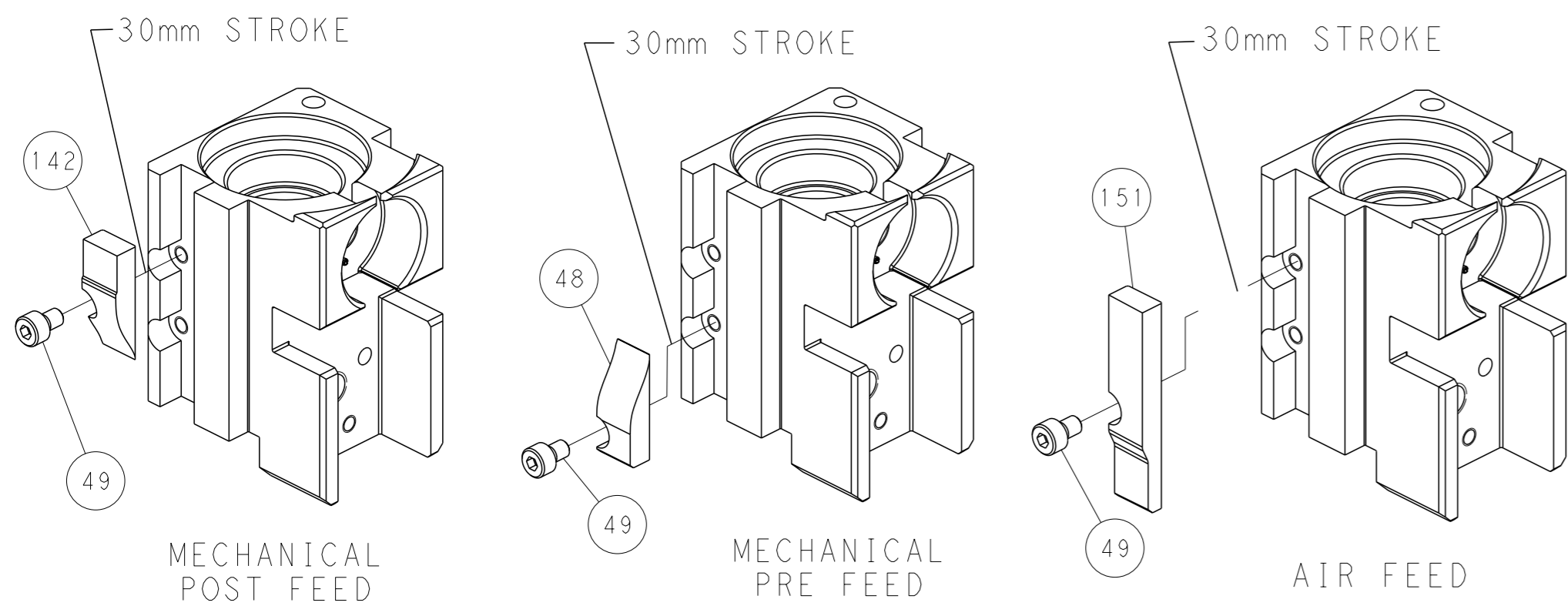
# PNEUMATIC



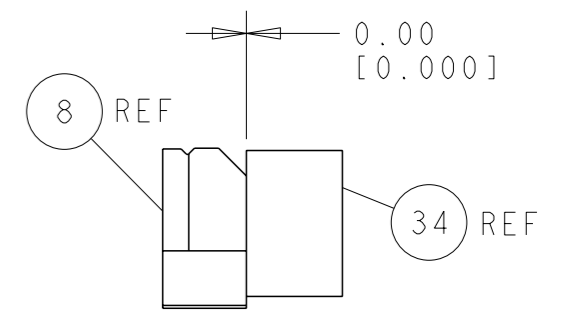
# SERVO LATCH PLATE



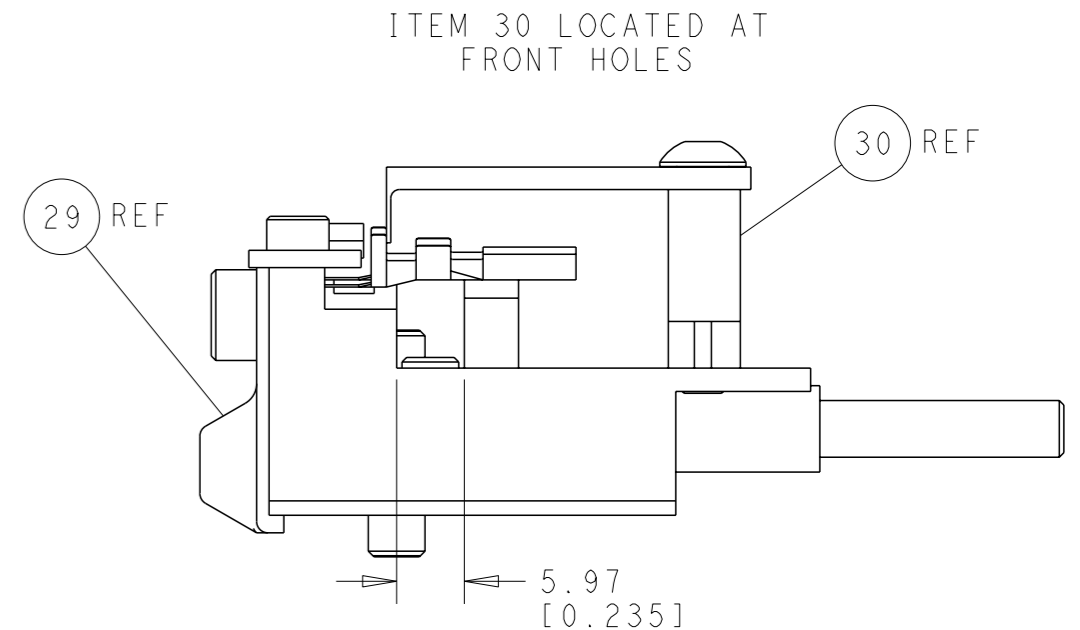
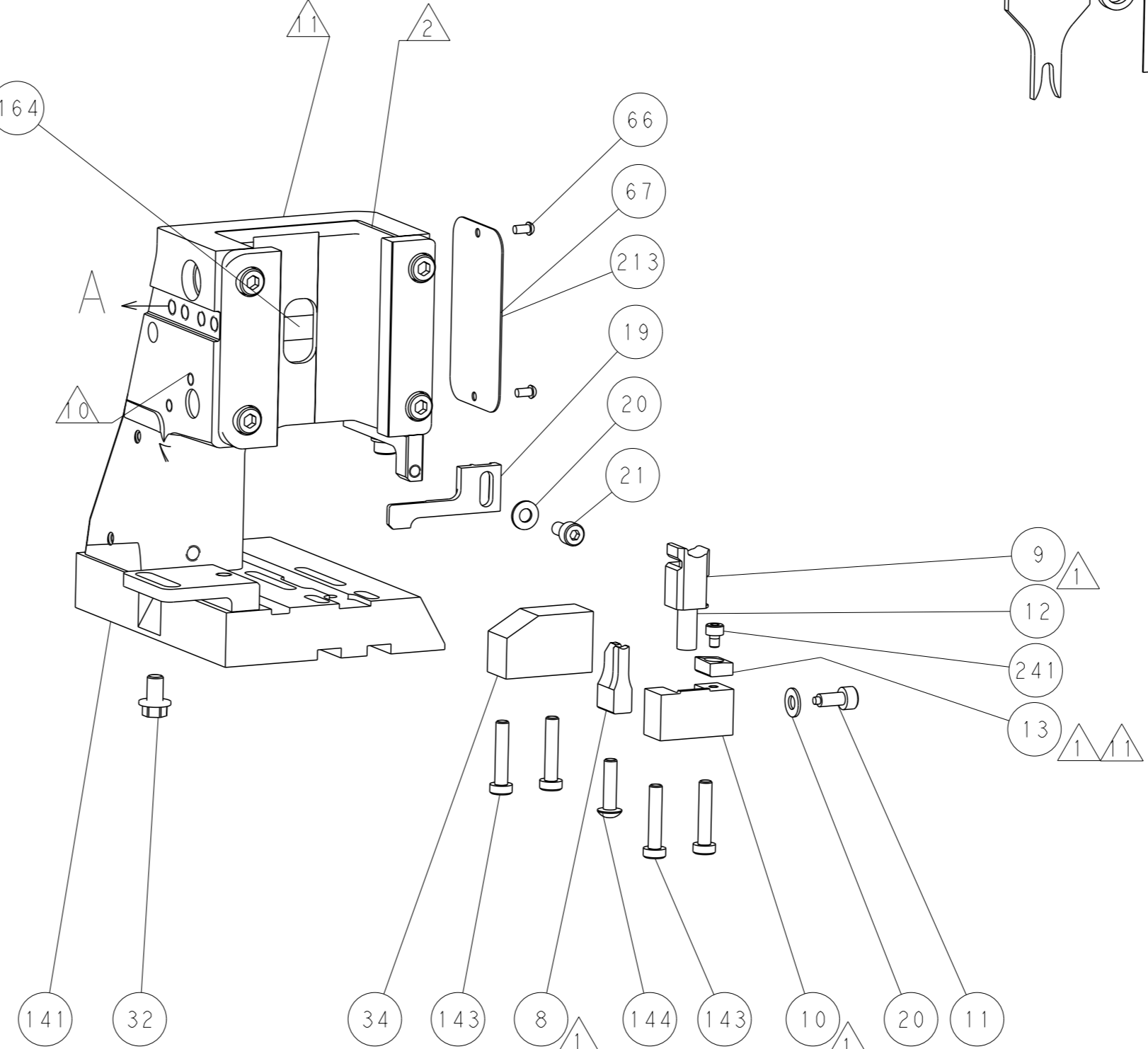
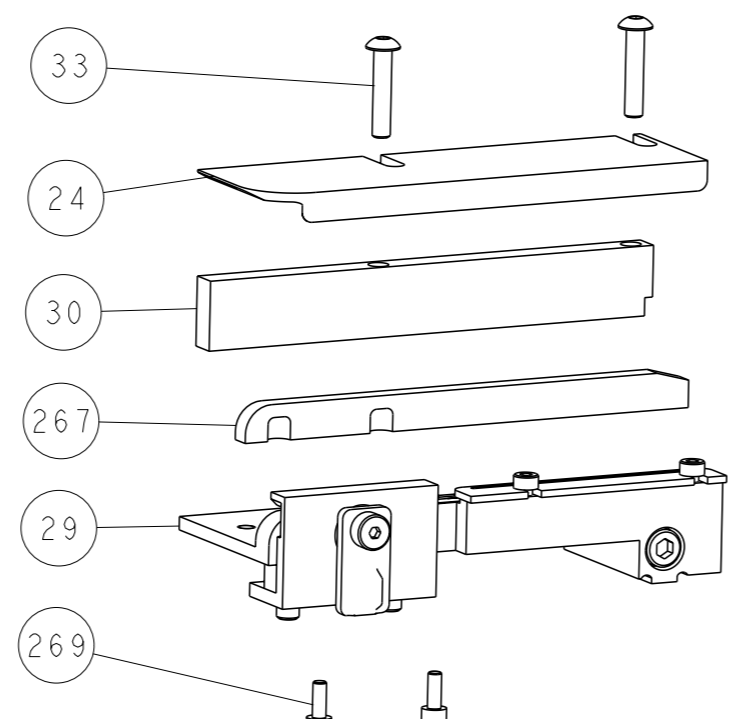
# CAM POSITIONS



SHEAR DEPRESSOR DETAIL



TERMINAL SUPPORT LOCATION



FEED TRACK POSITION GUIDE BY INSULATION BARREL

**PACIFIC VERSION**  
 Shown on sheets 3 of 4 & 4 of 4  
 (Atlantic version shown on sheets 1 of 4 & 2 of 4)

|  |  |   |   |   |
|--|--|---|---|---|
| <small>THIS DRAWING IS UNPUBLISHED. RELEASED FOR PUBLICATION. COPYRIGHT 20 BY TYCO ELECTRONICS CORPORATION. ALL RIGHTS RESERVED.</small> |  | OWN: Y. YIN<br>CHK: G. BAILEY<br>APVD: J. GUO | DATE: 28FEB2015<br>DATE: 28FEB2015<br>DATE: 28FEB2015 | NAME: Ocean Side Feed Applicator                      |
| DIMENSIONS: mm<br>0 PLC ±0.5<br>1 PLC ±0.13<br>2 PLC ±0.13<br>3 PLC ±0.001<br>4 PLC ±0.001<br>ANGLES FINISH                              | TOLERANCES UNLESS OTHERWISE SPECIFIED: | PRODUCT SPEC:                                 | APPLICATION SPEC:                                     | SIZE: A1<br>CAGE CODE: 00779<br>DRAWING NO: C=2266710 |
| MATERIAL:  |  | WEIGHT:                                       | SCALE: 1:2  | SHEET: 4 of 4<br>REV: A                               |