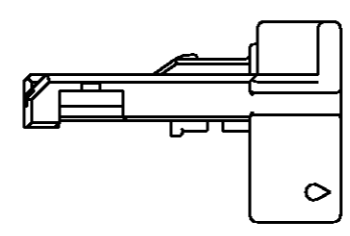
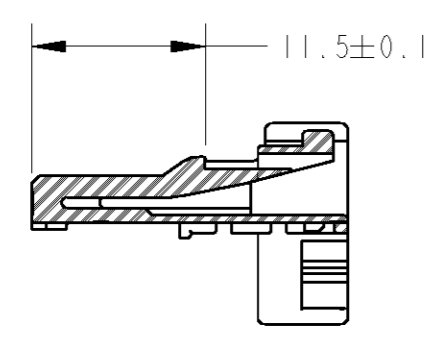
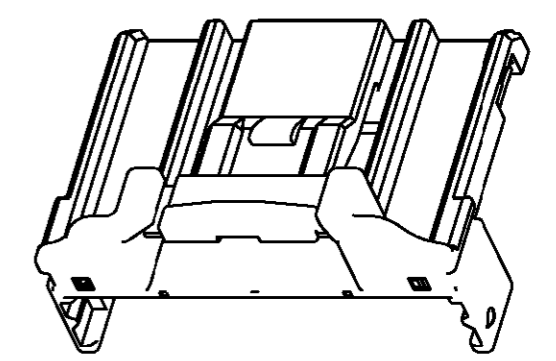
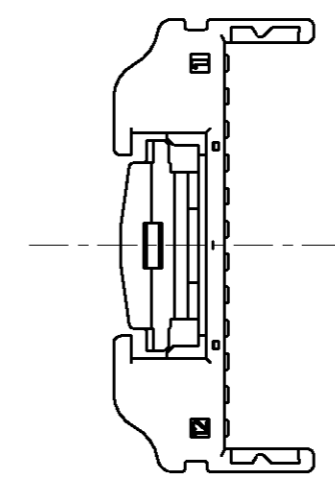
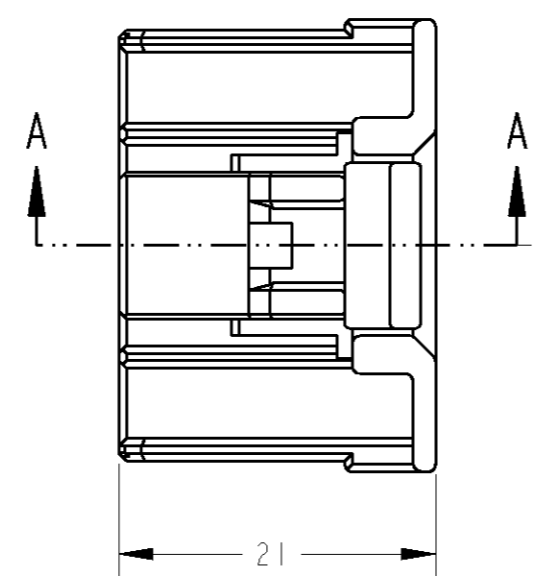
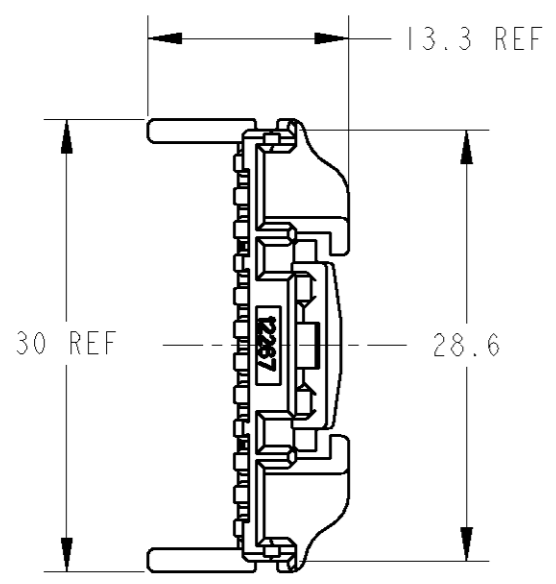


THIS DRAWING IS UNPUBLISHED. RELEASED FOR PUBLICATION 20
 © COPYRIGHT 20 BY TYCO ELECTRONICS CORPORATION. ALL RIGHTS RESERVED.

LOC	DIST	REVISIONS						
		P	LTR	DESCRIPTION	ECN	DATE	DWN	APVD
J		0		RELEASED	FJ00-2067-01	10OCT01	SA	NS



- 1. 本品はプラグハウジング型番 1473803を装着して使用する。
- 2. 取扱説明書; 411-5912
- 3. 嵌合相手型番; 1318853, 1376111, 1376103

- 1. PLUG HOUSING MUST BE USED WITH PLUG HOUSING P/N: 1473803
- 2. INSTRUCTION SHEET No; 411-5912
- 3. PART NUMBER OF HOUSINGS TO BE MATED; 1318853, 1376111, 1376103

NATURAL	1473804-1
HOUSING COLOR	PART NUMBER

THIS DRAWING IS A CONTROLLED DOCUMENT FOR TYCO ELECTRONICS CORPORATION IT IS SUBJECT TO CHANGE AND THE CONTROLLING ENGINEERING ORGANIZATION SHOULD BE CONTACTED FOR THE LATEST REVISION.		DWN	10OCT2001	Tyco Electronics AMP K.K. Kawasaki, Japan
DIMENSIONS: 単位: 英 mm		CHK	10OCT2001	
TOLERANCES UNLESS OTHERWISE SPECIFIED: 一般公差; ±0.3		APVD	10OCT2001	
0-PLC ± 1-PLC ±0.1 2-PLC ±0.01 3-PLC ±0.001 4-PLC ±0.0001 ANGLES ±3°00'		PRODUCT SPEC	108-5660	
MATERIAL 材料	PBT	FINISH 仕上	SEE TABLE	NAME 名称
		WEIGHT	1.9 g	24POSITION LOCK HOUSING 025 IDC CONNECTOR
		CUSTOMER DRAWING		SIZE
				CAGE CODE
				DRAWING NO
				114-5276
				RESTRICTED TO
				A3
				00779
				1473804
				SCALE 2:1
				SHEET 1 OF 1
				REV 0