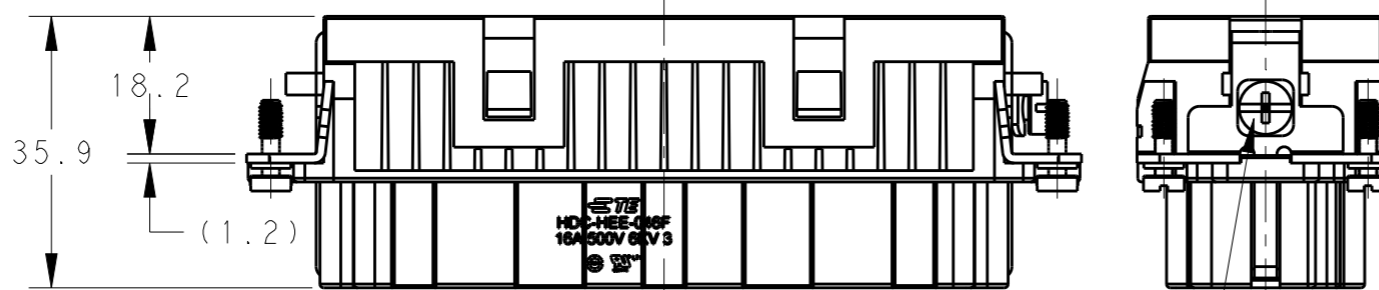
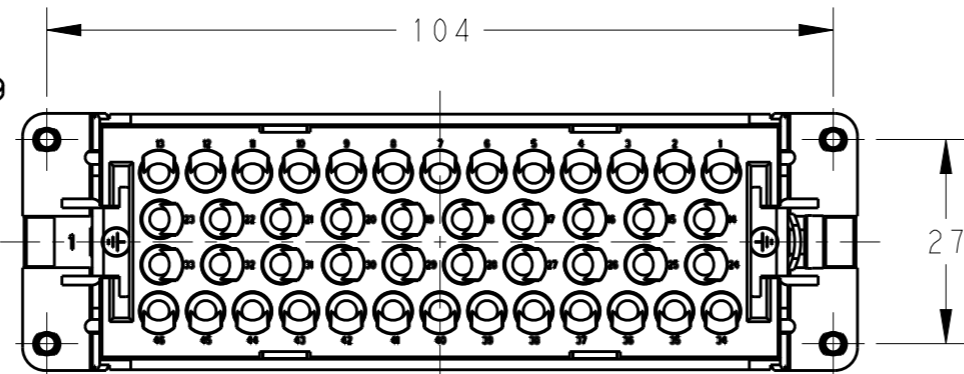
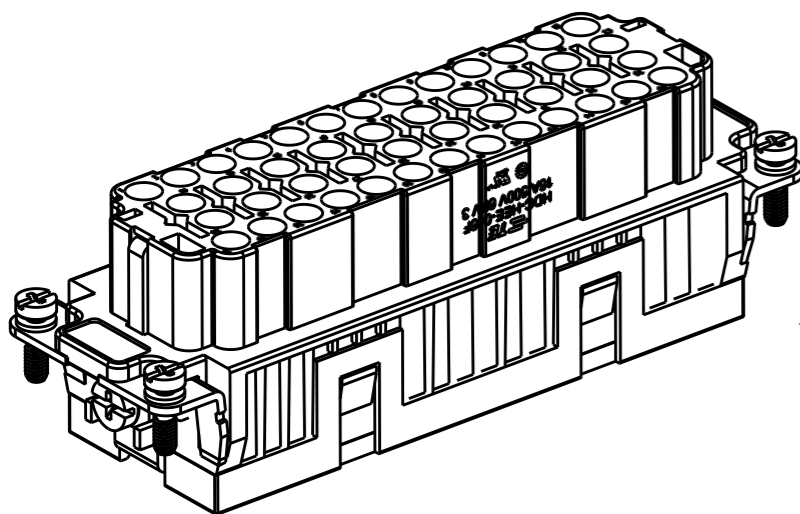


THIS DRAWING IS UNPUBLISHED. RELEASED FOR PUBLICATION 20
 © COPYRIGHT 20 BY - ALL RIGHTS RESERVED.

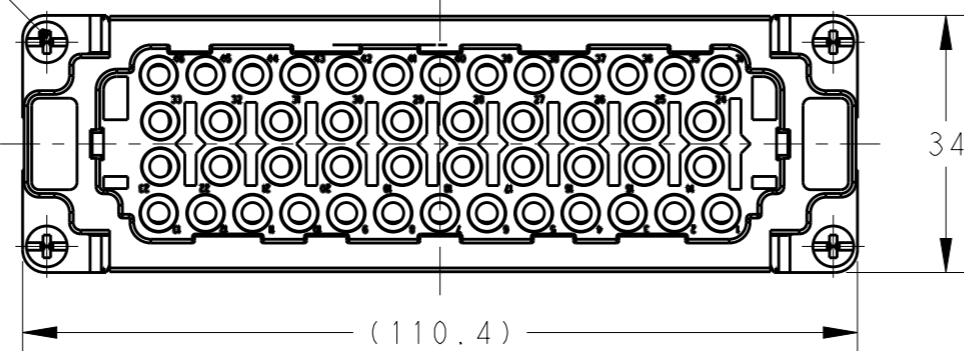
REVISIONS

P	LTR	DESCRIPTION	DATE	DWN	APVD
A2		ECR-15-004309	18MAR2015	DW	CW
A3		ECR-15-007632	25MAY2015	DW	CW
B		ECR-15-014907	14OCT2015	DL	CW
B1		ECR-16-011987	08NOV2016	QY	CW



M4 SCREW, RECOMMENDED
 TIGHTENING TORQUE 1.2Nm
 M4螺丝, 推荐锁紧力矩 1.2Nm

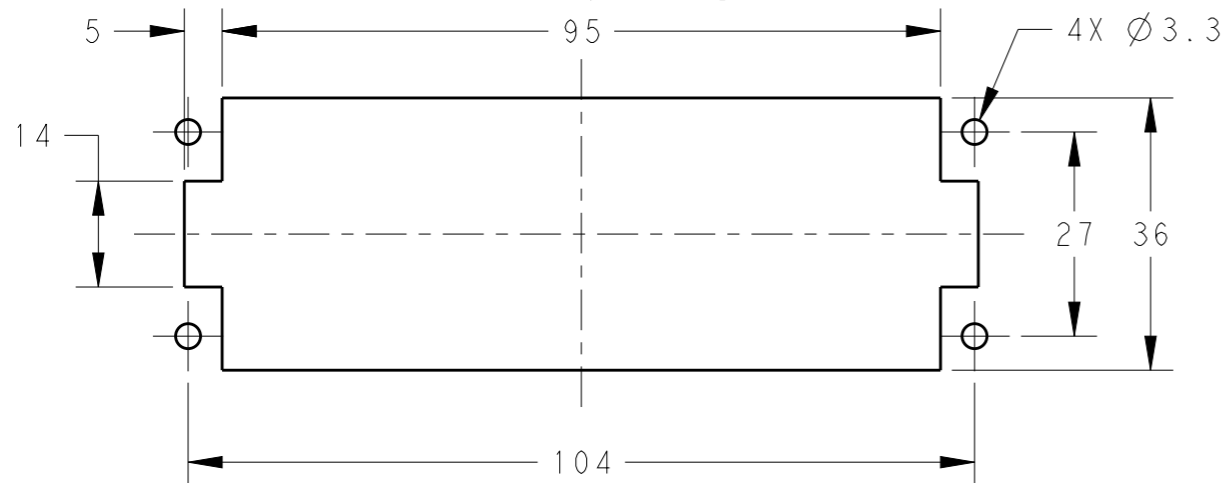
4X M3 SCREW, RECOMMENDED
 TIGHTENING TORQUE 0.5Nm
 4X M3螺丝, 推荐锁紧力矩 0.5Nm



- NOTES:
- TECHNICAL CHARACTERISTICS:
 INSULATION MATERIAL: PC
 RATED VOLTAGE: 500 V
 RATED CURRENT: 16 A
 INSULATION RESISTANCE: $\geq 400M\Omega$
 RATED IMPULSE VOLTAGE: 6 KV
 POLLUTION DEGREE: 3
 FLAMMABILITY: UL94V-0
 MATING CYCLES: 500 CYCLES
 OPERATION TEMPERATURE: $-40-+125^{\circ}C$
 WIRE RANGE: 0.14-4 mm² (26-12 AWG)
 CONTACT TYPE: CRIMP CONTACT
 - CONTACT NEED TO BE ORDERED SEPARATELY.
 (ORDER No. REFER TO DRAWING: T20300X20XX000)

- 注释:
- 技术参数:
 绝缘材料: PC
 额定电压: 500V
 额定电流: 16A
 绝缘电阻: $\geq 400M\Omega$
 额定脉冲电压: 6 KV
 污染等级: 3
 阻燃等级: UL94V-0
 插拔次数: 500次
 工作温度: $-40-+125^{\circ}C$
 接线范围: 0.14-4 mm² (26-12 AWG)
 接线类型: 冷压接
 - 端子需要单独订购。
 (订货号参考图面: T20300X20XX000)

PANEL CUT FOR INSERTS FOR USE
 WITHOUT HOODS/ HOUSINGS
 不使用防护外壳时芯件的安装开孔图



TYPE 1, T2050462201-000, WITH TE LOGO
 类型 1, T2050462201-000, TE LOGO

THIS DRAWING IS A CONTROLLED DOCUMENT.		DWN 11JUN2014 David Wang		TE Connectivity	
DIMENSIONS: mm		CHK 11JUN2014 Chris Wang			
TOLERANCES UNLESS OTHERWISE SPECIFIED:		APVD 11JUN2014 Xiang Xu		NAME HEE-046-F	
0 PLC ±-		PRODUCT SPEC 108-106137		SIZE	
1 PLC ±-		APPLICATION SPEC 114-106137		CAGE CODE	
2 PLC ±-		WEIGHT		DRAWING NO	
3 PLC ±-		Customer Drawing		A300779	
4 PLC ±-		SCALE 1:1		SHEET 1 OF 2	
ANGLES ±-		RESTRICTED TO		REV B1	
FINISH					
MATERIAL					

THIS DRAWING IS UNPUBLISHED.

RELEASED FOR PUBLICATION

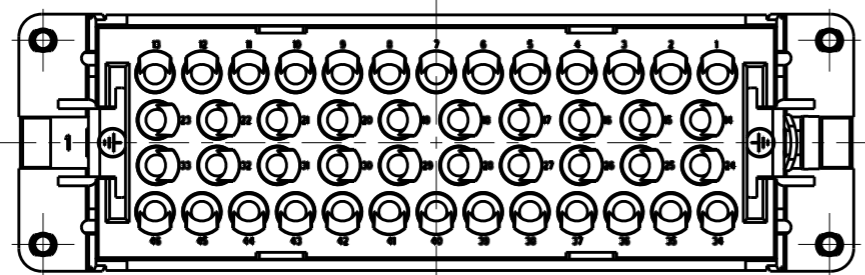
20

© COPYRIGHT 20 BY -

ALL RIGHTS RESERVED.

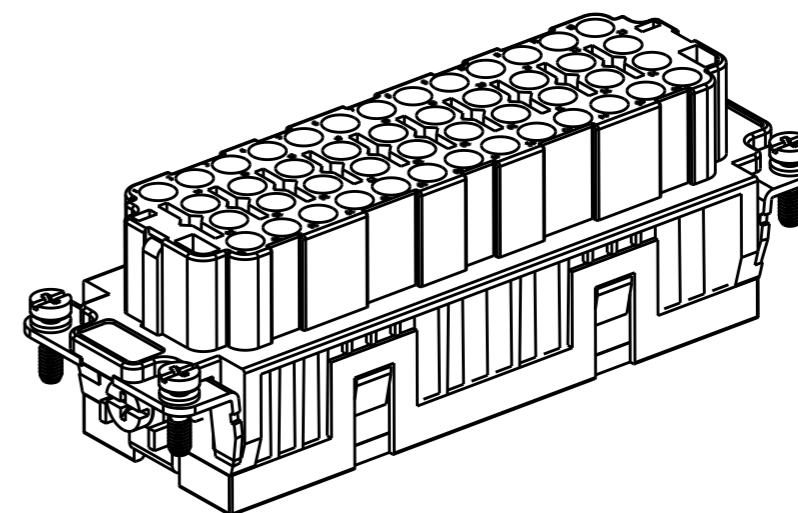
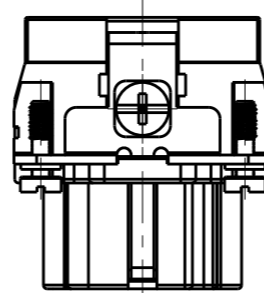
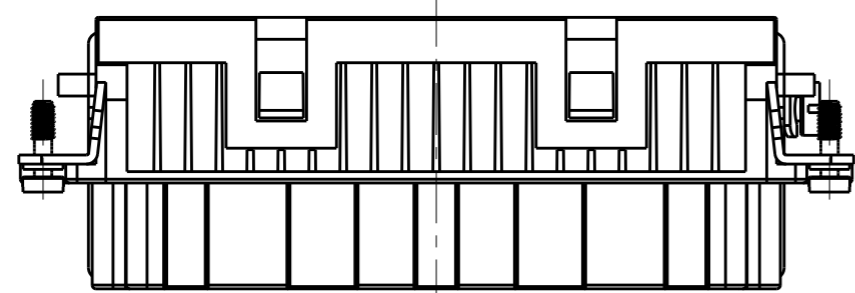
REVISIONS

P	LTR	DESCRIPTION	DATE	DWN	APVD
-		SEE SHEET 1	-	-	-

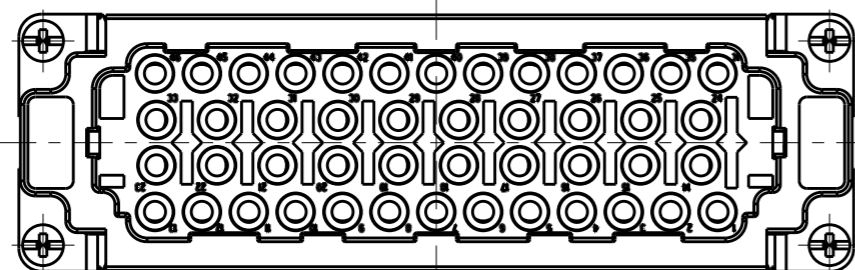


NOTE:
ALL SPEC REFER TO TYPE 1

注释:
所有产品规范参照 TYPE 1



TYPE-2, T2050462201-002, WITH STAINLESS STEEL SCREW, WITHOUT LOGO
类型-2, T2050462201-002, 带不锈钢螺丝, 无LOGO



T2050462201-002	HEE-046-F	HEE-046 FEMALE INSERT, WITH STAINLESS STEEL SCREW, WITHOUT LOGO HEE-046 母插, 带不锈钢螺丝, 无LOGO	TYPE-2 类型-2
T2050462201-000	HEE-046-F	HEE-046 FEMALE INSERT HEE-046 母插	TYPE-1 类型-1
PART NUMBER 料号	PART DESCRIPTION 描述		TYPE 类型

THIS DRAWING IS A CONTROLLED DOCUMENT.		DWN David Wang 11JUN2014		
DIMENSIONS: mm		CHK Chris Wang 11JUN2014		
TOLERANCES UNLESS OTHERWISE SPECIFIED:		APVD Xiang Xu 11JUN2014	NAME HEE-046-F	
0 PLC ±-		PRODUCT SPEC 108-106137	SIZE	
1 PLC ±-		APPLICATION SPEC 114-106137	CAGE CODE	
2 PLC ±-		WEIGHT -	DRAWING NO	
3 PLC ±-		Customer Drawing	RESTRICTED TO	
4 PLC ±-			A300779 © T2050462201000	
ANGLES ±-			SCALE 1:1	
FINISH			SHEET 2 OF 2	
-			REV B1	
-				