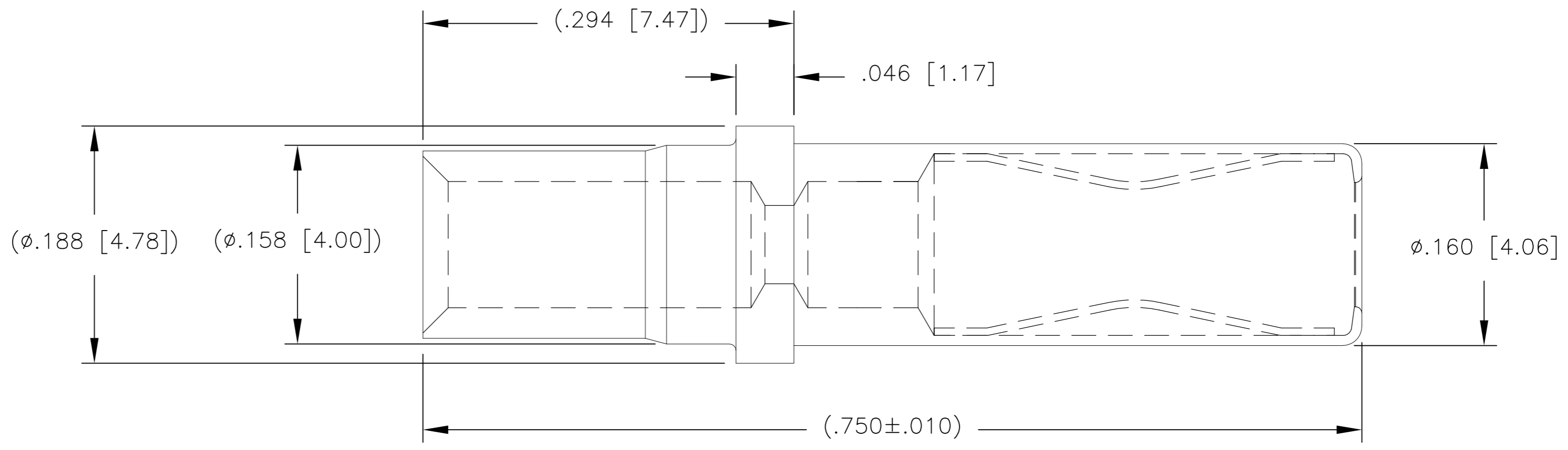


THIS DRAWING IS UNPUBLISHED. RELEASED FOR PUBLICATION
 © COPYRIGHT - By - ALL RIGHTS RESERVED.

EC		LOC	DIST	REVISIONS		
CPR		-	-	P	LTR	DESCRIPTION
				B1		REVISED PER ECO-11-005150
					DATE	DWN
					21MAR11	RK
						APVD
						HMR



- 4. FINISHES:
 SOCKET BODY: SILVER PLATED.
 CROWN: GOLD PLATED.
- 3. MATERIALS:
 SOCKET BODY: COPPER ALLOY.
 CROWN: BeCu
- 2. ITEMS PROVIDED TO THIS SPECIFICATION SHALL BE IDENTIFIED WITH THE FOLLOWING MINIMUM INFORMATION ON THE SHIPPING PACKAGE MFG IDENT, PART NUMBER AND DATE CODE OF MANUFACTURE.
- 1. PART NUMBER AND/OR DESIGN CHANGES AFFECTING ITEM INTERCHANGEABILITY REQUIRE PRIOR TE CONNECTIVITY APPROVAL AND AUTHORIZATION BY REVISION TO THIS DRAWING.

NOTES: UNLESS OTHERWISE SPECIFIED

THIS DRAWING IS A CONTROLLED DOCUMENT.		DWN	12/05/05	STE TE Connectivity	
		CHK	LOVATO/M. ALIM		
DIMENSIONS: INCH(MM)		TOLERANCES UNLESS OTHERWISE SPECIFIED:		APVD	12/05/05
		0 PLC	± -	NAME	
		1 PLC	± -	D. CHAU	
		2 PLC	± 0.02(0.5)	PRODUCT SPEC	
		3 PLC	± 0.010(0.25)	APPLICATION SPEC	
MATERIAL		FINISH	WEIGHT	SIZE	CAGE CODE
-		-	-	A2	00779
				DRAWING NO	
				C=6648318	
				RESTRICTED TO	
				-	
				CUSTOMER DRAWING	
				SCALE	10:1
				SHEET	1 of 1
				REV	B1