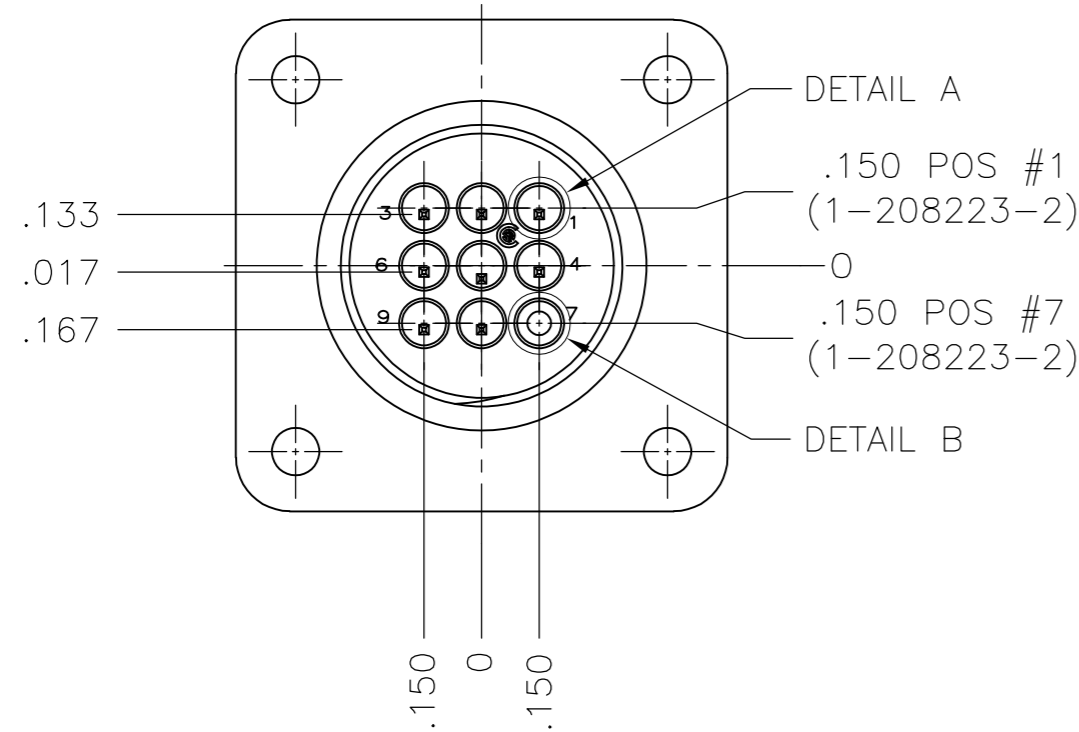
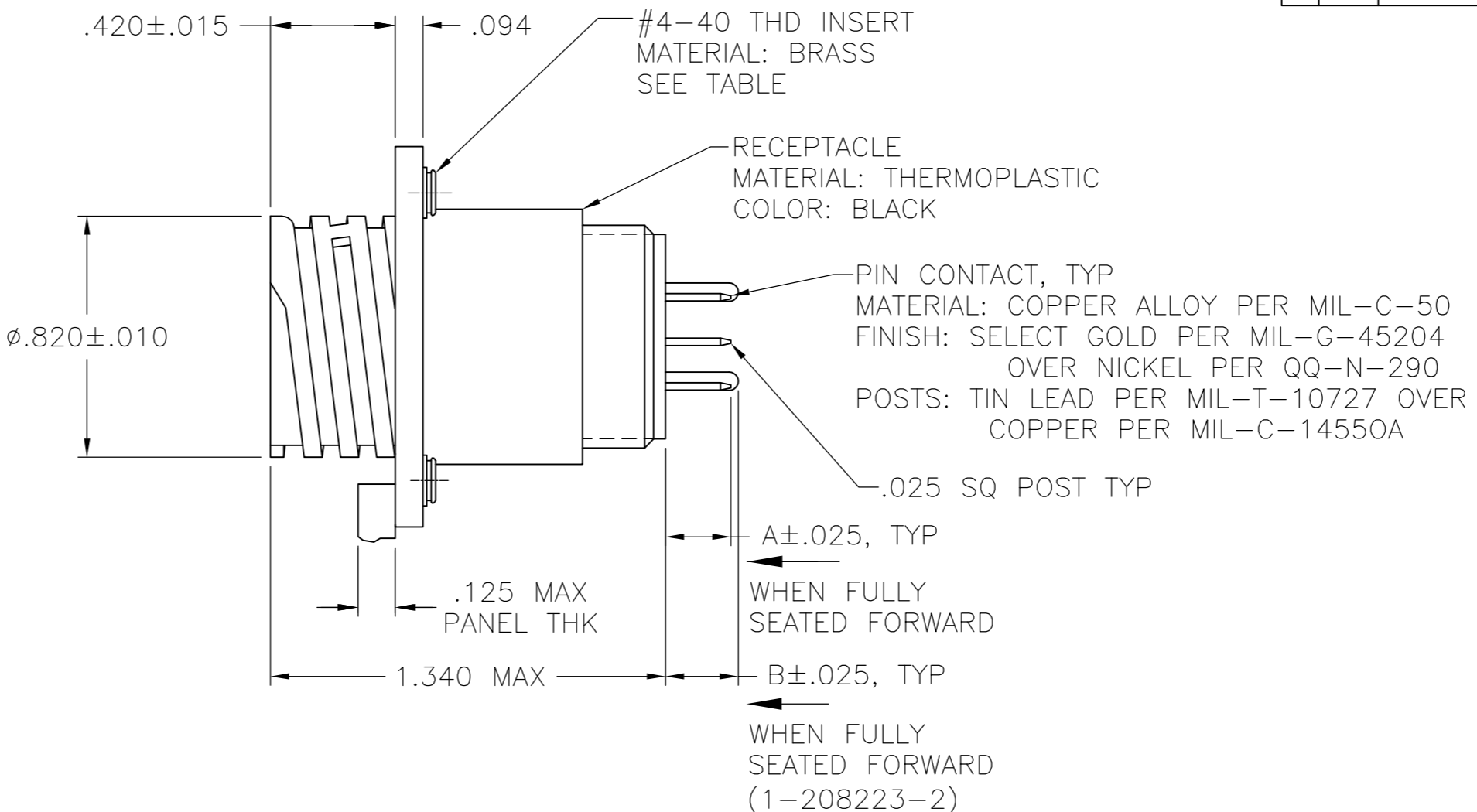
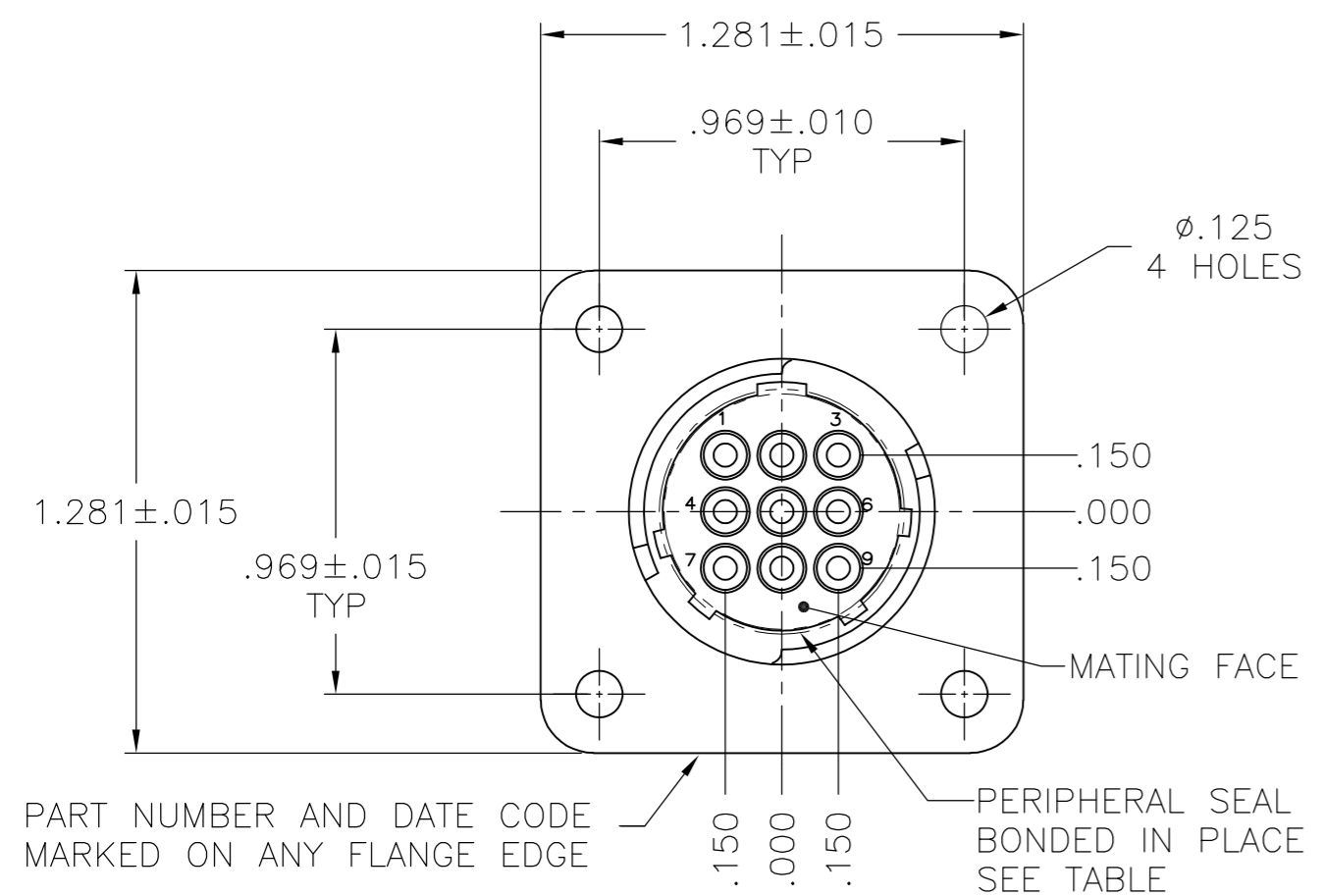
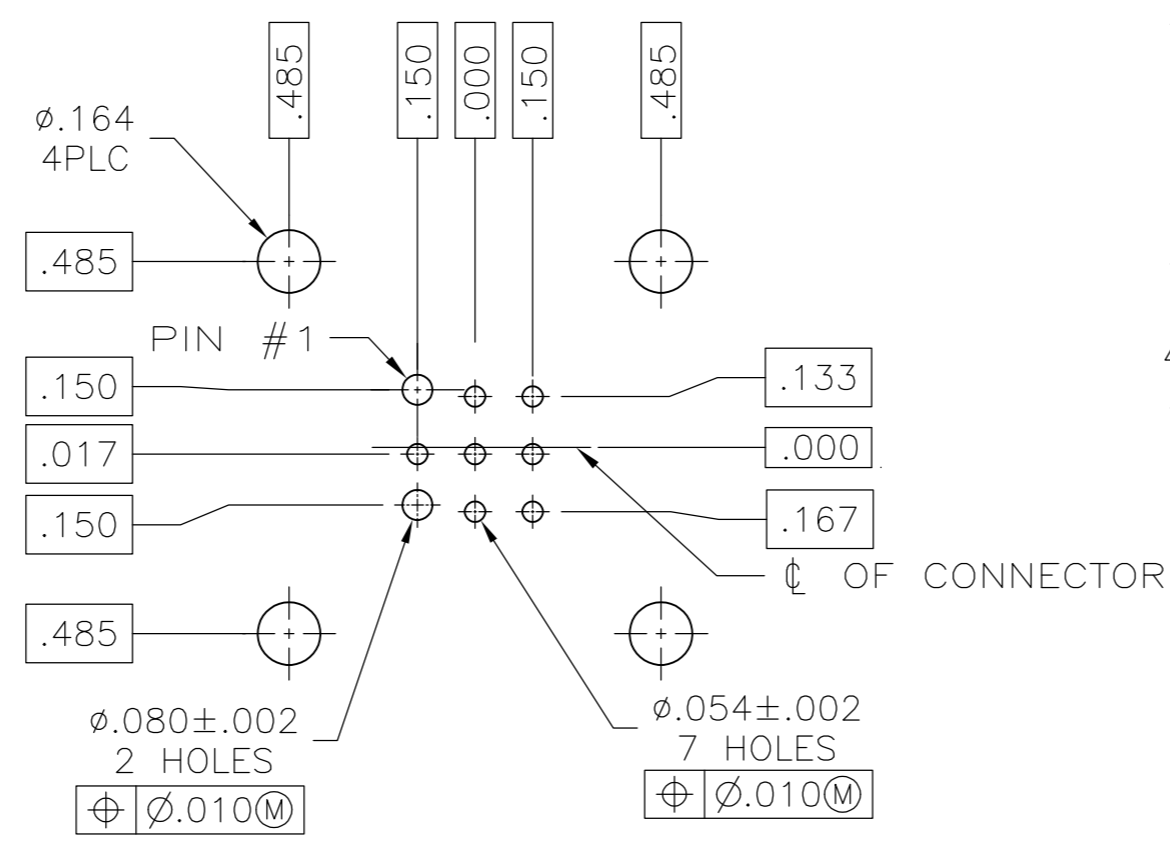
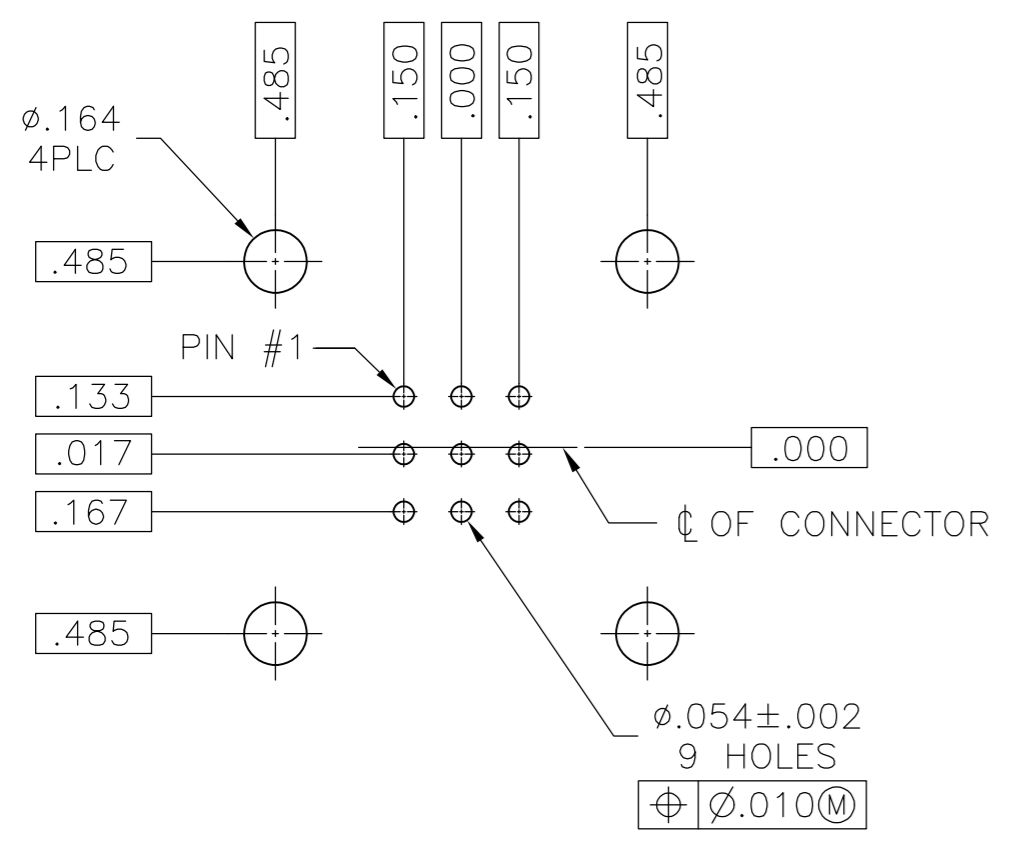


THIS DRAWING IS UNPUBLISHED. RELEASED FOR PUBLICATION  
 © COPYRIGHT - By - ALL RIGHTS RESERVED.

REVISIONS				
P	LTR	DESCRIPTION	DATE	APVD
U		REVISED PER ECO-16-009792	2JUL2016	NK MZ
V		REVISED PER ECO-17-004657	06APR2017	BDA MZ



- 1 1-66460-0 WILL BE SELECTIVELY LOADED INTO POSITIONS 2, 4, 6, 7, 9 AND 66464-3 WILL BE LOADED INTO POSITIONS 1, 3, 5, 8 OF THE HOUSING.
- 2 LOAD ALL POSITIONS EXCEPT POSITION NUMBER 4.
- 3 TIN PLATED CONTACTS.
- 4 194264-1 LOADED INTO POSITIONS 1 & 7.
- 5 OBSOLETE PARTS: OBSOLETE CIS STREAMLINING PER D.RENAUD/D.SINISI.



4	3	3	3	2	5	1				
OBSOLETE		.130	YES	YES			1-208223-3			
OBSOLETE		.245	NO	YES			1-208223-2			
	3		YES	YES			1-208223-1			
	3		NO	YES			1-208223-0			
	3		NO	NO			208223-9			
OBSOLETE		.220	YES	NO			208223-8			
OBSOLETE		.220	NO	NO			208223-7			
OBSOLETE		.618	NO	YES			208223-6			
OBSOLETE		.220	YES	YES			208223-5			
OBSOLETE		.220	NO	NO			208223-4			
			NO	YES			208223-3			
OBSOLETE		.429	NO	NO			208223-2			
		.220	NO	NO			208223-1			
								B	A	PERIPHERAL SEAL
										THREADED INSERTS
										PART NUMBER

THIS DRAWING IS A CONTROLLED DOCUMENT. DWN R.LEE BG 6-22-91  
 CHK W.G.LENKER 4-14-92  
 APVD -  
 PRODUCT SPEC 108-10024  
 APPLICATION SPEC -  
 MATERIAL SEE CALLOUT FINISH SEE CALLOUT  
 WEIGHT -  
 CUSTOMER DRAWING

TE Connectivity  
 RECEPTACLE ASSEMBLY, POSTED, STD SEX, SERIES 1, 13-9, CPC  
 SIZE A2 CAGE CODE 00779 DRAWING NO C=208223 RESTRICTED TO -  
 SCALE 2:1 SHEET 1 of 1 REV V