

The **RF Dimmer with Wireless Remote** is a simple, convenient solution for dimming Inspired LED plug-in systems with ease. Compatible with 3.5 mm 12V DC power supplies and Inspired LED light products, this control device provides a range of brightness levels from 0-100% with the turn of a wheel. Buttons allow the entire system to be turned on and off, while smart memory functions retain previous dimming settings.



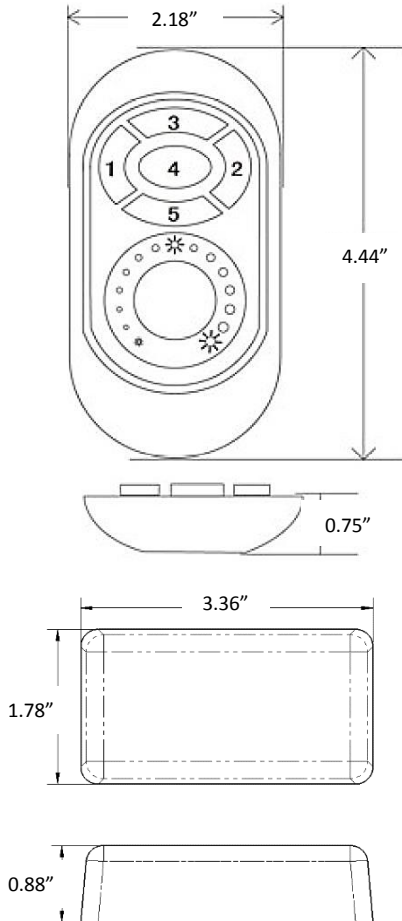
Wireless Remote

Dimming Receiver

### Product Features:

- Remote requires AAA batteries (included)
- Max Load- 6 AMPS
- Compatible with 12V DC power supplies
- Standard 3.55 x 1.3 mm input/output
- Quick-button functions (On, Off, High, Medium, Low)
- RF range up to 30 meters
- Wall mount for remote sold separately

### Specifications:



### Instructions:

#### To Install-

1. Install LED lights according to their instructions
2. Plug 12V DC power supply into side of receiver marked "power"
3. Connect lights to side of receiver marked "LED"
4. Select desired brightness level by using touch wheel
5. Press orange buttons to quickly turn system on and off
6. Press green buttons to quickly select high, medium, or low settings

#### To Pair Remote to Receiver-

1. Plug 12V DC power supply into side of receiver marked "power"
2. Within 3 seconds of connecting power press the top green key **once**
3. Connected lights will blink three times to indicate successful pairing
4. Repeat steps 1-3 to pair additional remotes
5. Once completed, test each remote for control

#### To Remove Remote from Receiver-

1. Plug 12V DC power supply into side of receiver marked "power"
2. Within 3 seconds of connecting power press the top green key **five times** in a row
3. Disconnected lights will blink six times to indicate successful disassociation of remote

**Note- Avoid contact with touch wheel for 3 seconds after loading new batteries in order to protect sensitivity of remote, if functionality is lost, remove and reload batteries**

