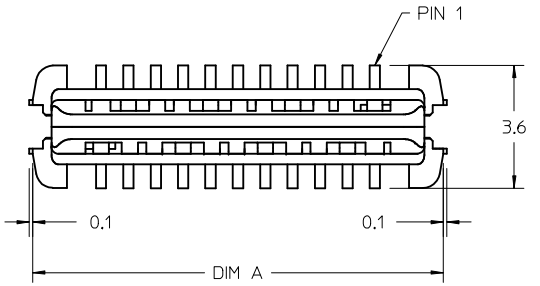
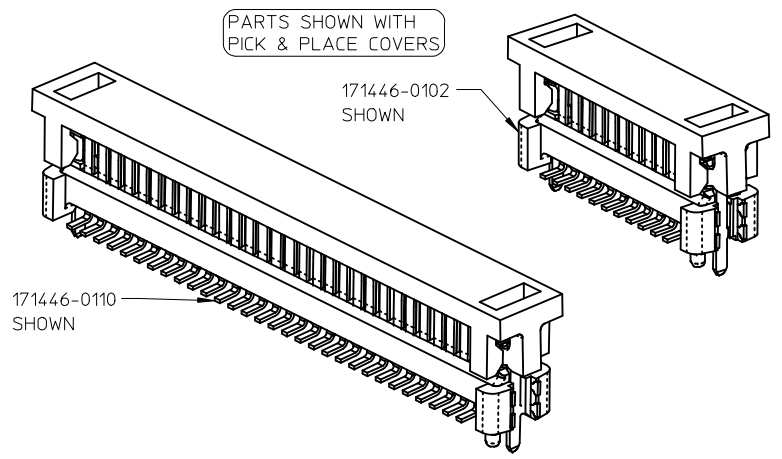
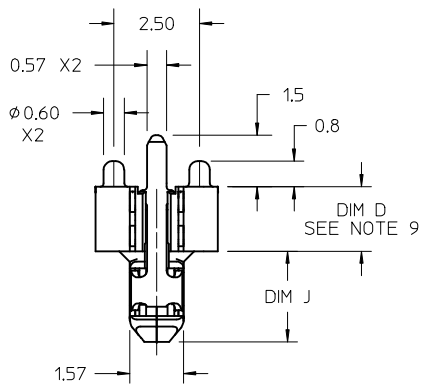
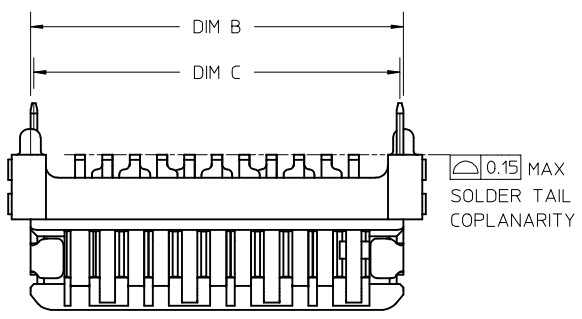


10 9 8 7 6 5 4 3 2 1



- NOTES:
1. MATERIALS: HOUSING: LCP, UL94V-0, BLACK
CONTACTS: HIGH PERFORMANCE COPPER ALLOY
 2. FINISH: 0.76 μ m MIN SELECT GOLD IN CONTACT AREA
SELECT TIN IN TAIL AREA, OVERALL NICKEL
 3. PRODUCT SPECIFICATION: PS-171446-0001
 4. PACKAGING SPECIFICATION: TAPE AND REEL
PER PK-70873-6003
 5. MATES WITH SPEEDSTACK RECEPTACLE: 171450
 6. APPLICATION SPECIFICATION: AS-171450-9998
 7. COSMETIC SPECIFICATION: PS-45499-002 CLASS B
 8. PART STATUS: CONTACT MOLEX
 9. DIM D ON THIS DRAWING PLUS DIM D ON DRAWING # SD-171450-0000 EQUALS THE SYSTEM MATED STACK HEIGHT
 10. PARTS TO BE SHIPPED WITH PICK & PLACE COVERS.

PART NUMBER	CKT SIZE	DIFF PAIRS	SPARE CKTS	DIM A	DIM B	DIM C	DIM D	DIM J
171446-0101							0.90	
171446-0102							1.90	2.6
171446-0103							2.90	
171446-0104							3.90	
171446-0105	22	6	2	12.0	10.90	10.70	0.90	3.6
171446-0106							1.90	
171446-0107							2.90	
171446-0108							3.90	
171446-0109							0.90	
171446-0110							1.90	2.6
171446-0111							2.90	
171446-0112							3.90	
171446-0113	60	16	8	27.2	26.10	25.90	0.90	3.6
171446-0114							1.90	
171446-0115							2.90	
171446-0116							3.90	

REVISED EC NO: UCP2014-4032 DRWN: JBINGHAM 2014/03/27 CHKD: RNELSON 2014/03/27 APPR: JLAURX 2014/05/09 REV DESCRIPTION	QUALITY SYMBOLS	GENERAL TOLERANCES (UNLESS SPECIFIED)	DIMENSION STYLE MM ONLY	SCALE 7:1	DESIGN UNITS METRIC	THIRD ANGLE PROJECTION
		mm INCH	DRAWN BY DATE TGREGORI 2013/03/27	TITLE PLUG ASSEMBLY SPEEDSTACK CONNECTOR		
		4 PLACES ± --- ± ---	CHECKED BY DATE	MATERIAL NO.		
		3 PLACES ± --- ± ---	APPROVED BY DATE JCOMERC I 2013/04/25	DOCUMENT NO. SD-171446-0000		
		2 PLACES ± 0.13 ± ---		SHEET NO. 1 OF 3		

1 PLACE ± 0.25 ± ---
0 PLACE ± --- ± ---

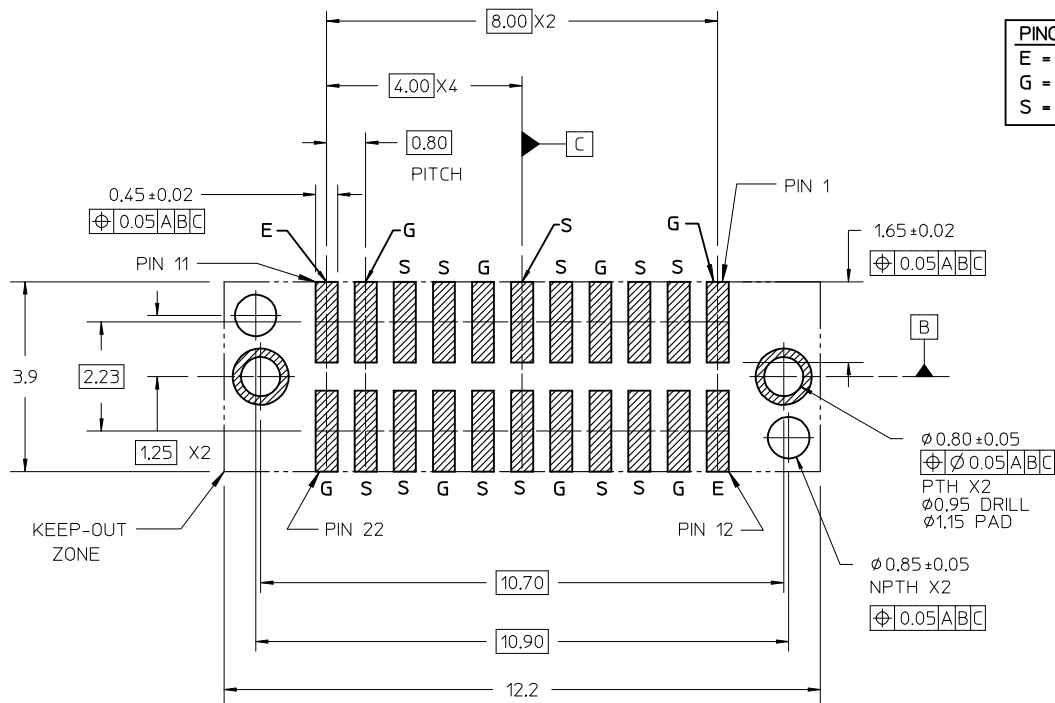
ANGULAR ± 1/2°
DRAFT WHERE APPLICABLE
MUST REMAIN WITHIN DIMENSIONS

SIZE B

THIS DRAWING CONTAINS INFORMATION THAT IS PROPRIETARY TO MOLEX INCORPORATED AND SHOULD NOT BE USED WITHOUT WRITTEN PERMISSION

9 8 7 6 5 4 3 2 1

PCB LAYOUT - 22 CKT



PINOUT LEGEND	
E	= EXTRA
G	= GROUND
S	= SIGNAL

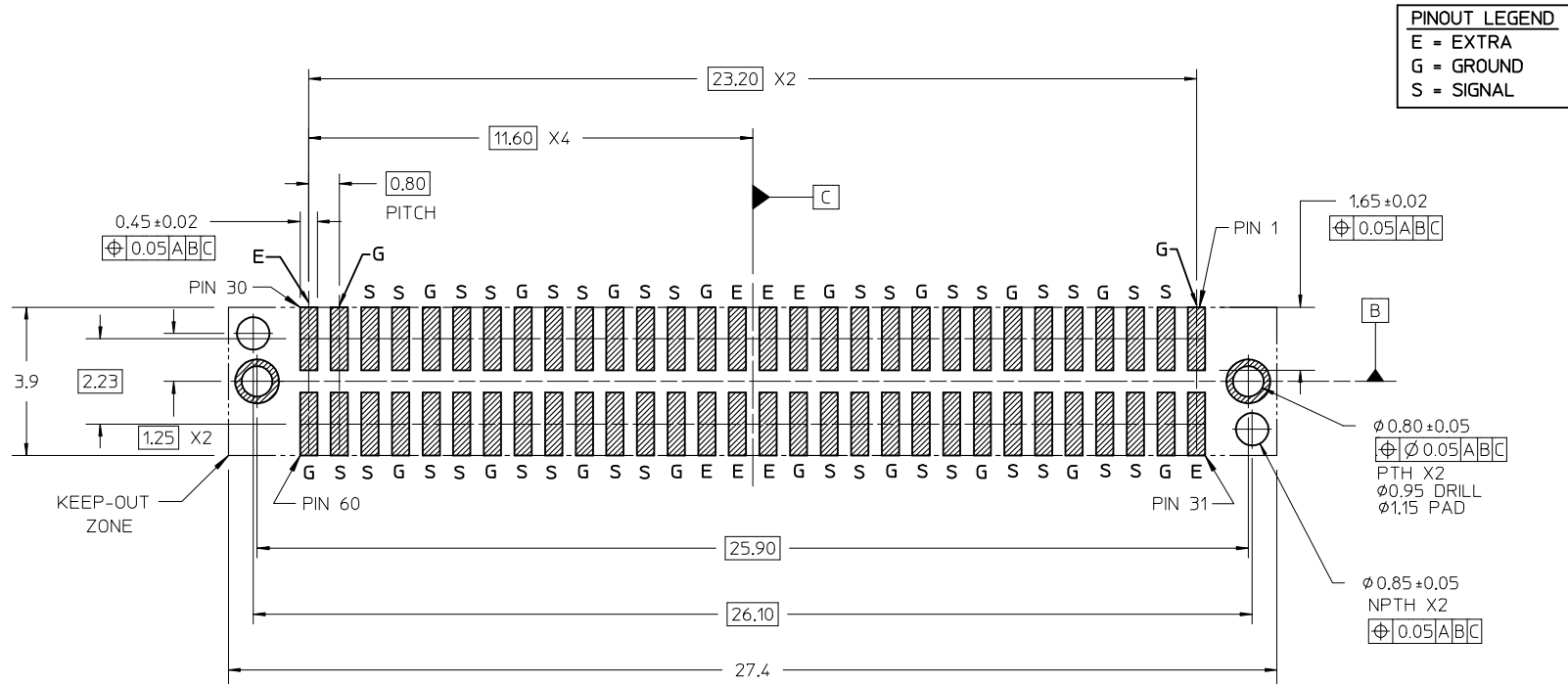
PCB LAYOUT (COMPONENT SIDE)

SOLDER PASTE THICKNESS: 0.15 MIN
 DATUM **A** IS THE BOTTOM SURFACE OF THE PCB

NOTE:
 PIN NUMBERING IS FOR REFERENCE ONLY.
 OTHER PIN NUMBERS WILL NOT AFFECT THE
 OPERATION OF THE CONNECTOR.

REV	DESCRIPTION	QUALITY SYMBOLS	GENERAL TOLERANCES (UNLESS SPECIFIED)		DIMENSION STYLE		SCALE	DESIGN UNITS	THIRD ANGLE PROJECTION	
			mm	INCH	MM ONLY	DATE				
D	SEE SHEET 1 EC NO: UCP2014-4032 DRWN: IBINGHAM 2014/03/27 CHKD: RNELSON 2014/03/27 APPR: JLAURX 2014/05/09		4 PLACES	± ---	± ---	DRAWN BY	DATE	10:1	METRIC	PLUG ASSEMBLY SPEEDSTACK CONNECTOR molex
			3 PLACES	± ---	± ---	TGREGORI	2013/03/27			
			2 PLACES	± 0.13	± ---	CHECKED BY	DATE			
			1 PLACE	± 0.25	± ---	APPROVED BY	DATE			
			0 PLACE	± ---	± ---	JCOMERC I	2013/04/25			
			ANGULAR ±1/2°		MATERIAL NO.	DOCUMENT NO.				
			DRAFT WHERE APPLICABLE MUST REMAIN WITHIN DIMENSIONS		SEE SHEET 1	SD-171446-0000			SHEET NO. 2 OF 3	
			THIS DRAWING CONTAINS INFORMATION THAT IS PROPRIETARY TO MOLEX INCORPORATED AND SHOULD NOT BE USED WITHOUT WRITTEN PERMISSION							

PCB LAYOUT - 60 CKT



PCB LAYOUT (COMPONENT SIDE)

SOLDER PASTE THICKNESS: 0.15 MIN
 DATUM [A] IS THE BOTTOM SURFACE OF THE PCB

NOTE:
 PIN NUMBERING IS FOR REFERENCE ONLY.
 OTHER PIN NUMBERS WILL NOT AFFECT
 THE OPERATION OF THE CONNECTOR.

SEE SHEET 1 EC NO: UCP2014-4032 DRAWN: JBINGHAM 2014/03/27 CHKD: RNELSON 2014/03/27 APPR: JLAURX 2014/05/09	QUALITY SYMBOLS DESCRIPTION	GENERAL TOLERANCES (UNLESS SPECIFIED)		DIMENSION STYLE MM ONLY		SCALE 8:1	DESIGN UNITS METRIC	THIRD ANGLE PROJECTION		
			mm	INCH	DRAWN BY TGREGORI	DATE 2013/03/27	TITLE PLUG ASSEMBLY SPEEDSTACK CONNECTOR			
			4 PLACES	± ---	± ---	CHECKED BY				
			3 PLACES	± ---	± ---	APPROVED BY JCOMERC I	DATE 2013/04/25	DOCUMENT NO. SD-171446-0000		SHEET NO. 3 OF 3
		ANGULAR ±1/2° DRAFT WHERE APPLICABLE MUST REMAIN WITHIN DIMENSIONS		MATERIAL NO.	SHEET 1		THIS DRAWING CONTAINS INFORMATION THAT IS PROPRIETARY TO MOLEX INCORPORATED AND SHOULD NOT BE USED WITHOUT WRITTEN PERMISSION			