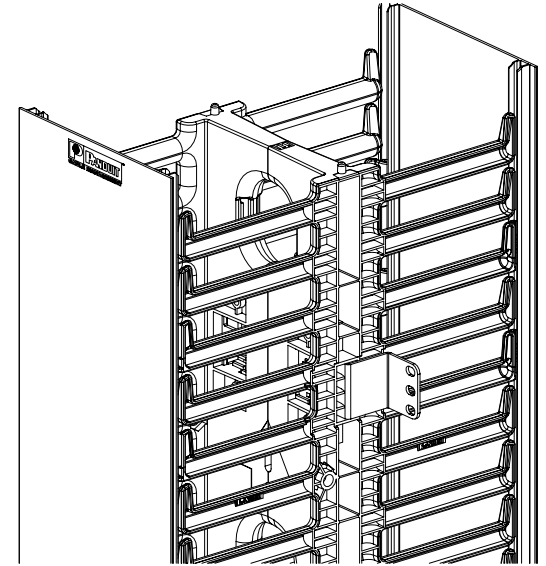
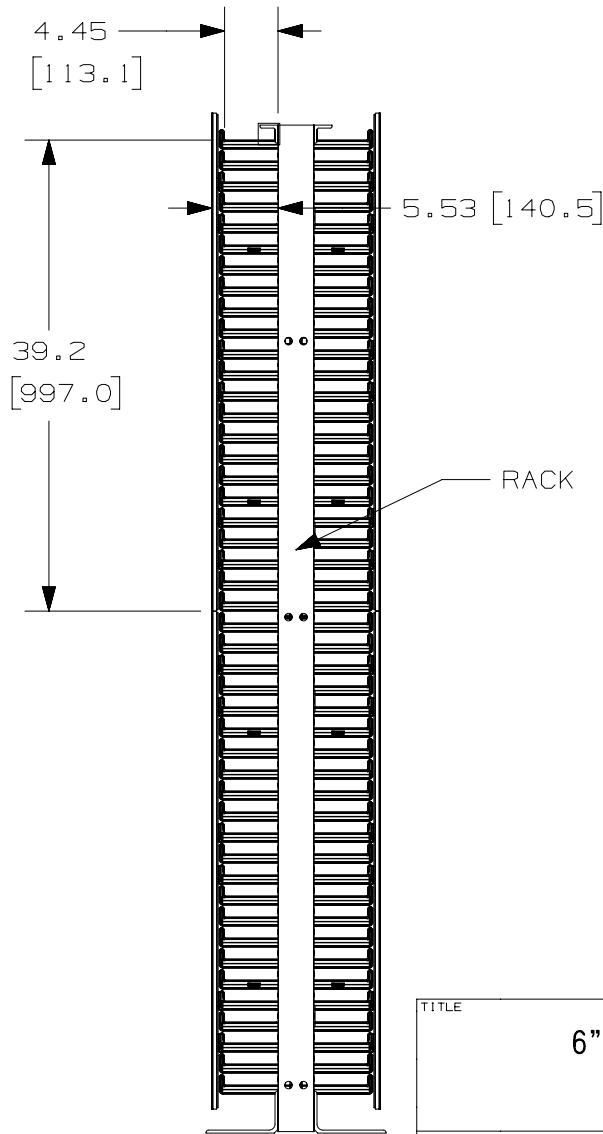
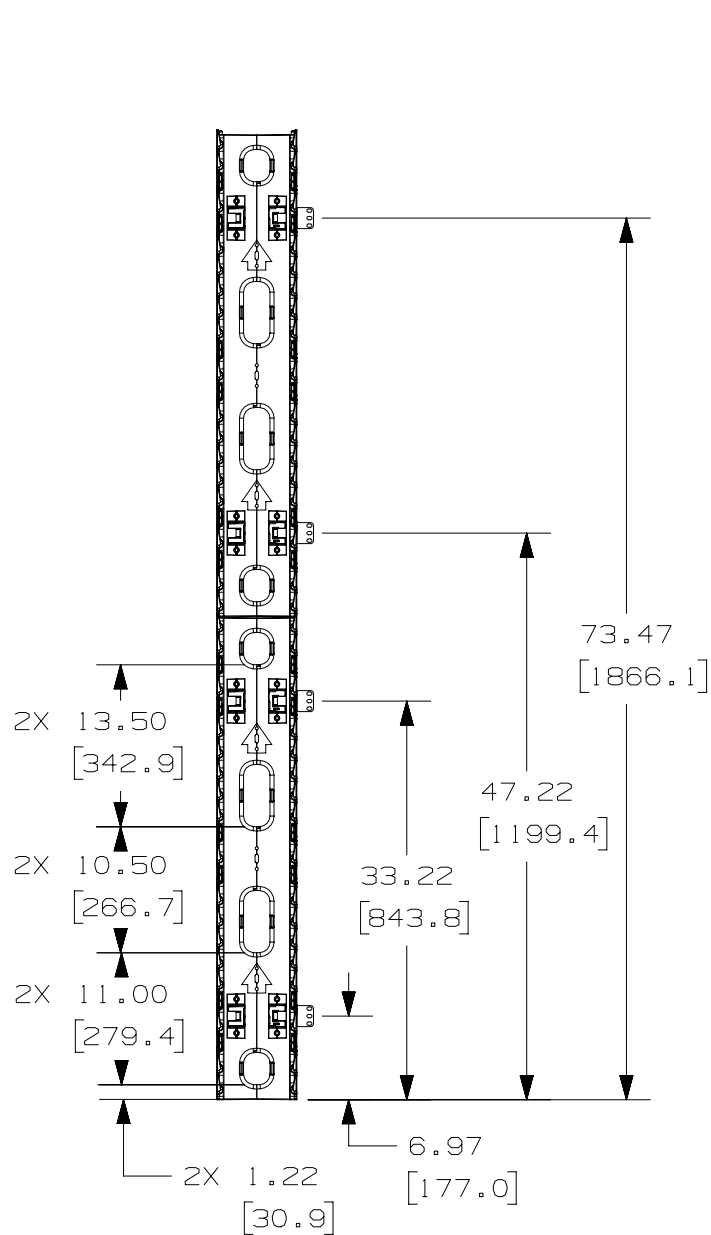


THIS COPY IS PROVIDED ON A RESTRICTED BASIS AND IS NOT TO BE USED IN ANY WAY DETRIMENTAL TO THE INTERESTS OF PANDUIT CORP.



TITLE		6" WIDE VERTICAL CABLE MANAGER WMPVHC45E	
CUSTOMER DRAWING			
ITEM REVISION NAME	V10225AG/06	PANDUIT	
DATASET FILE NAME	V10225AG_DC/06A		
UNLESS OTHERWISE SPECIFIED, DIMENSIONAL TOLERANCES ARE: IN (mm)		MATERIAL:	
.X ±	.XXX ±	CABLE MANAGER- ABS COVER- PVC	
.XX ±	ANGLES ±	DRAWING NUMBER:	
THIRD ANGLE PROJECTION		10225-25	
DRAWN BY	DATE	CHK	SCALE
JDWE	3-15-05	TCK	NONE
DESCRIPTION		ECN	SIZE
SEE SHEET 1 OF 2 FOR REVISIONS		10225-25	A
SEE SHEET 1 OF 2 FOR REVISIONS		10225-25	
REV	DATE	BY	CHK
06A	3-30-15	TWV	MACA
05A	6-5-13	BAME	FGR
		APR	CMK
DESCRIPTION		ECN	SIZE
SEE SHEET 1 OF 2 FOR REVISIONS		10225-25	A
SEE SHEET 1 OF 2 FOR REVISIONS		10225-25	
REV	DATE	BY	CHK
06A	3-30-15	TWV	MACA
05A	6-5-13	BAME	FGR
		APR	CMK

D10100DA/15

2

1

2

1