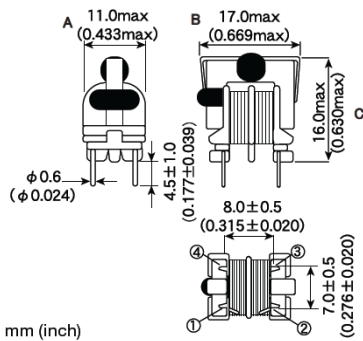


Leaded Common Mode Choke Coils for AC Lines

TLF9UA103WR23K1



■ Features

- Item Summary
10 mH, 0.23 A, 11.0x17.0x16mm
- Lifecycle Stage
Mass Production
- Standard packaging quantity (minimum)
Bulk 500pcs

■ Products characteristics table

No. of Lines	2
Common Mode Inductance	10 mH +100/-10%
Case Size (mm)	11.0x17.0
DC Resistance (max)	4.5 Ω
Rated Current (max)	0.23 A
Rated Voltage (max)	AC250 V
Operating Temp. Range	-25 to +105 °C (Including-self-generated heat)
Insulation Resistance (min)	100 MΩ
RoHS2 Compliance (10 subst.)	Yes
REACH Compliance (173 subst.)	Yes
Soldering	Wave

■ External Dimensions

Dimension A	Max 11.0 mm
Dimension B	Max 17.0 mm
Dimension C	Max 16.0 mm