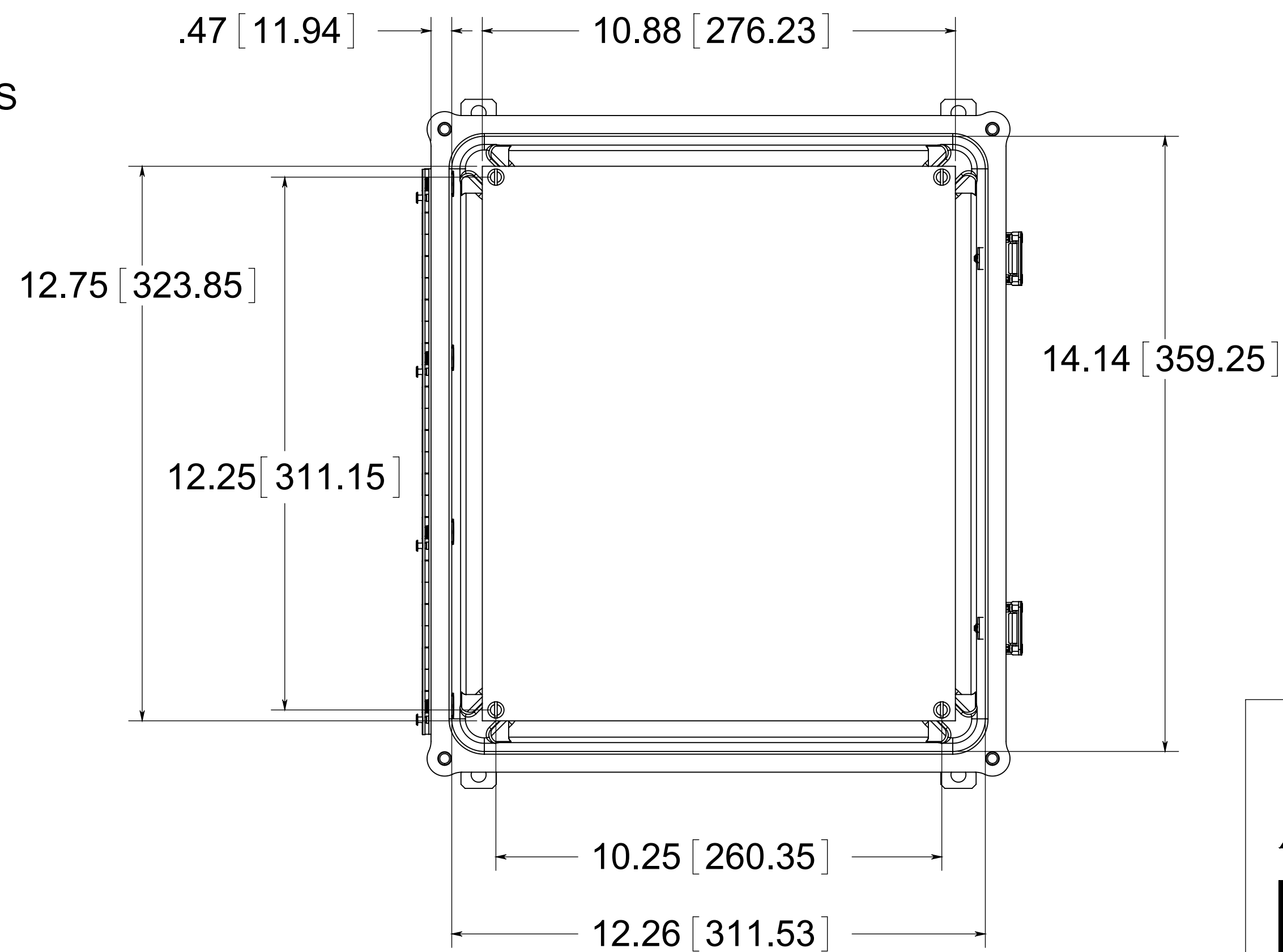
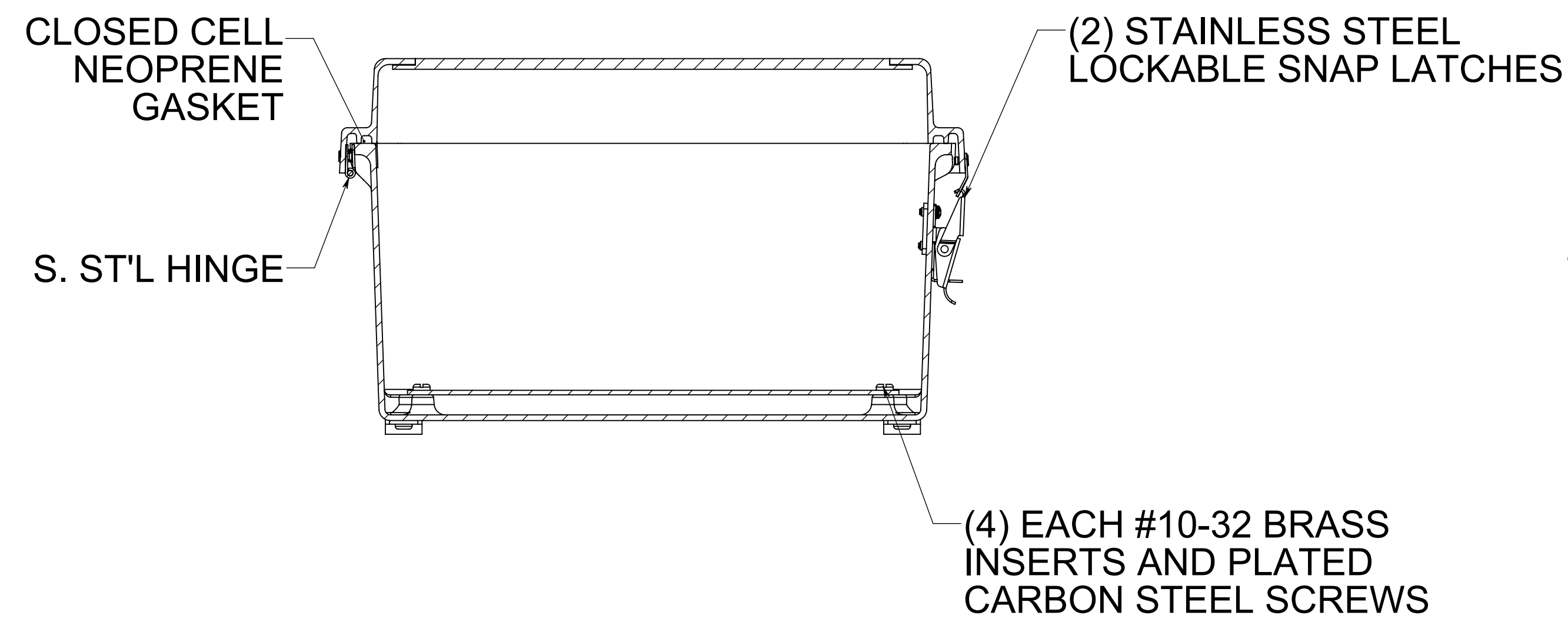
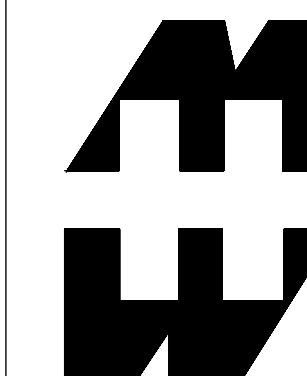


FRONT VIEW
WITH COVER REMOVED
AND BACK PANEL SHOWN

BACK VIEW



MATERIAL:
BOX- COMPRESSION MOLDED FIBERGLASS REINFORCED POLYESTER
COVER- COMPRESSION MOLDED FIBERGLASS REINFORCED POLYESTER
WINDOW- POLYCARBONATE



PART No. PJ14126RLW
for more information visit
www.hammfg.com
Data subject to change without notice
Drawing Not to Scale