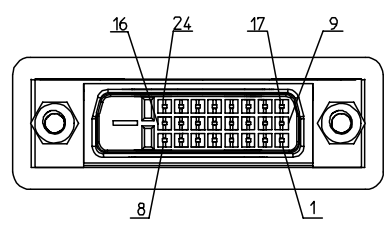
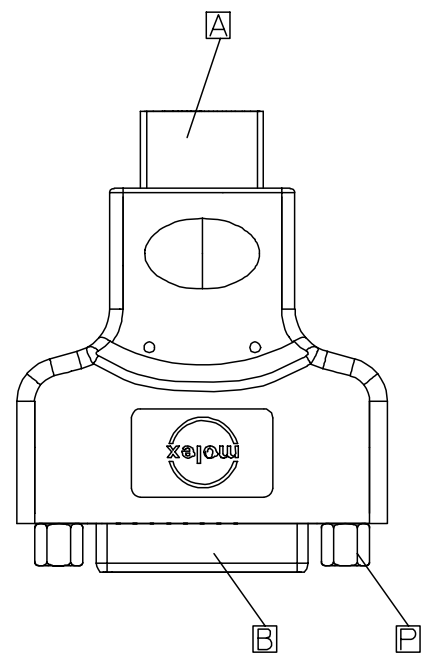
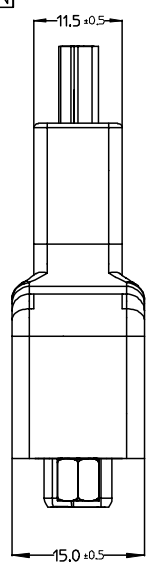
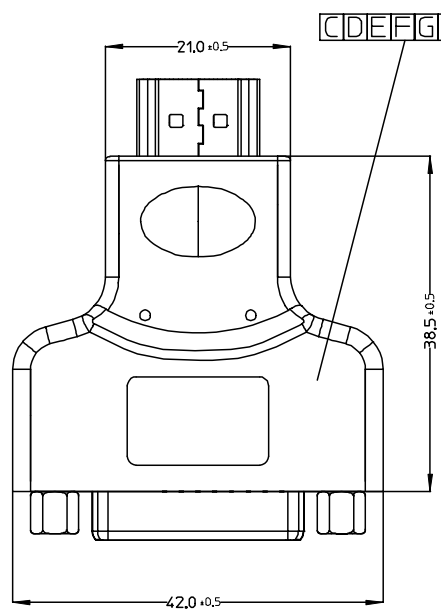
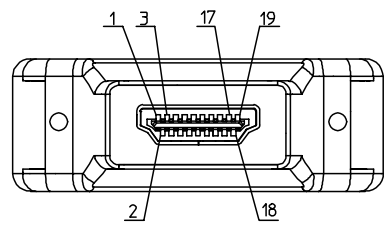


6 5 4 3 2 1



P	4-40 UNC NUT	2
N	UL&CSA 1061/#28 VIOLET	1
M	UL&CSA 1061/#28 RED	1
L	UL&CSA 1061/#28 YELLOW	1
K	UL&CSA 1061/#28 ORANGE	1
J	UL&CSA 1061/#28 WHITE	1
H	TMDS #28 RED	1
G	TMDS #28 BLACK	1
F	TMDS #28 BLUE	1
E	TMDS #28 BROWN	1
D	TOP METAL CAN	1
C	BOTTOM METAL CAN	1
B	DVI-D FEMALE	1
A	HDMI PLUG	1
ITEM	DESCRIPTION	USAGE

EC NO. A	DRWN: CHK: APPR:	DESCRIPTION REV	QUALITY SYMBOLS	GENERAL TOLERANCES: (UNLESS SPECIFIED)	SCALE N.S.T	DESIGN UNITS <input checked="" type="checkbox"/> mm <input type="checkbox"/> INCH	<input type="checkbox"/> mm <input type="checkbox"/> INCH <input checked="" type="checkbox"/> mm ONLY	THIRD ANGLE PROJECTION	SHT	REV						
			MAJOR ▽ = 0	CRITICAL ▽ = 0	4 PLACES 0.	3 PLACES 0.	2 PLACES 0.	1 PLACE 0.	ANGULAR: °	DRAWN BY & DATE ANDY 04/04/01		CHECKED BY & DATE Teddy 04/04/01		APPROVED BY & DATE Boran 04/04/01		TITLE: HDMI(M) TO DVI-D(F) ADAPTOR
						CAD FILENAME J6420-00.MI		MATERIAL NO. 88764-2000	DRAWING NO. SD-88764-005		SHEET NO. 1 OF 2		MOLEX INCORPORATED		SIZE A4	
THIS DRAWING CONTAINS INFORMATION THAT IS PROPRIETARY TO MOLEX INCORPORATED AND SHOULD NOT BE USED WITHOUT WRITTEN PERMISSION.																

WBORD_A.BOR REV A
97/05/14 LEVEL 3

6

5

4

3

2

1

E

D

C

B

A

NOTE:1. OVERMOLD SPECIFICATION:

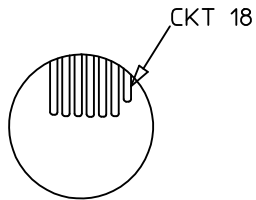
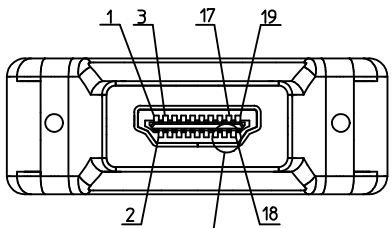
- 1.1 OVERMOLD OUTER MOLD WITH WHITE PVC RESIN UL94V-0
 1.2 OVERMOLD INNER MOLD WITH PE RESIN
 2. CABLE ELECTRICAL SPECIFICATION:
 2.1 DIELECTRIC STRENGTH: 300V AC FOR 10MS.
 2.2 INSULATION RESISTANCE: 10 MEGA Ohms MIN.
 2.3 CONTACT RESISTANCE: 2 OHMS(MAX.)

SHIELD	=====	SHIELD	SHIELD	GROUND
PIN 19	=====	PIN 16	WHITE	HOT PLUG DETECT
PIN 18	=====	PIN 14	YELLOW	POWER +5V
PIN 17	=====	PIN 15	ORANGE	GROUND (+5V&DDC)
PIN 16	=====	PIN 7	RED	DDC DATA (SDA)
PIN 15	=====	PIN 6	VIOLET	DDC CLOCK (SCL)
PIN 12	⊗	PIN 24	WHITE	TMDS CLOCK -
PIN 10	⊗	PIN 23	BROWN	TMDS CLOCK +
PIN 11	=====	PIN 22	BRAID	TMDS CLOCK SHIELD
PIN 9	⊗	PIN 17	WHITE	TMDS DATA 0-
PIN 7	⊗	PIN 18	BLUE	TMDS DATA 0+
PIN 8	=====	PIN 19	BRAID	TMDS DATA 0 SHIELD
PIN 6	⊗	PIN 9	WHITE	TMDS DATA 1-
PIN 4	⊗	PIN 10	BLACK	TMDS DATA 1+
PIN 5	=====	PIN 11	BRAID	TMDS DATA 1 SHIELD
PIN 3	⊗	PIN 1	WHITE	TMDS DATA 2+
PIN 1	=====	PIN 2	RED	TMDS DATA 2+
PIN 2	=====	PIN 3	BRAID	TMDS DATA 2 SHIELD
HDMI		DVI-D	WIRE COLOR	DVI-D

EC NO. DRWN: CHK: APPR:	DESCRIPTION	QUALITY SYMBOLS	GENERAL TOLERANCES: (UNLESS SPECIFIED)		SCALE N.S.T	DESIGN UNITS <input checked="" type="checkbox"/> mm <input type="checkbox"/> INCH	THIRD ANGLE PROJECTION	<input type="checkbox"/> mm <input type="checkbox"/> INCH <input checked="" type="checkbox"/> mm ONLY	SHT	REV
		MAJOR ▼ -0 CRITICAL ▽ -0	4 PLACES 0. 3 PLACES 0. 2 PLACES 0. 1 PLACE 0.	mm	INCH	DRAWN BY & DATE ANDY 04/04/01		TITLE: HDMI(M) TO DVI-D(F) ADAPTOR		
A	REV	ANGULAR: °		APPROVED BY & DATE Boran 04/04/01		MOLEX INCORPORATED				
				CAD FILENAME J6420-00.MI	MATERIAL NO. 88764-2000	DRAWING NO. SD-88764-005	SHEET NO. 2 OF 2			
THIS DRAWING CONTAINS INFORMATION THAT IS PROPRIETARY TO MOLEX INCORPORATED AND SHOULD NOT BE USED WITHOUT WRITTEN PERMISSION.										SIZE A4

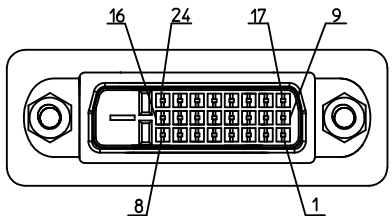
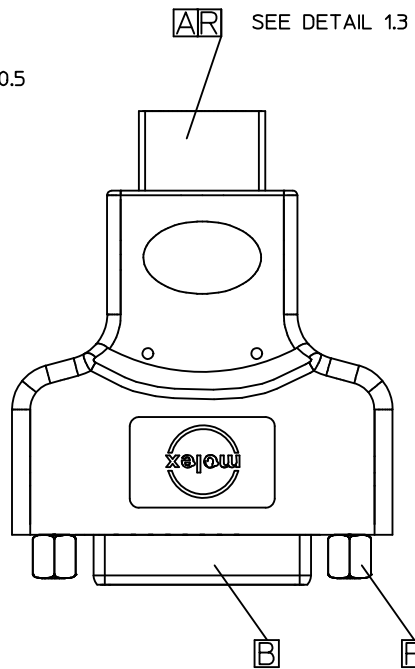
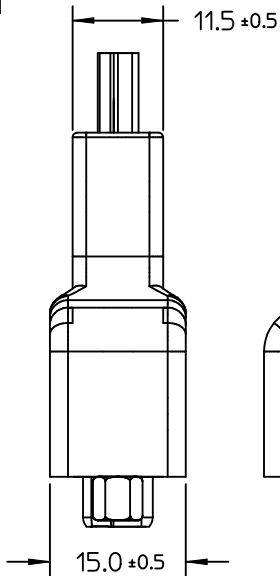
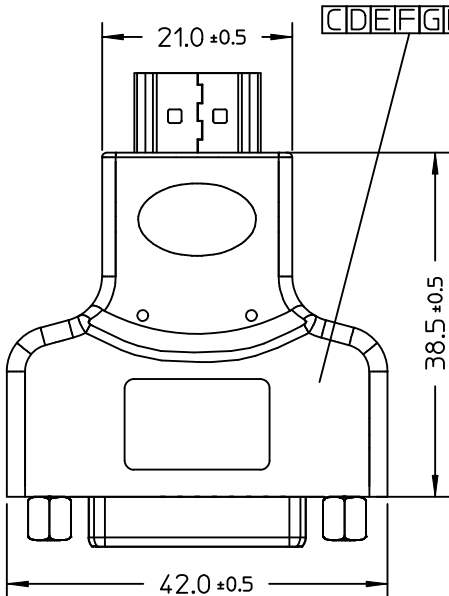
7 6 5 4 3 2 1

REVISIONS				
EC NO	DATE	REV	DESCRIPTION	CHANGER
CY12-7060	2011/07/19	J	ADD 172003402 & 172005585 & 172005586	VANESSA



SEE DETAIL A

DETAIL A



U	Loctech#712 Accelerator 500ml/btlHF	AR
T	Loctech#V300.Glue.500g/btlHF	AR
S	PRE-CUT CFoil 47X23mm T-25U HF	1
R	HDMI 19P MALE.30U*Au Solder Type	1
P	4-40 UNC NUT	2
N	UL&CSA 1061/#28 VIOLET	1
M	UL&CSA 1061/#28 RED	1
L	UL&CSA 1061/#28 YELLOW	1
K	UL&CSA 1061#28 ORANGE	1
J	UL&CSA 1061#28 WHITE	1
H	TMDS #28 RED	1
G	TMDS #28 BLACK	1
F	TMDS #28 BLUE	1
E	#PX28AWG.SHL.D.PVC.BROW.2.95MM	1
D	TOP METAL CAN	1
C	BOTTOM METAL CAN	1
B	DVI-D FEMALE	1
A	Metal Shell For HDMI 19P Male	1
ITEM	DESCRIPTION	USAGE

ENTER DESCRIPTION EC NO: DG2012-0157 DRWN:FZHANG01 2011/08/15 CHKD:VANESSA 2011/08/15 APPR:ZXDENG 2011/08/17	QUALITY SYMBOLS ▽=0 ▽=0	GENERAL TOLERANCES (UNLESS SPECIFIED)		DIMENSION STYLE MM ONLY		SCALE --	DESIGN UNITS METRIC	THIRD ANGLE PROJECTION			
		4 PLACES ± --- ± ---	mm INCH	DRAWN BY FZHANG01	DATE 2011/08/15	TITLE HDMI(M) TO DVI-D(F) ADAPTOR					
		3 PLACES ± --- ± ---	mm INCH	CHECKED BY TEDDY	DATE 2011/08/15						
		2 PLACES ± --- ± ---	mm INCH	APPROVED BY ZXDENG	DATE 2011/08/17	MOLEX INCORPORATED					
1 PLACE ± --- ± ---	mm INCH	ANGULAR ± ---°		MATERIAL NO. 887642000	DOCUMENT NO. SD-88764-2000						
DRAFT WHERE APPLICABLE MUST REMAIN WITHIN DIMENSIONS				THIS DRAWING CONTAINS INFORMATION THAT IS PROPRIETARY TO MOLEX INCORPORATED AND SHOULD NOT BE USED WITHOUT WRITTEN PERMISSION							

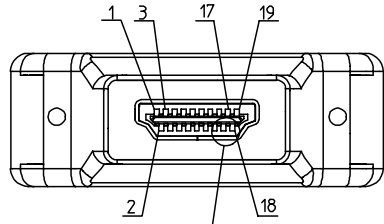
6 5 4 3 2 1

NOTE:

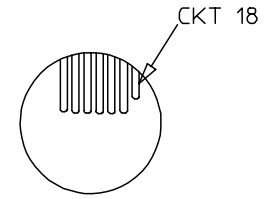
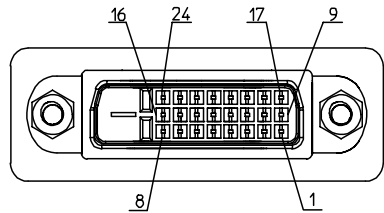
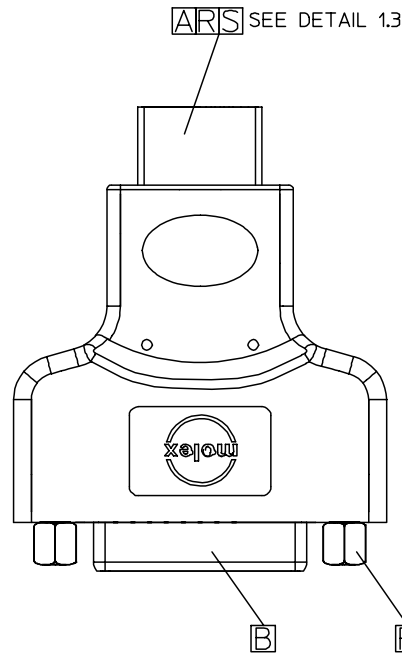
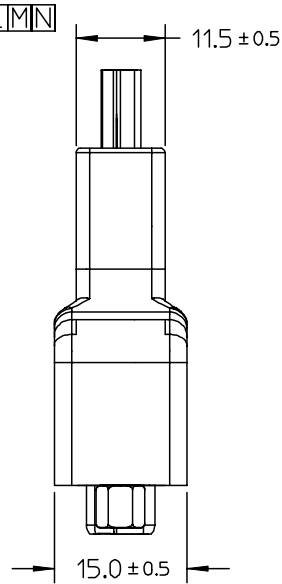
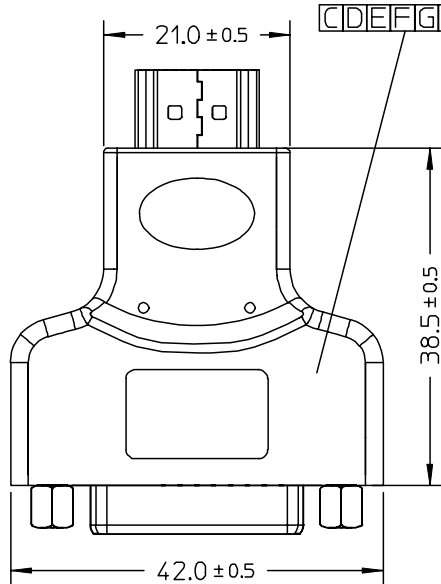
- 1. OVERMOLD SPECIFICATION
 - 1.1 OVERMOLD OUTER MOLD WITH WHITE PVC RESIN
 - 1.2 OVERMOLD INNER MOLD WITH PVC RESIN
 - 1.3 HDMI DUST COVER WITH PE
- 2. THIS PRODUCT CAN PASS 100% CONTINUITY TEST.
- 3. THIS PRODUCT MUST MEET EU CHEMICAL SUBSTANCE SPECIFICATION FOR PRODUCTS. (EU 2002/95/EC)

SHIELD	=====	SHIELD	=====	SHIELD	=====	GROUND	=====
PIN 19	=====	PIN 16	=====	WHITE		HOT PLUG DETECT	
PIN 18	=====	PIN 14	=====	YELLOW		POWER +5V	
PIN 17	=====	PIN 15	=====	ORANGE		GROUND (+5V&DDC)	
PIN 16	=====	PIN 7	=====	RED		DDC DATA (SDA)	
PIN 15	=====	PIN 6	=====	VIOLET		DDC CLOCK (SCL)	
PIN 12	=====	PIN 24	=====	WHITE	BROWN	TMDS CLOCK -	
PIN 10	=====	PIN 23	=====	GREEN		TMDS CLOCK +	
PIN 11	=====	PIN 22	=====	BRAID		TMDS CLOCK SHIELD	
PIN 9	=====	PIN 17	=====	WHITE	BLUE	TMDS DATA 0-	
PIN 7	=====	PIN 18	=====	GREEN		TMDS DATA 0+	
PIN 8	=====	PIN 19	=====	BRAID		TMDS DATA 0 SHIELD	
PIN 6	=====	PIN 9	=====	WHITE	BLACK	TMDS DATA 1-	
PIN 4	=====	PIN 10	=====	GREEN		TMDS DATA 1+	
PIN 5	=====	PIN 11	=====	BRAID		TMDS DATA 1 SHIELD	
PIN 3	=====	PIN 1	=====	WHITE	RED	TMDS DATA 2+	
PIN 1	=====	PIN 2	=====	GREEN		TMDS DATA 2+	
PIN 2	=====	PIN 3	=====	BRAID		TMDS DATA 2 SHIELD	
HDMI		DVI-D		INNER COLOR WIRE COLOR	OUTER COLOR	FUNCTION	

ENTER DESCRIPTION EC NO: DG2012-0157 DRWN:FZHANG01 CHKD:VANESSA APPR:ZXDENG	DESCRIPTION 2011/08/15 2011/08/15 2011/08/17	REV 1 2 3	QUALITY SYMBOLS =0 =0	GENERAL TOLERANCES (UNLESS SPECIFIED)		DIMENSION STYLE		SCALE	DESIGN UNITS	THIRD ANGLE PROJECTION	
					mm	INCH	MM ONLY	---	METRIC		
				4 PLACES	± ---	± ---	DRAWN BY	DATE	TITLE		
				3 PLACES	± ---	± ---	FZHANG01	2011/08/15			
2 PLACES	± ---	± ---	CHECKED BY	DATE	MOLEX INCORPORATED						
1 PLACE	± ---	± ---	TEDDY	2011/08/15							
ANGULAR ± ---°		APPROVED BY		DATE	DOCUMENT NO.		SHEET NO.				
DRAFT WHERE APPLICABLE MUST REMAIN WITHIN DIMENSIONS		ZXDENG		2011/08/17					SD-88764-2000		2 OF 2
		MATERIAL NO.		SIZE		THIS DRAWING CONTAINS INFORMATION THAT IS PROPRIETARY TO MOLEX INCORPORATED AND SHOULD NOT BE USED WITHOUT WRITTEN PERMISSION					
		887642000		A 4							



SEE DETAIL A



DETAIL A

S	47152-6009	SMALL METAL PLATED	1
R	47152-4001	HDMI METAL CAN	1
P	887806066	4-40 UNC NUT	2
N	887719807	UL&CSA 1061/#28 VIOLET	1
M	887719801	UL&CSA 1061/#28 RED	1
L	887719803	UL&CSA 1061/#28 YELLOW	1
K	887719802	UL&CSA 1061/#28 ORANGE	1
J	887719809	UL&CSA 1061/#28 WHITE	1
H	887808260	TMDS #28 RED	1
G	887808256	TMDS #28 BLACK	1
F	887808259	TMDS #28 BLUE	1
E	887808258	TMDS #28 BROWN	1
D	887899826	TOP METAL CAN	1
C	887899825	BOTTOM METAL CAN	1
B	743205004	DVI-D FEMALE	1
A	47152-1100	HDMI HOUSING ASSY'	1
ITEM	MX P/N	DESCRIPTION	USAGE

ENTER DESCRIPTION EC NO: DG2006-0144 DRWN: JFZHENG 2005/12/27 CHKD: 2005/12/30 APPR: DQLUO 2006/01/16	QUALITY SYMBOLS 	GENERAL TOLERANCES (UNLESS SPECIFIED)		DIMENSION STYLE MM ONLY		SCALE ---	DESIGN UNITS METRIC	THIRD ANGLE PROJECTION																							
		<table border="1"> <thead> <tr><th></th><th>mm</th><th>INCH</th></tr> </thead> <tbody> <tr><td>4 PLACES</td><td>± ---</td><td>± ---</td></tr> <tr><td>3 PLACES</td><td>± ---</td><td>± ---</td></tr> <tr><td>2 PLACES</td><td>± ---</td><td>± ---</td></tr> <tr><td>1 PLACE</td><td>± ---</td><td>± ---</td></tr> </tbody> </table>		mm	INCH	4 PLACES	± ---	± ---	3 PLACES	± ---	± ---	2 PLACES	± ---	± ---	1 PLACE	± ---	± ---	<table border="1"> <thead> <tr><th></th><th>DATE</th></tr> </thead> <tbody> <tr><td>DRAWN BY</td><td>JFZHENG 2005/12/27</td></tr> <tr><td>CHECKED BY</td><td>JFZHENG 2005/12/27</td></tr> <tr><td>APPROVED BY</td><td>DQLUO 2005/12/27</td></tr> </tbody> </table>		DATE	DRAWN BY	JFZHENG 2005/12/27	CHECKED BY	JFZHENG 2005/12/27	APPROVED BY	DQLUO 2005/12/27	TITLE HDMI(M) TO DVI-D(M) ADAPTER		MATERIAL NO. 887642000		DOCUMENT NO. SD-887642000
	mm	INCH																													
4 PLACES	± ---	± ---																													
3 PLACES	± ---	± ---																													
2 PLACES	± ---	± ---																													
1 PLACE	± ---	± ---																													
	DATE																														
DRAWN BY	JFZHENG 2005/12/27																														
CHECKED BY	JFZHENG 2005/12/27																														
APPROVED BY	DQLUO 2005/12/27																														
DRAFT WHERE APPLICABLE MUST REMAIN WITHIN DIMENSIONS		SIZE 		THIS DRAWING CONTAINS INFORMATION THAT IS PROPRIETARY TO MOLEX INCORPORATED AND SHOULD NOT BE USED WITHOUT WRITTEN PERMISSION																											

NOTE:

1. OVERMOLD SPECIFICATION:
 - 1.1 OVERMOLD OUTER MOLD WITH WHITE PVC RESIN UL94V-0 P/N IS 887800076.
 - 1.2 OVERMOLD INNER MOLD WITH PVC RESIN P/N IS 887800019
 - 1.3 HDMI DUST COVER WITH PE 887800008
2. CABLE ELECTRICAL SPECIFICATION:
 - 2.1 DIELECTRIC STRENGTH: 300V AC FOR 10MS.
 - 2.2 INSULATION RESISTANCE: 10 MEGA Ohms MIN.
 - 2.3 CONTACT RESISTANCE: 2 OHMS(MAX.)
3. ALL MATERIALS MUST MEET MX TS-0002.

SHIELD	SHIELD	SHIELD	GROUND
PIN 19	PIN 16	WHITE	HOT PLUG DETECT
PIN 18	PIN 14	YELLOW	POWER +5V
PIN 17	PIN 15	ORANGE	GROUND (+5V&DDC)
PIN 16	PIN 7	RED	DDC DATA (SDA)
PIN 15	PIN 6	VIOLET	DDC CLOCK (SCL)
PIN 12	PIN 24	WHITE	TMDS CLOCK -
PIN 10	PIN 23	BROWN	TMDS CLOCK +
PIN 11	PIN 22	BRAID	TMDS CLOCK SHIELD
PIN 9	PIN 17	WHITE	TMDS DATA 0-
PIN 7	PIN 18	BLUE	TMDS DATA 0+
PIN 8	PIN 19	BRAID	TMDS DATA 0 SHIELD
PIN 6	PIN 9	WHITE	TMDS DATA 1-
PIN 4	PIN 10	BLACK	TMDS DATA 1+
PIN 5	PIN 11	BRAID	TMDS DATA 1 SHIELD
PIN 3	PIN 1	WHITE	TMDS DATA 2+
PIN 1	PIN 2	RED	TMDS DATA 2+
PIN 2	PIN 3	BRAID	TMDS DATA 2 SHIELD
HDMI	DVI-D	WIRE COLOR	FUNCTION

ENTER DESCRIPTION EC NO: DG2006-0144 DRWN: JFZHENG CHKD: APPR: DQLUO	DESCRIPTION 2005/12/27 2005/12/30 2006/01/16	QUALITY SYMBOLS	GENERAL TOLERANCES (UNLESS SPECIFIED)		DIMENSION STYLE		SCALE	DESIGN UNITS	THIRD ANGLE PROJECTION	
		=0 =0	mm	INCH	MM ONLY	---	METRIC			
		4 PLACES	±---	±---	DRAWN BY	DATE	TITLE			
		3 PLACES	±---	±---	JFZHENG	2005/12/27	HDMI(M) TO DVI-D(M) ADAPTER			
		2 PLACES	±---	±---	CHECKED BY	DATE	MOLEX INCORPORATED			
1 PLACE	±---	±---	JFZHENG	2005/12/27						
		ANGULAR ±---°	APPROVED BY	DATE	MATERIAL NO.	DOCUMENT NO.	SHEET NO.			
			DQLUO	2005/12/27	887642000	SD-887642000	2 OF 2			
			DRAFT WHERE APPLICABLE MUST REMAIN WITHIN DIMENSIONS		SIZE	THIS DRAWING CONTAINS INFORMATION THAT IS PROPRIETARY TO MOLEX INCORPORATED AND SHOULD NOT BE USED WITHOUT WRITTEN PERMISSION				
					A 4					