

SPECIFICATIONS

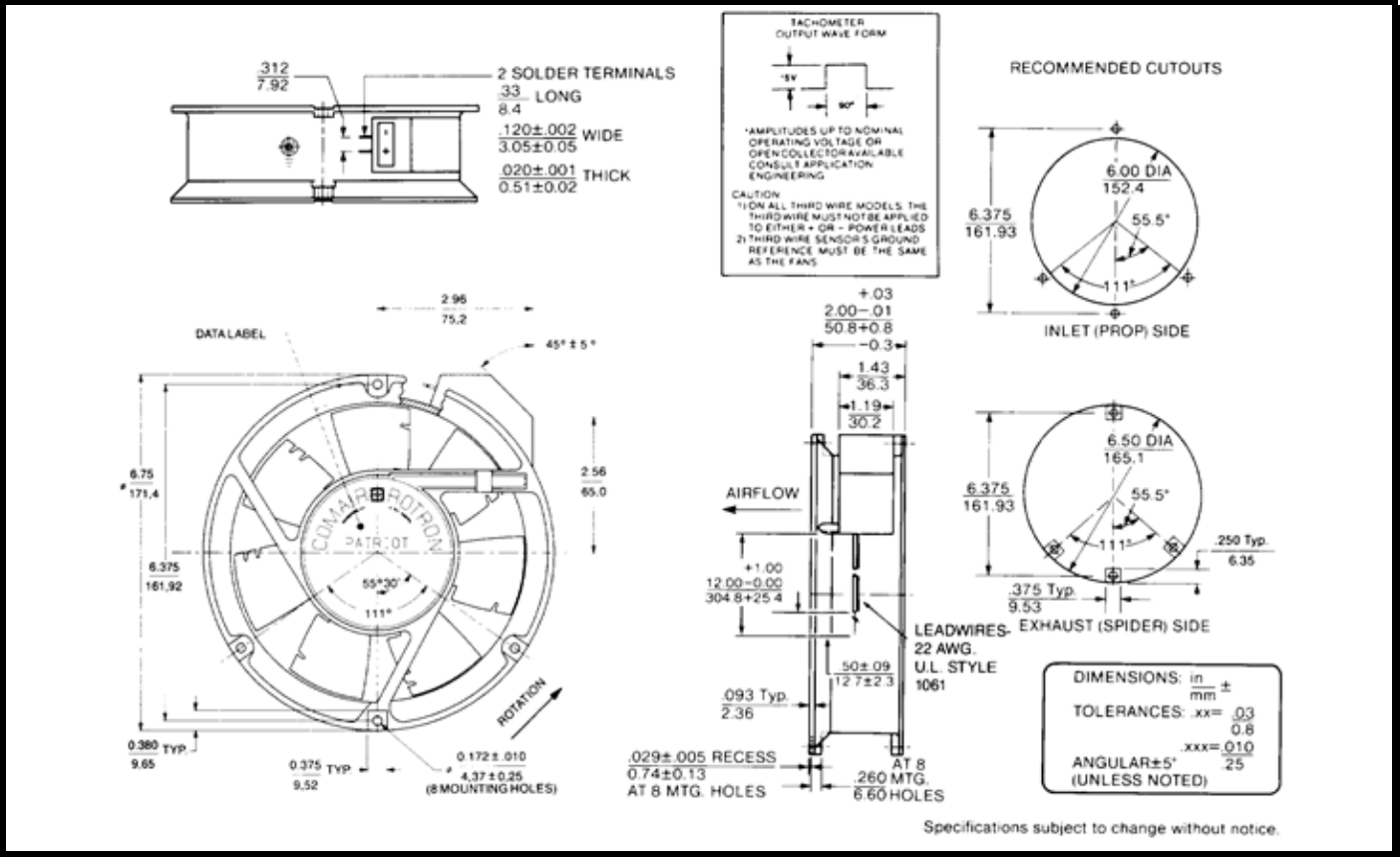
(Rohs Compliant)



Model Number: PQ24K3E2X-E3
Part Number: 17001193A

Version: 00
Jun 12, 2018

Mechanical Drawing:



Motor:
 Nominal Voltage = 24 vdc
 Operating Voltage Range = 16 - 32 vdc
 Nominal Running Current = 1.80 amps
 Locked Rotor Current = 3.00 amps
 Running Power = 43.20 watts
 Average Speed = 4200 RPM
 Bearings = Ball
 Air Flow = 285 CFM
 Acoustic = 58.9 dBA

Construction:
 Venturi: Die-cast aluminum, Black
 Propeller: Plastic, Black, UL 94V-0

Life Expectancy:
 This fan is designed for continuous duty life of 58,000 hours at 70°C.

Termination:
 12"±1"(304.8±25.4mm) 22AWG UL1061 Leadwires
 Red = Power(+)
 Black = Return(-)
 Blue/White = Tach output
 Yellow = PWM control

Additional Features:
 Brushless DC Motor
 Locked Rotor Protection
 Polarity Protected
 Automatic Restart Capability
 Operating Temperature: -10°C to 70°C
 Storage Temperature: -40°C to 85°C
 Environmental Protection: Type 3(IP68)

TACHOMETER:
 Output: Open Collector
 Ic: 20 mA max.
 Vcc: 32 Vdc max.
 Pulses per Revolution: 2
 Isolated: No

Speed Control:
 PWM: 200 ~ 2 KHz, Open Collector
 <10% Duty: Off
 10%~95% Duty: Linear Ramp
 >95% Duty or Open Lead Wire: Full Speed

Agency Certifications:
 UL, CUL, CE

PQ Curve:

