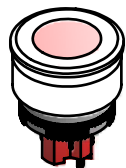
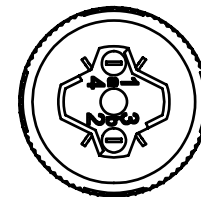
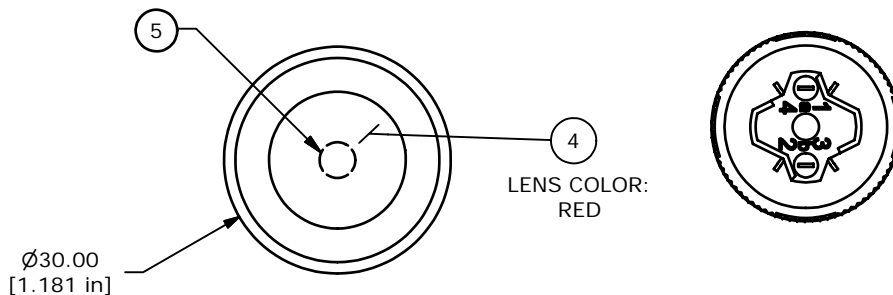


ISOMETRIC

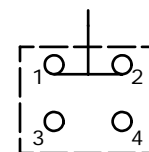
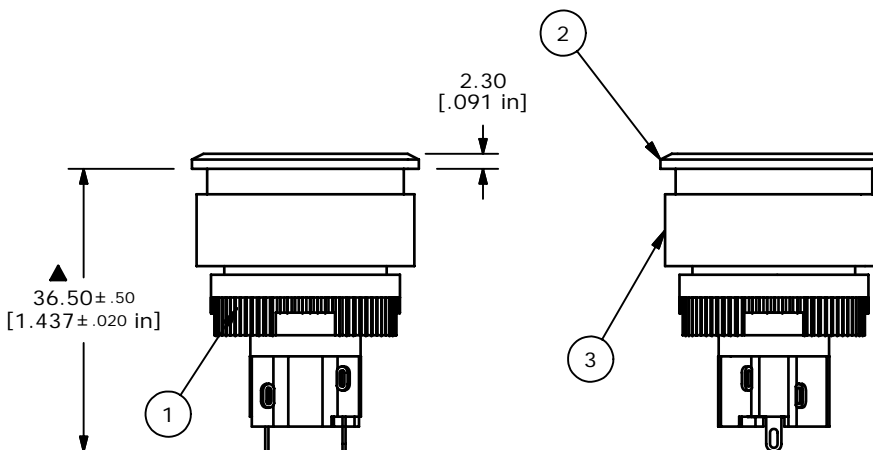


▲ Parts List				
ITEM	QTY	PART NUMBER	DESCRIPTION	
1	1	F060606	LASOAV11 BODY	
2	1	F051704	V3 FLUSH MOUNT BEZEL	
3	1	F051705	V3 FLUSH MOUNT RETAINER	
4	1	F060255	25MM RED LENS OPAQUE	
5	1	F050423	LED 24VDC RED	



NOTES:

- ALL DIMENSIONS IN MM [INCH].
- GENERAL TOLERANCE: $0.0 = \pm 0.4$
 $0.00 = \pm 0.25$
- TERM. NOS. FOR REF. ONLY.
- RATING: 5A @250VAC
8A @125VAC
.2A @250VDC
6A @24VDC
- INSULATION: 1,000 M Ω MIN.
- DIELECTRIC STRENGTH: 2000V FOR 1 MIN.
- SEALED TO IP65.
- TRAVEL: 3.0MM FULL TRAVEL, 2.0MM LATCH
- ELECTRICAL LIFE: >50,000 CYCLES
- OPERATING TEMP: -25C TO +55C
- PANEL THICKNESS: 0.5MM TO 3.0MM
- LAMP VOLTAGE: LED, 24VDC RED
- ▲ DENOTES CRITICAL PARAMETER.
- 2002/95/EC (ROHS) COMPLIANT



▲ CONTACT CONFIGURATION
SPDT



TITLE LASOAV31KREDRED

A	18463	RELEASED FOR PRODUCTION	3/31/09	BLR
REV	PCR NO	DESCRIPTION	DATE	BY

SCALE	DATE	DR	DWG	REV
1 : 1	3/31/2009	BLR	XF0790P	A

THE INFORMATION CONTAINED IN THIS DOCUMENT IS PROPRIETARY TO E-SWITCH AND IS NOT TO BE COPIED OR TRANSFERRED