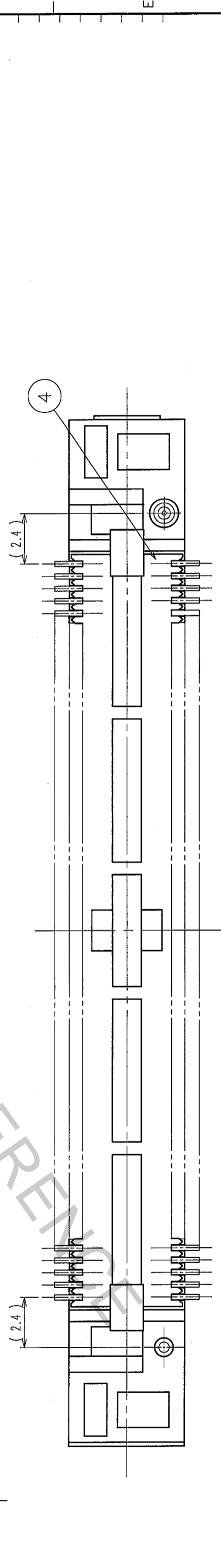
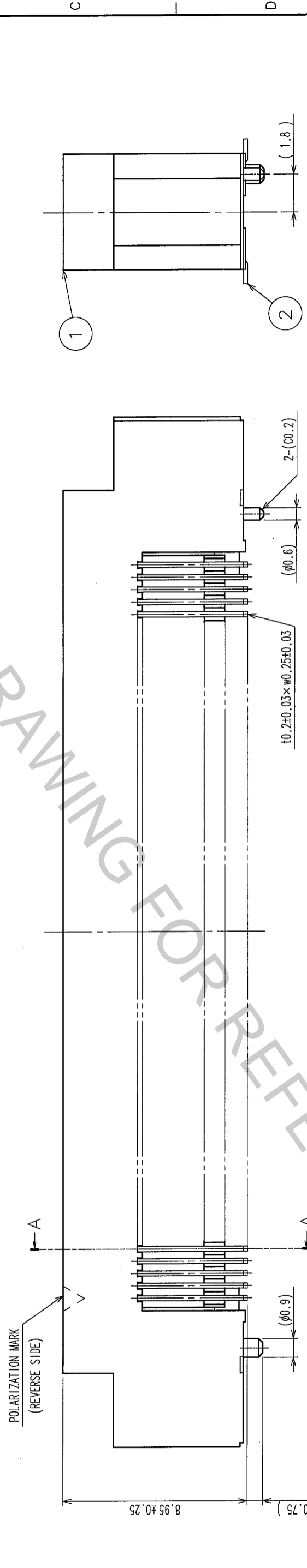
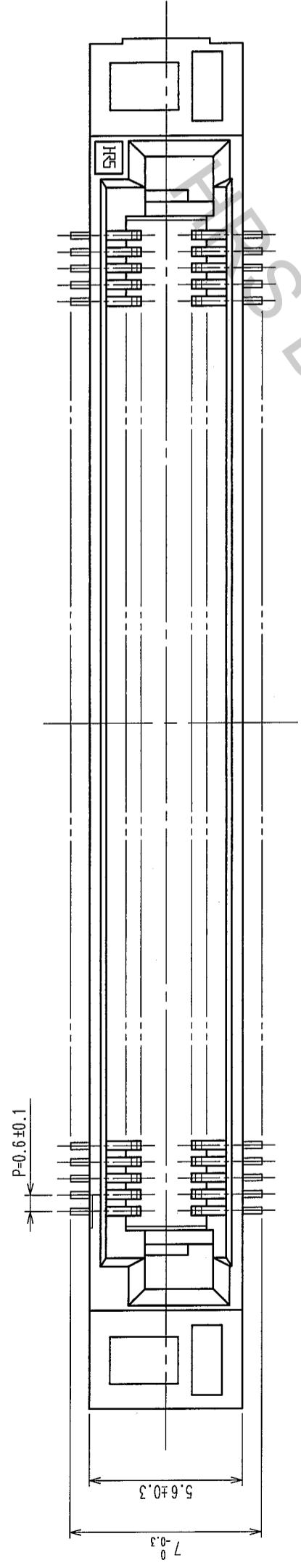
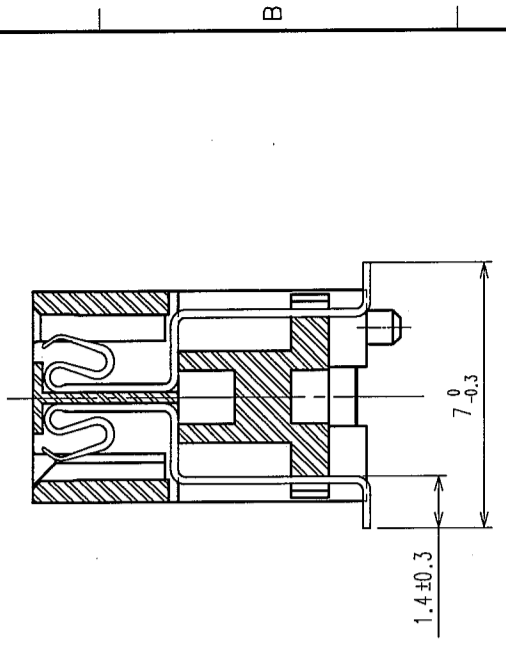


DETAIL AFTER REMOVING JOINT

COUNT	DESCRIPTION OF REVISIONS	BY	CHKD	DATE	COUNT	DESCRIPTION OF REVISIONS	BY	CHKD	DATE
△					△				
△					△				
△					△				

A-A



TO	
PCK	

NOTE THE DIMENSIONS IN PARENTHESES ARE FOR REFERENCE.

NO.	MATERIAL	FINISH, REMARKS	NO.	MATERIAL	FINISH, REMARKS
CODE NO. (OLD) CL			DRAWN A. SUZUKAWA	DESIGNED K. Oyamada	CHECKED H. Okawa
			05.12.16	05.12.17	05.12.17
			PART NO. FX8C-120/120S11-SV5J(71)		
			DRAWING NO. EDC3-150974-25		
			CODE NO. CL578-0926-8-71		
			HIROSE ELECTRIC CO., LTD		
			UNITS mm		
			SCALE 5 : 1		