

83818-20XXX-XXLF

CARD TYPE II : 2

OPEN END : 0

LABEL RECESS : 0 = NO

1 = YES (63 X 41.2)

2 = CUSTOMIZATION

0 = NO

1 = YES (STANDARD)

2 = CUSTOMIZATION

0 = NO

1 = YES

CUSTOMIZATION : BLANK = NO CUSTOMIZATION

01 = RICOLA BOTTOM CARDSHIELD

04 = RICOLA TOP CARDSHIELD

RoHS COMPLIANT SPECIFICATION (optional)

LF (blank)


83818-20XXX-XX IS SIMILAR TO 83818-20XXX-XXLF, THE SUFFIX "LF" IS ADDED FOR LEAD FREE IDENTIFICATION. THIS PRODUCT MEETS EUROPEAN UNION DIRECTIVES AND OTHER COUNTRY REGULATIONS AS PER GS-22-008. PACKAGING SPECIFICATION GS-14-920.

NOTES :

- 1- CARDSHIELD :
 - MATERIAL = STAINLESS STEEL
 - TEXTURE AND VISUAL QUALITY ACCORDING GS-12-022
 - THICKNESS 0.2
- 2- FRAME BAR :
 - MATERIAL = PPO BLACK UL94 V-0
- 3- INSULATOR :
 - MATERIAL : POLYESTER FOIL
 - DIELECTRIC STRENGTH = 2 500 V
 - TEMPERATURE RANGE : -40 °C TO +85 °C
- 4- PACKAGED IN THERMOFORMED TRAY ACCORDING GS-14-995
500 PCS PER CARTON BOX.

rev	ecn no	dr	date
A	F10759	LSA	01.03.28
B	F10564	FCH	01.10.23
C	F05-0270	LSA	05-10-07
D	F06-0254	LSA	05-11-07
E	F07-0213	LSA	06-06-29
F	F07-0133	LSA	07-02-15

Mark with (N/A)

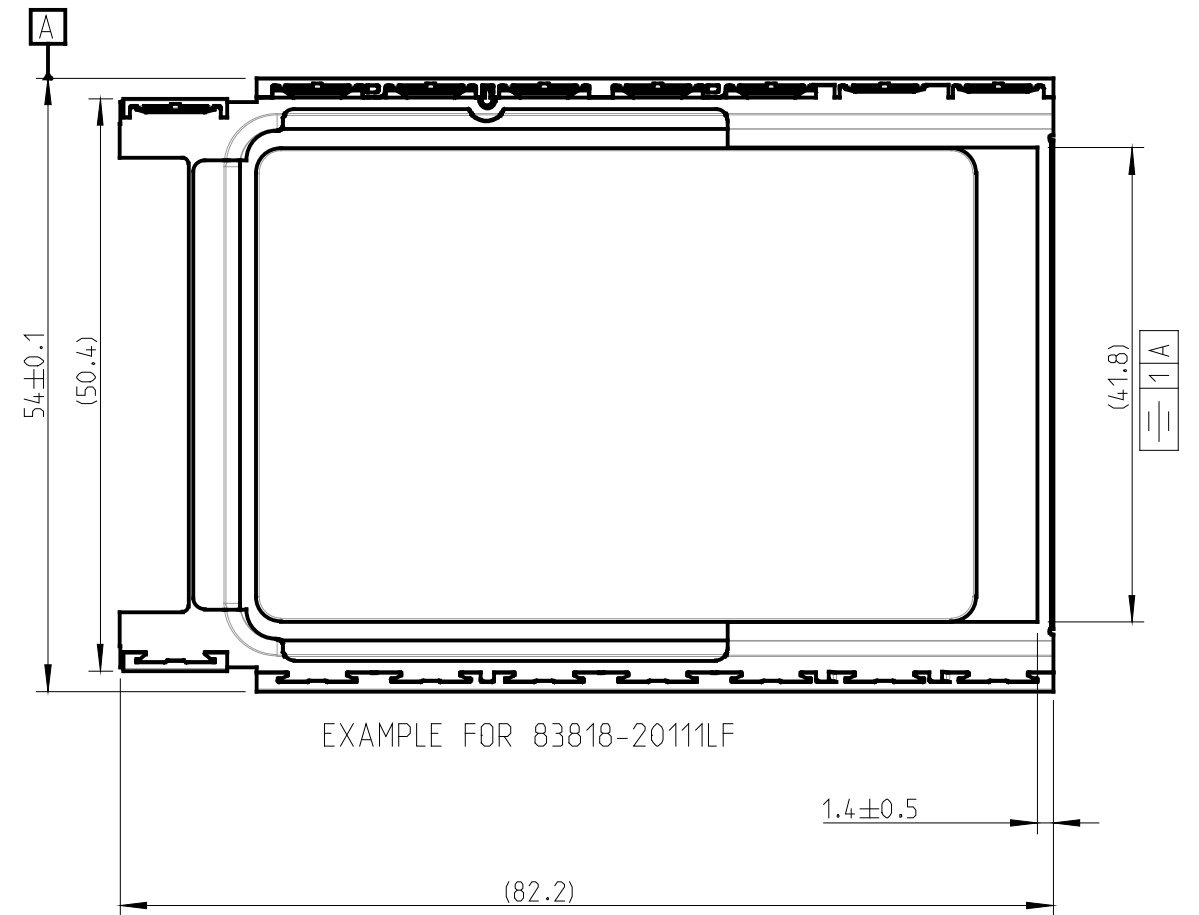
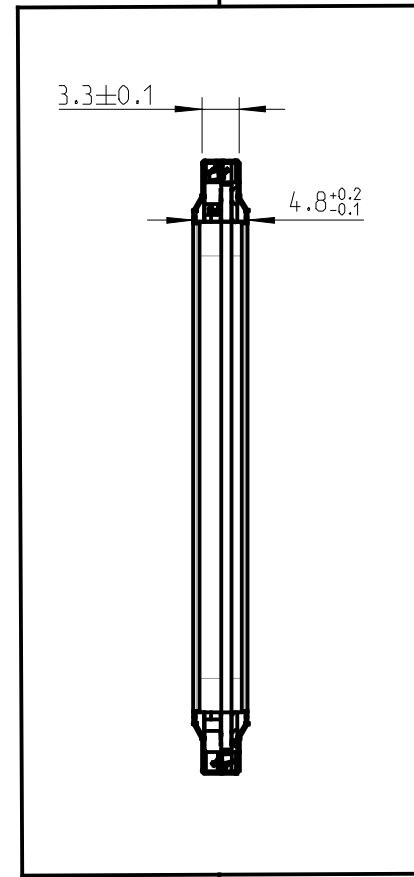
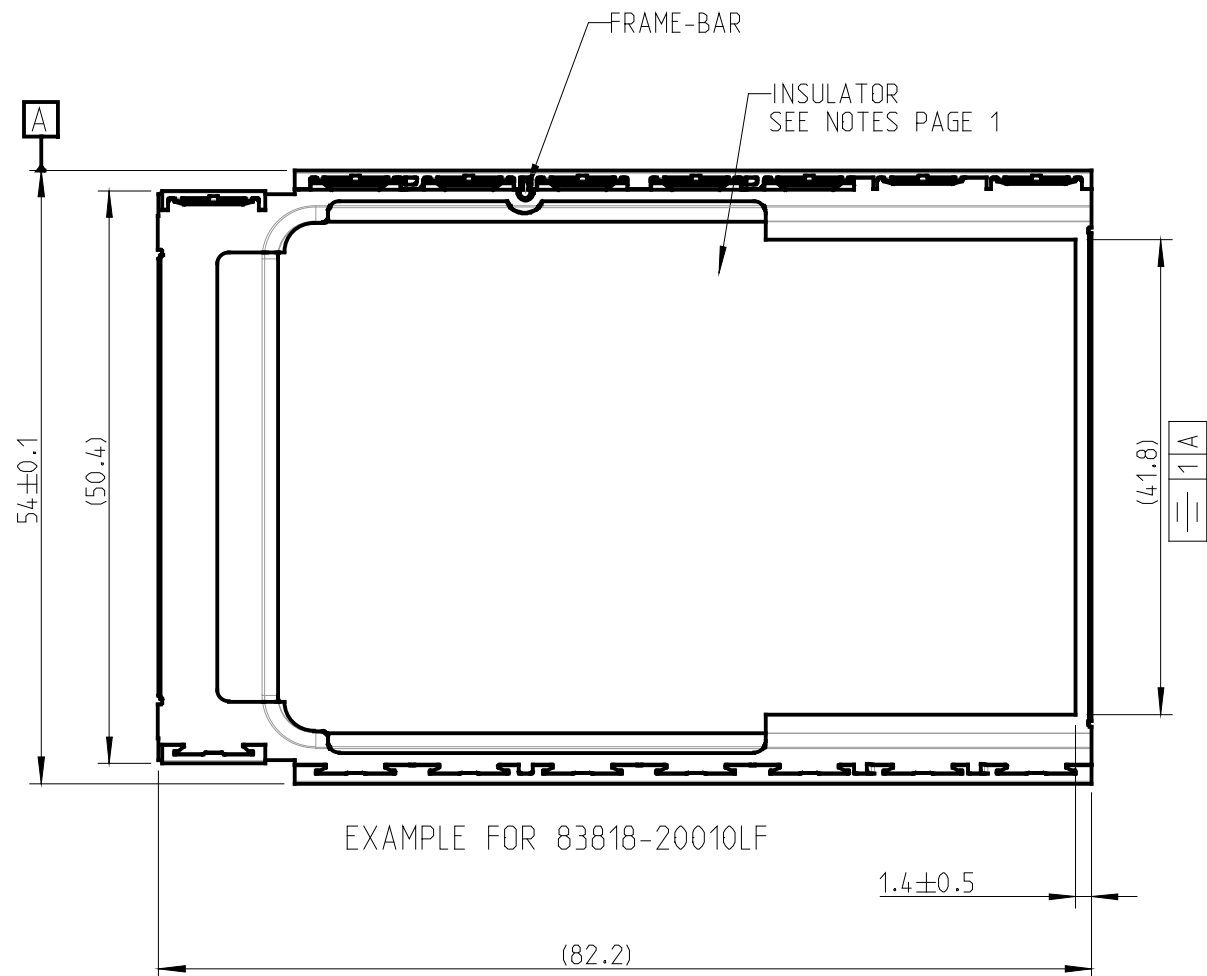
Material	-	Spec ref	GS-19-022
Mat code	-	surface	✓ ISO 1302
Heat treat	-	tolerance	ISO 406
Plating/Finish	-		ISO 1001
Dr	L, SAILLARD 05-06-10	projection	 mm
Eng	L, SAILLARD 05-06-10	size	A4 Scale 1:1
Chr	G, PEQUIGNOT 05-06-10	Model Name	83818-20121-03
Appr /	/	Model Revision	I
		REL Level	RELEASED

	- CARDSHIELD		83818C	Rev.
	- ROCARD EXTENSION			F
Pro/E file	catalog no		CUSTOMER	sheet 1 of 3



STANDARD PART NUMBER	LABEL RECESS	MADE FROM		
		CARDSHIELD	FRAME-BAR	INSULATOR
83818-20000LF	NO	10047174-2000	YES	NO
83818-20000				
83818-20010LF	NO	10047174-2000	YES	YES
83818-20010				
83818-20100LF	YES	10047174-2010	YES	NO
83818-20100				
83818-20110LF	YES	10047174-2010	YES	YES
83818-20110				

STANDARD CARDBUS PART NUMBER	LABEL RECESS	MADE FROM		
		CARDSHIELD	FRAME-BAR	INSULATOR
83818-20001LF	NO	10047174-2001	YES	NO
83818-20001				
83818-20011LF	NO	10047174-2001	YES	YES
83818-20011				
83818-20101LF	YES	10047174-2011	YES	NO
83818-20101				
83818-20111LF	YES	10047174-2011	YES	YES
83818-20111				



ON 83818-20XXXLF, THE SUFFIX "LF" IS ADDED FOR LEAD FREE IDENTIFICATION. THIS PRODUCT MEETS EUROPEAN UNION DIRECTIVES AND OTHER COUNTRY REGULATIONS AS PER GS-22-008. PACKAGING SPECIFICATION GS-14-920.

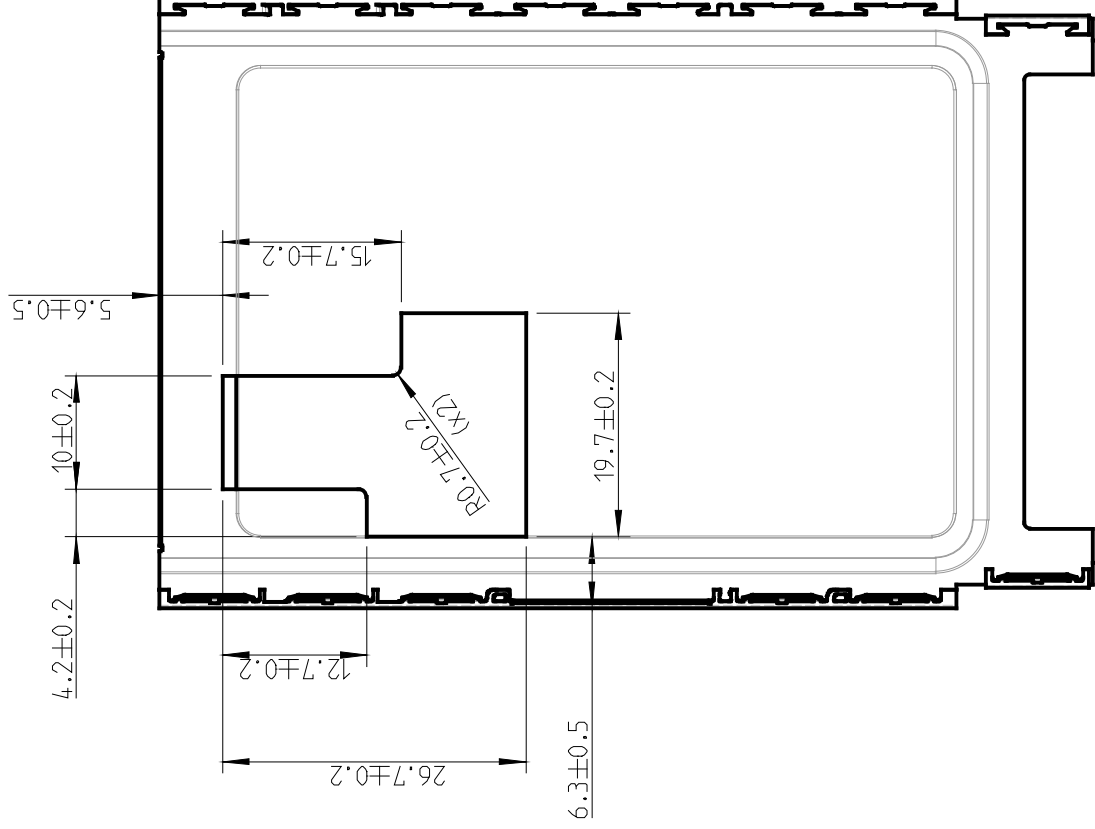
Copyright FCI.



	title - STANDARD CARDSHIELD - ROCARD CARDSHIELD	dwg no 83818C	Rev. F
	catalog no -	CUSTOMER	sheet 2 of 3

PART NUMBER
83818-20121-04LF

83818-20XXX-XX IS SIMILAR TO 83818-20XXX-XXLF, THE SUFFIX "LF" IS ADDED FOR LEAD FREE IDENTIFICATION. THIS PRODUCT MEETS EUROPEAN UNION DIRECTIVES AND OTHER COUNTRY REGULATIONS AS PER GS-22-008. PACKAGING SPECIFICATION GS-14-920.



NOTES :

- INSULATOR :
 - MATERIAL : POLYESTER FOIL
 - DIELECTRIC STRENGTH = 2 500 V
 - TEMPERATURE RANGE : -40 °C TO +85 °C
- PACKAGED IN THERMOFORMED TRAY ACCORDING GS-14-995
500 PCS PER CARTON BOX.

CUSTOMIZED PRODUCT

Material	-	Spec ref	GS-19-022	projection		mm
Mat code	-	surface	✓	tolerance	ISO 406	
Heat treat	-		ISO 1302		ISO 1001	
Plating/Finish	-			size	A4	Scale 1:1
Dr	L. SAILLARD 05-06-10			Product family	PCMCIA	
Eng	L. SAILLARD 05-06-10			Model Name	83818-20121-03	ECN F06-0213
Chr	G. PEQUIGNOT 05-06-10			Model Revision	I	REL Level RELEASED
Appr	/					
Pro/E file	+++ ++ +	- TOP CARDSHIELD		dwg no	83818C	
	catalog no	- RICOLA ANTENNA EXTENSION			Rev. F	
Pro/E file	catalog no	CUSTOMER		sheet 3 of 3		

