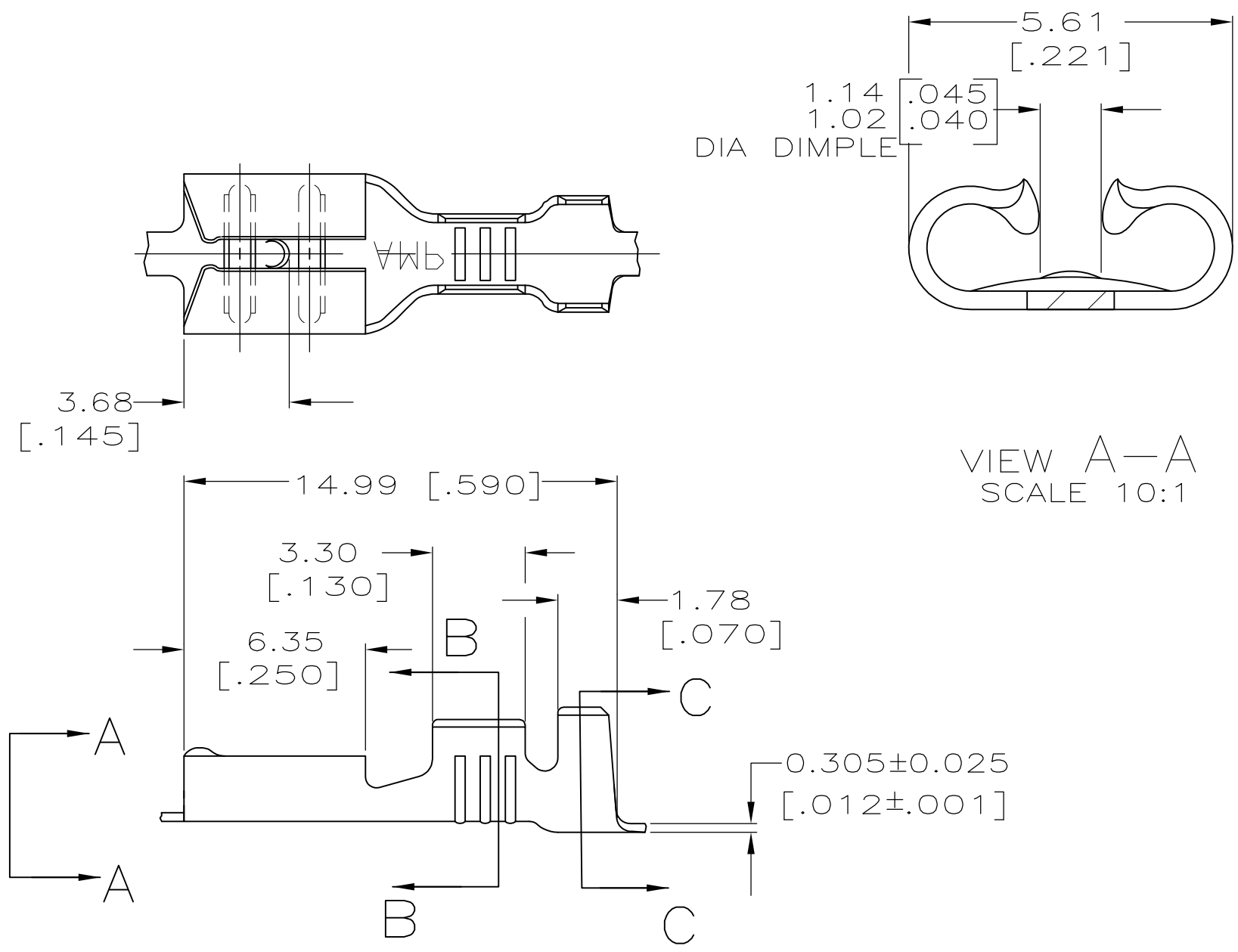
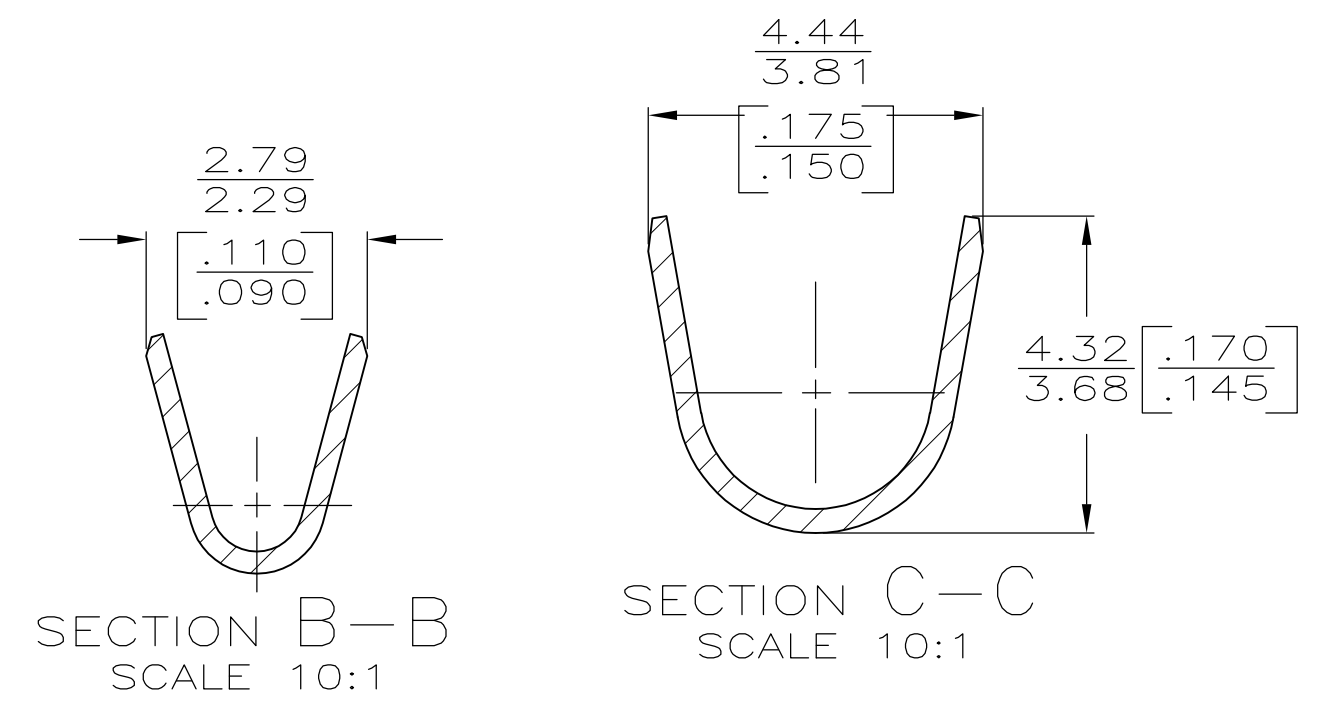


THIS DRAWING IS UNPUBLISHED. RELEASED FOR PUBLICATION  
 © COPYRIGHT - By - ALL RIGHTS RESERVED.

LOC	DIST	REVISIONS			
P	LTR	DESCRIPTION	DATE	DWN	APVD
AF	50	D	REVISED PER ECR-12-013518	23NOV2012	KH PD



1 CONTINUOUS STRIP ON REELS



2.29-3.30 [.090-.130]	[#22-#18] AWG	0.51±0.025 [.020±.001]	63347-1
INSULATION RANGE	WIRE SIZE	MATING TAB THICKNESS	PART NO

THIS DRAWING IS A CONTROLLED DOCUMENT.		DWN JR RUTH 2/8/96	TE Connectivity RECEPTACLE, FASTON <sup>TM</sup> 4.75 [.187] SERIES				
DIMENSIONS: mm [INCHES]		CHK P FORTNEY 2/8/96					
TOLERANCES UNLESS OTHERWISE SPECIFIED:		APVD J HUZVAR 2/8/96					
0 PLC ± - 1 PLC ± - 2 PLC ± 0.25 [.010] 3 PLC ± - 4 PLC ± - ANGLES ± -		PRODUCT SPEC -	NAME				
MATERIAL BRASS		FINISH -	APPLICATION SPEC 114-2036	SIZE A3	CAGE CODE 00779	DRAWING NO C-63347	RESTRICTED TO -
CUSTOMER DRAWING			WEIGHT -	SCALE 5:1	SHEET 1 OF 1	REV D	