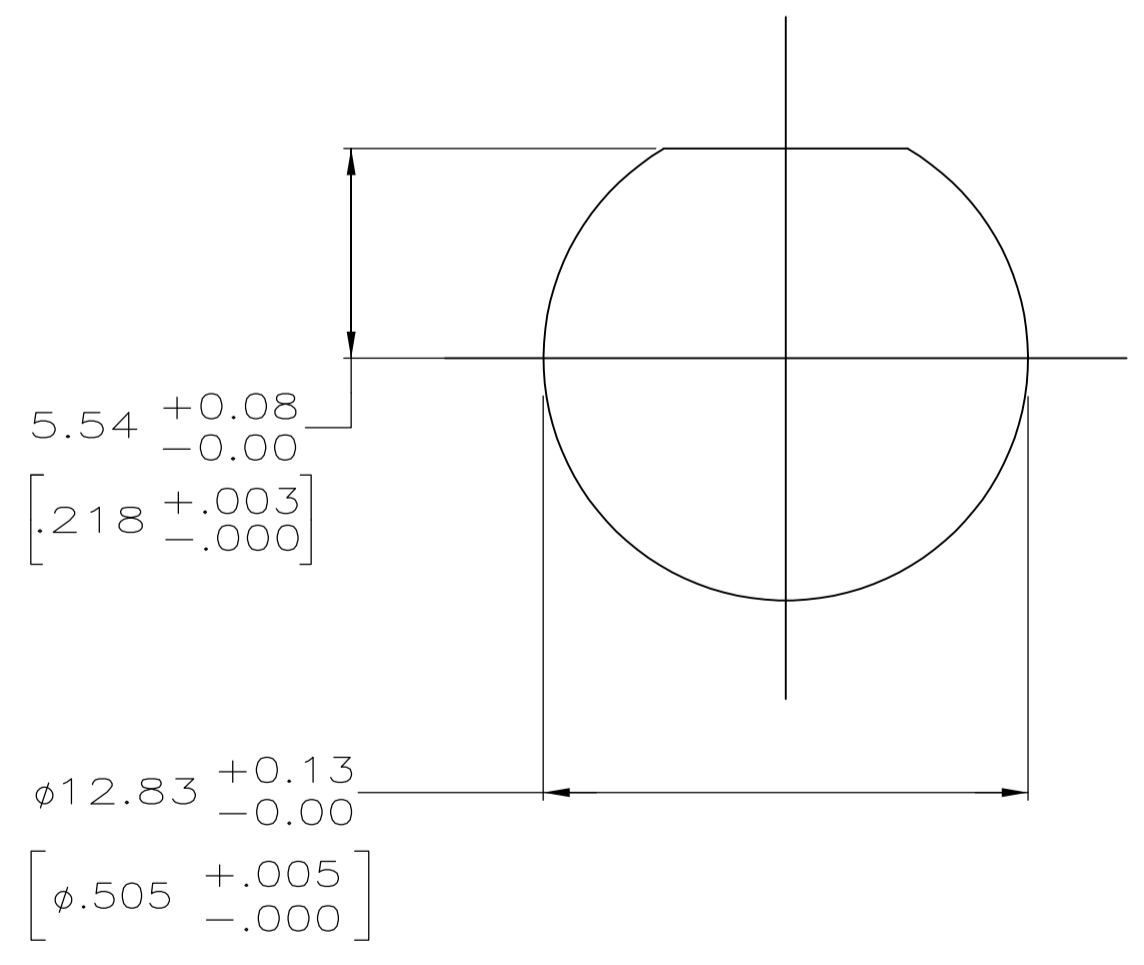
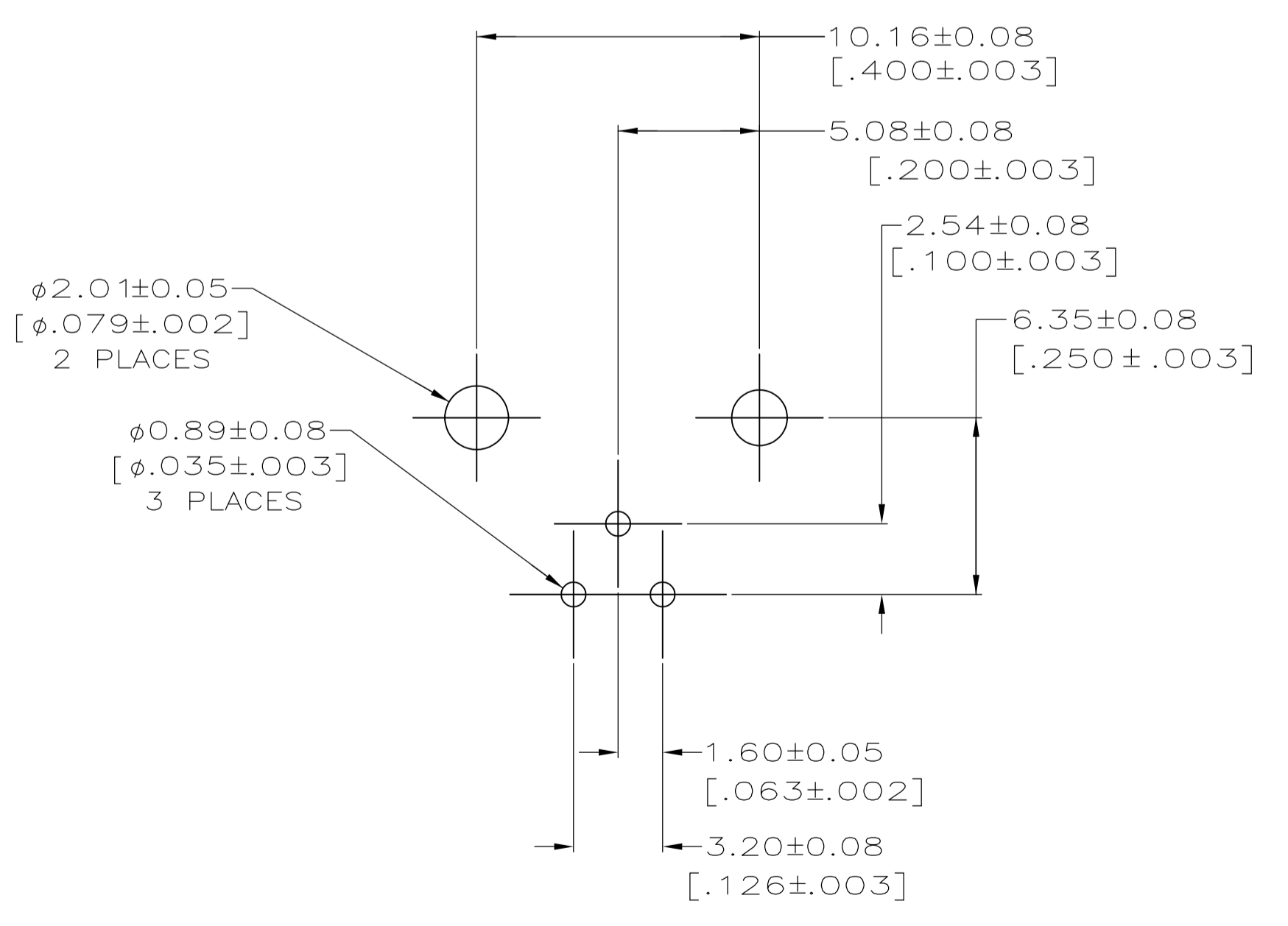


- 1 POLYESTER, PBT, 15% GLASS FIBER REINFORCED, NATURAL, PER MIL-M-24519.
- 2 ZINC PER QQ-Z-363.
- 3 POLYMETHYLPENTENE, GENERAL PURPOSE.
- 4 PHOSPHOR BRONZE PER QQ-B-750.
- 5 BRASS PER QQ-B-626.
- 6 BRASS PER ASTM-B-453.
- 7 NICKEL PL PER QQ-N-290, 3.81 µm [.000150] MINIMUM THICK
- 8 GOLD PL PER MIL-G-45204, 0.76 µm [.000030] MINIMUM THICK
- 9 TIN PL PER ASTM-B-545 3.81 µm [.000150] MINIMUM THICK



5228686-1
PART NO

THIS DRAWING IS A CONTROLLED DOCUMENT.		DIN L VARELA - DOCKS 21APR2005	TE Connectivity
DIMENSIONS: INCHES		CHK J. HAVENER 21APR2005	
TOLERANCES UNLESS OTHERWISE SPECIFIED:		APVD J. LIPPERT 21APR2005	NAME
0 PLC ± -			JACK ASSEMBLY, RIGHT ANGLE, PCB, SERIES TWIN BNC
1 PLC ± -			PRODUCT SPEC
2 PLC ± 0.20[.008]			APPLICATION SPEC
3 PLC ± -			SIZE
4 PLC ± -			CAGE CODE
ANGLES ± -			DRAWING NO
MATERIAL	FINISH	WEIGHT	RESTRICTED TO
△△△△△	△△△△△	-	A1 00779 C=5228686
CUSTOMER DRAWING		SCALE 5:1	SHEET 1 OF 1 REV A1