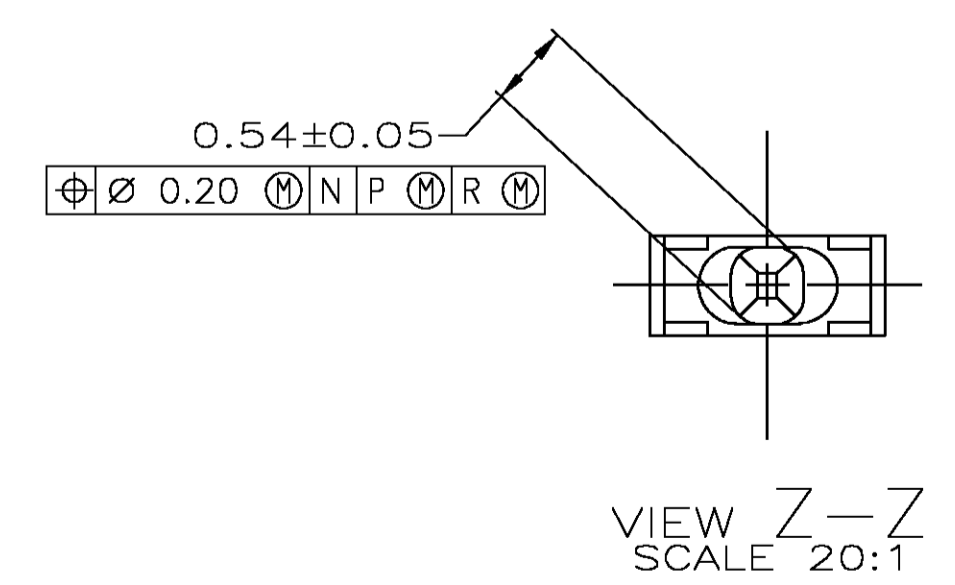
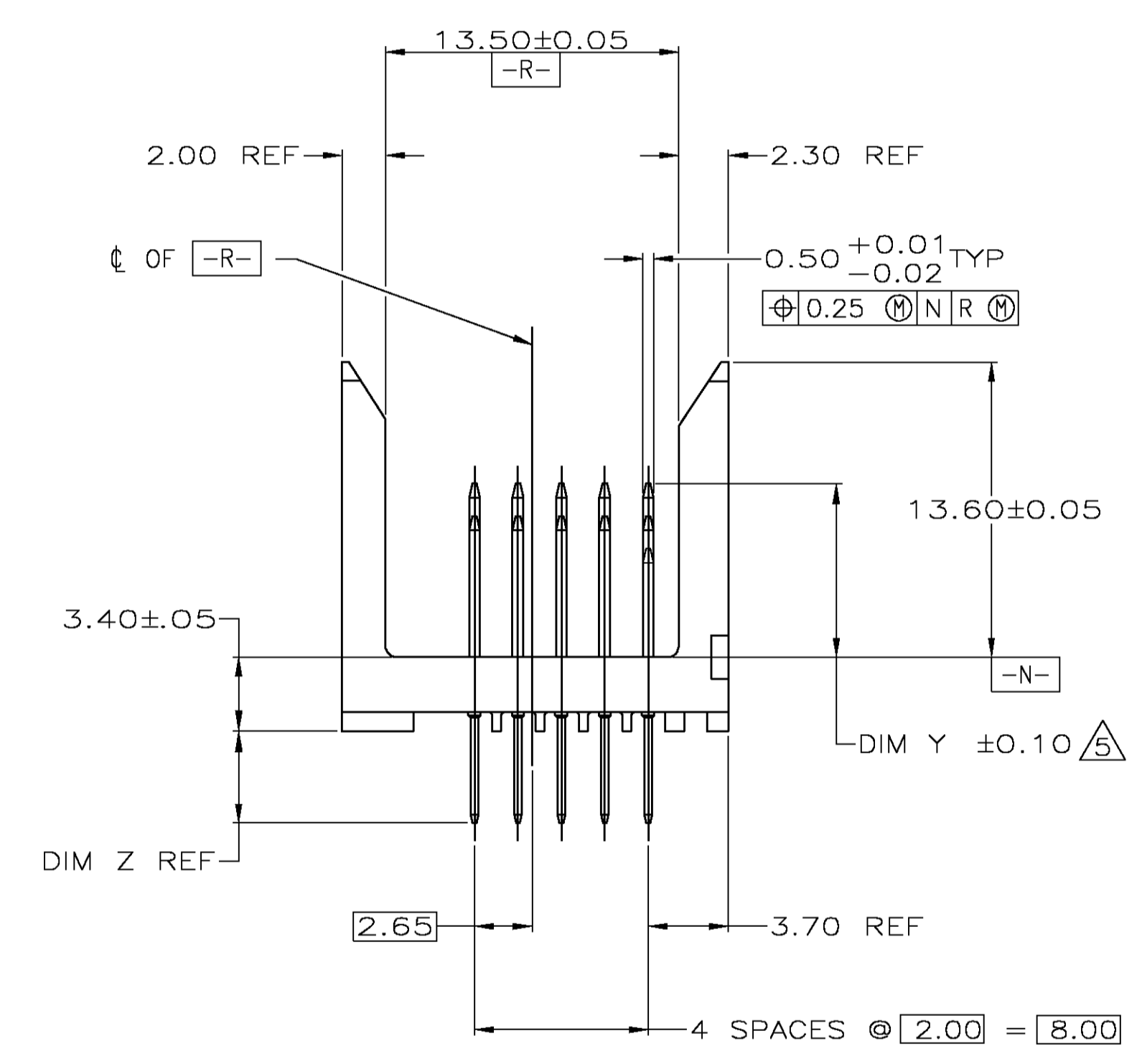


RECOMMENDED CIRCUIT PATTERN (COMPONENT SIDE)

E	A	T	J	J	J	J	E
D	J	T	J	J	J	J	D
C	J	T	J	J	J	J	C
B	T	T	J	J	J	J	B
A	T	T	J	J	J	J	A
	1	2	3	4	5	6	
CONTACT LOAD CHART							

- △ HOUSING MATERIAL: LIQUID CRYSTAL POLYMER. COLOR: NATURAL.
- △ CONTACT MATERIAL: PHOSPHOR BRONZE.
- △ CONTACT FINISH: (B)
UNDERPLATE (ENTIRE CONTACT):
0.00127 MIN NICKEL PER SAE-AMS-QQ-N-290
ON MATING SURFACES:
CONFORMS TO ALL TESTING SPECIFIED FOR TELCORDIA UNCONTROLLED ENVIRONMENT.
ON LEADS:
0.0006 MIN MATTE TIN PER ASTM B 545 OVER UNDERPLATE.
LUBRICATION (MIN MATING SURFACES):
SURFACE CONDITIONER AFTER PLATING.
- △ PART MARKING LOCATED APPROXIMATELY AS SHOWN.
- △ DIMENSION APPLIES WHEN SEATED ON PRINTED CIRCUIT BOARD.



△ 5223061-1
FINISH PART NUMBER

THIS DRAWING IS A CONTROLLED DOCUMENT.

DIMENSIONS: mm	TOLERANCES UNLESS OTHERWISE SPECIFIED:	DIN 9137 MCMMASTER 130E04	130E04	Tyco Electronics Corporation Harrisburg, Pa 17105-3608	
0 PLC ± -	1 PLC ± -	APVD R. WERTZ 130E04	130E04		
2 PLC ± 0.13	3 PLC ± -	NAME		PIN ASSEMBLY, Z-PACK 2mm FB, SIGNAL, VERTICAL, 5 ROW, 30 POSITION, SEQUENCED, WITH PRESS FIT LEADS	
4 PLC ± -	ANGLES ± -	APPLICATION SPEC			
MATERIAL	FINISH	SIZE	CAGE CODE	DRAWING NO	RESTRICTED TO
		A1	00779	5223061	
CUSTOMER DRAWING		SCALE	4:1	SHEET	1 OF 1