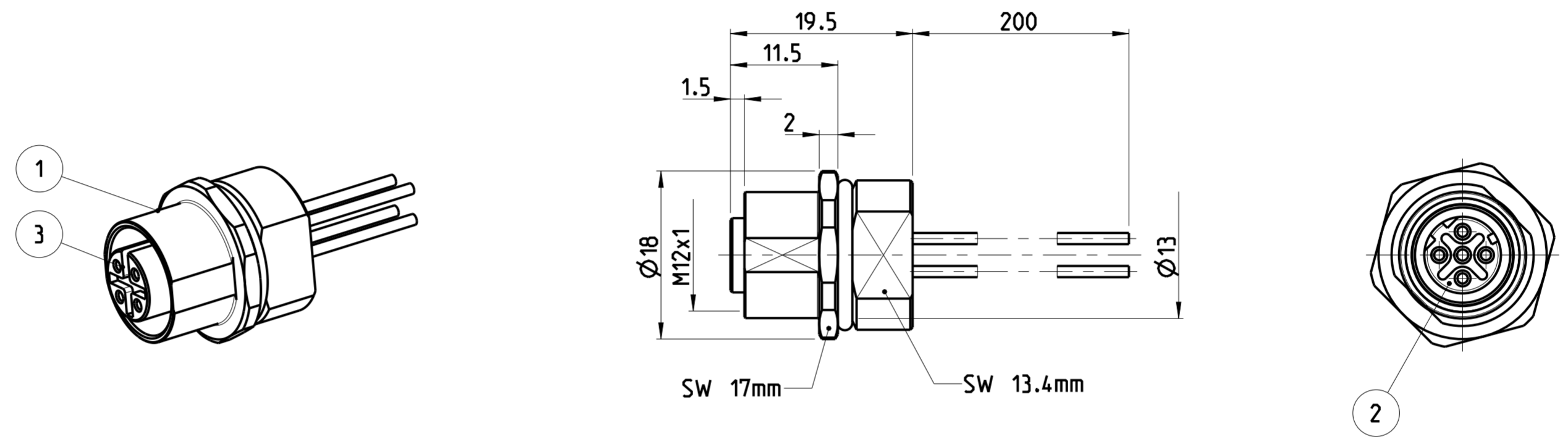


THIS DRAWING IS UNPUBLISHED. VERTRÄGLICHE UNVERÖFFENTLICHTE ZEICHNUNG. RELEASED FOR PUBLICATION FREI FÜR VERÖFFENTLICHUNG. 2014. DATED WITHIN PASSENDE ZU. COPYRIGHT 2014 Tyco Electronics AMP GmbH. ALL RIGHTS RESERVED. ALLE RECHTE VORBEHALTEN.

PROJECT NO.: PRJ-14-00000805

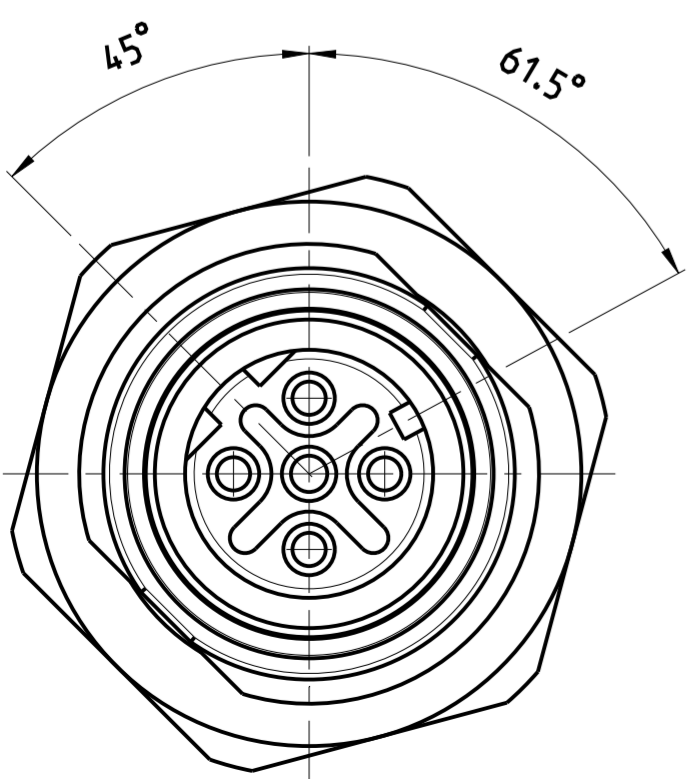
REVISIONS		DATE	DWN	APVD
P	LTR	DESCRIPTION		
A1		DRAWING PUBLISHED	30APR2014	YR CS

- 1 MATERIAL: ITEM NO. 1: HOUSING - ZINC DIECASTING, NICKEL PLATED  
 ITEM NO. 2: CONTACT BODY - PA  
 ITEM NO. 3: CONTACT - CuSn (bronze)  
 CONTACT FINISH - Au (gold)
- 2 ALL DIMENSIONS ARE FOR NOMINAL REFERENCE ONLY UNLESS OTHERWISE STATED
- 3 MEASUREMENT REFERENCE ONLY
- 4 PACKAGING: 1 PIECE IN A BAG



PIN ARRANGEMENT  
D-CODING (SCALE 4:1)

3-2271139-2



TECHNICAL DATA	3-2271139-2
RATED VOLTAGE	250V
RATED IMPULSE VOLTAGE	2500V
POLLUTION DEGREE	3
OVERVOLTAGE CATEGORY	II
MATERIAL GROUP	II
RATED CURRENT	-
VOLUME RESISTIVITY	≤ 3mΩ
DEGREE OF PROTECTION	IP67
UPPER TEMPERATURE	+85 °C
LOWER TEMPERATURE	-40 °C

24 / 0.25mm <sup>2</sup>	⚠	4	3-2271139-2
WIRES AWG / mm <sup>2</sup>	MATERIAL	NUMBER OF POLES	TE-PART-NO.

DIESE ZEICHNUNG IST EIN KONTROLLIERTES DOKUMENT. BEMASSUNGEN UND TOLERANZEN GEMAESS GPS (ISO STANDARDS).

THIS DRAWING IS A CONTROLLED DOCUMENT. DIMENSIONING AND TOLERANCING PER GPS (ISO STANDARDS).

DIMENSIONS: MASSE/MASSSTAB: IT/IT	TOLERANCES UNLESS OTHERWISE SPECIFIED: ALLGEMEINTOLERANZEN
0 PLC ±	1 PLC ±
1 PLC ±	2 PLC ±
2 PLC ±	3 PLC ±
3 PLC ±	4 PLC ±
ANGLES/WINKEL ±	FINISH/OBERFLÄCHE/FARBE
MATERIAL	

Customer Drawing

DWN YASHKUMAR 30APR2014	TE Connectivity	NAME M12 PANEL MOUNT RECEPTACLE CONNECTOR. D-CODING
CHK M.STRELOW 30APR2014		
APVD C.SCHREITLINGER 30APR2014		
PRODUCT SPEC	SIZE A2	CAGE CODE 00779
APPLICATION SPEC	DRAWING NO. C-2271139	RESTRICTED TO MUR FUER
VERARBEITUNGSSPEZ.	SCALE MASSSTAB 4:1	SHEET BLATT 1 OF 1
WEIGHT GEWICHT	REV A1	

SIZE ISO 14405 (E)