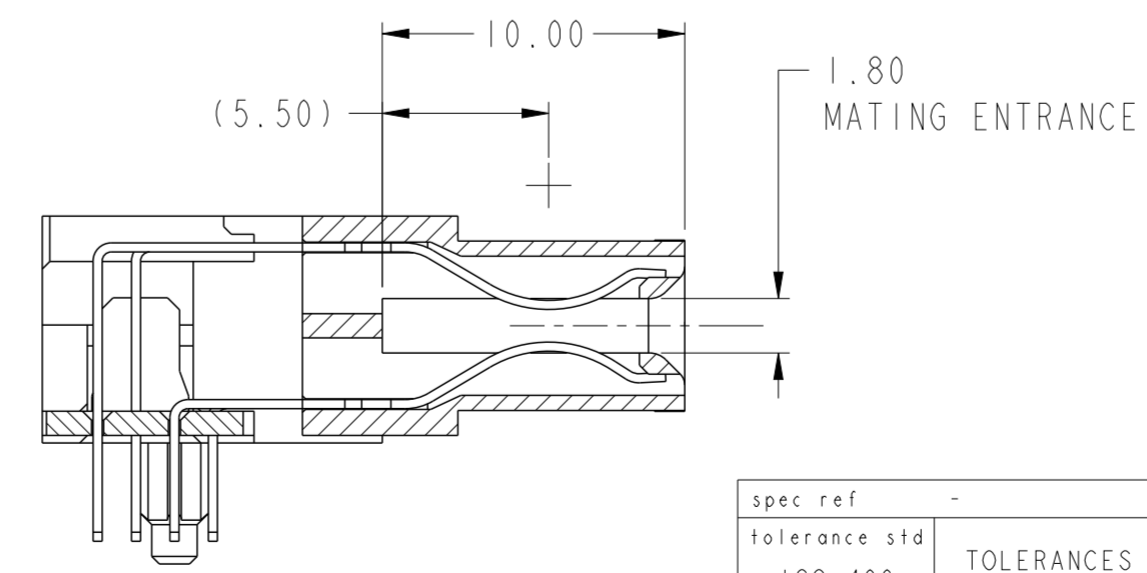


SECTION C-C

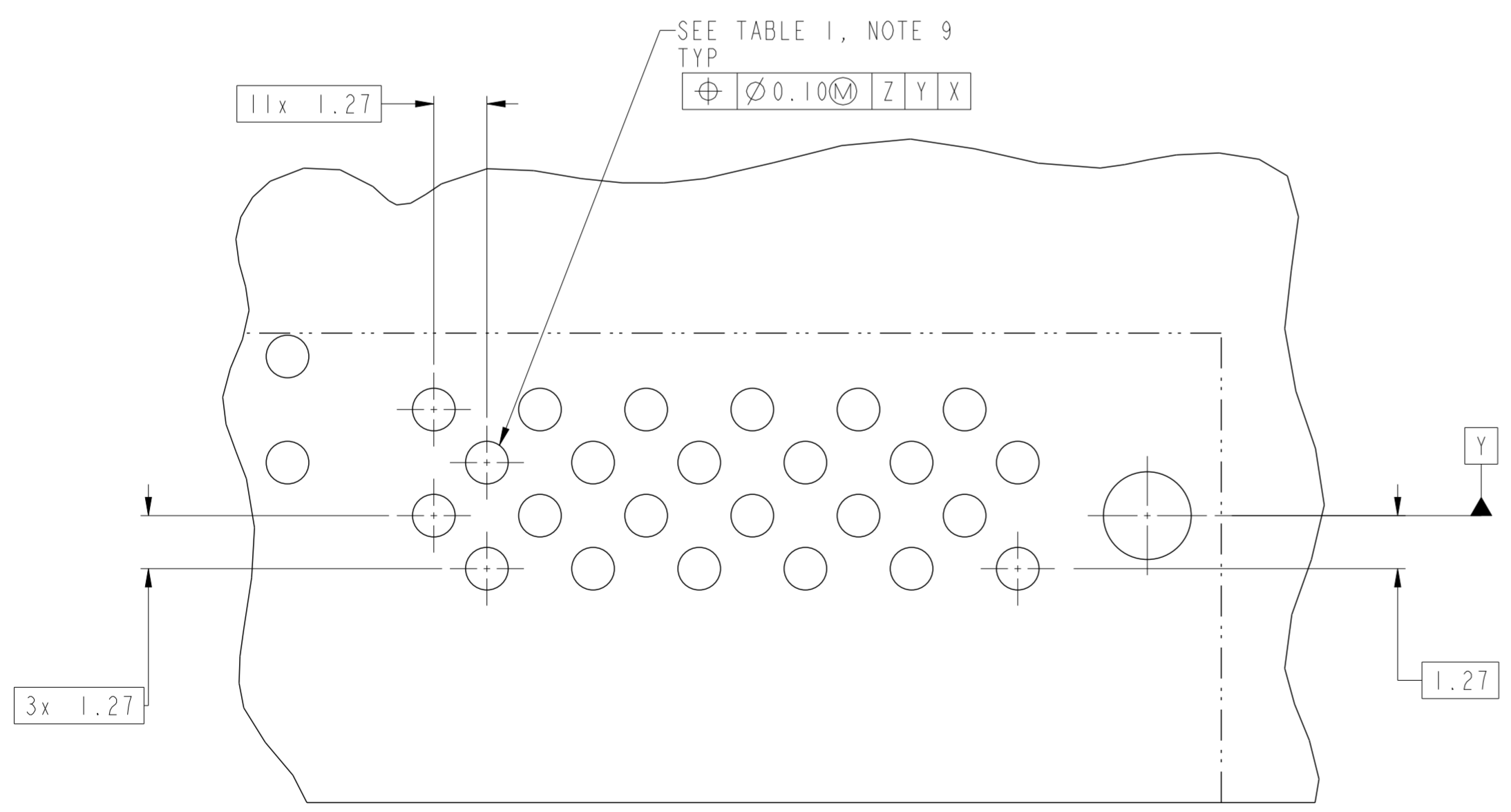
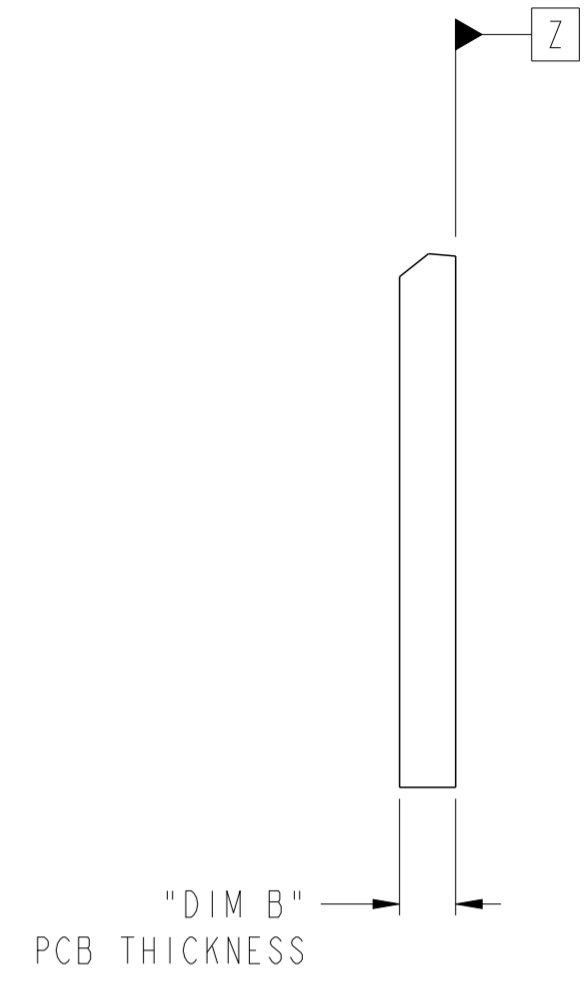
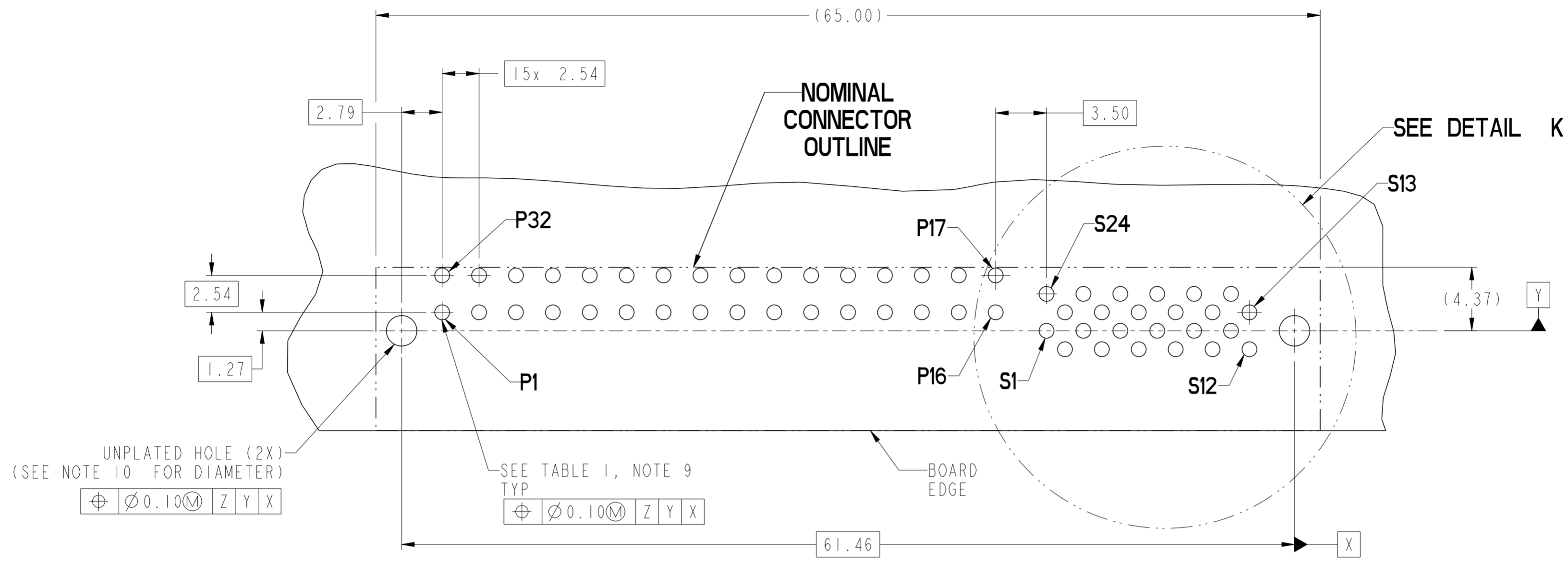


SECTION D-D

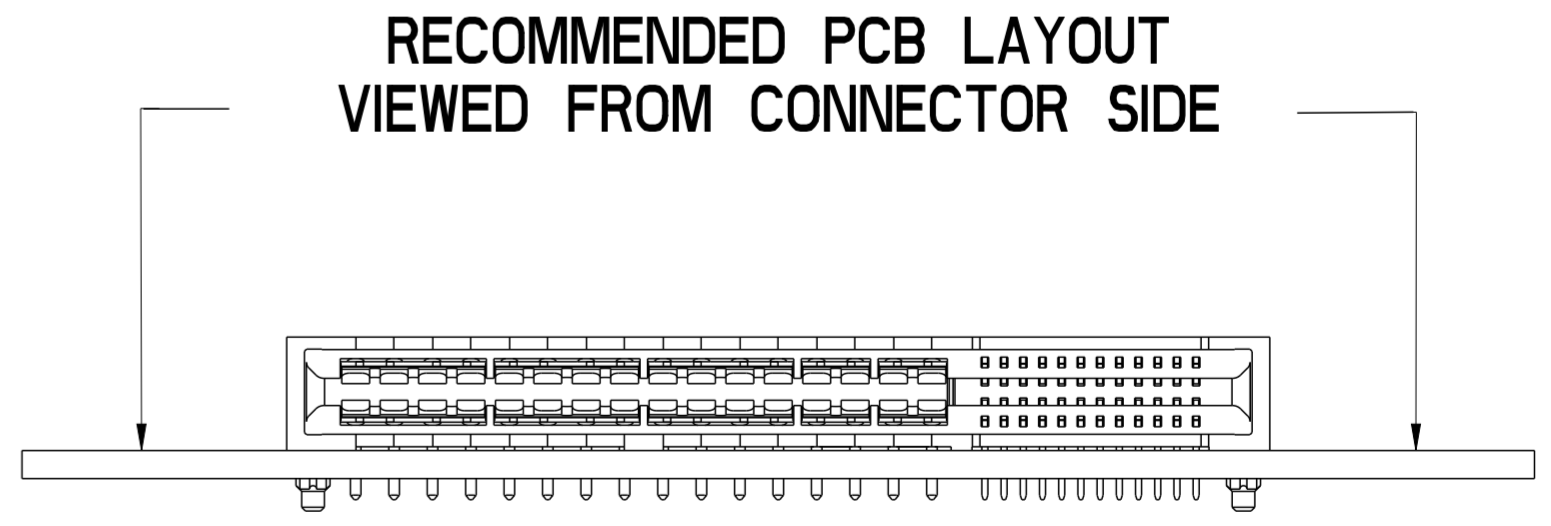
| | | | | | | | | | | |
|---------------|--|-------------|----------------|------------|----------------|------|--------|-----------|------------------------|----------|
| spec ref | - | dr | Julia Wang | 2012/1/19 | projection | MM | size | A2 | scale | 4:1 |
| tolerance std | ISO 406 ISO 1101 | eng | Julia Wang | 2013/10/24 | | | ecn no | - | Released | rev A |
| surface | ISO 1302 | chr | - | cat. no. | | | - | rel level | | |
| linear | 0.X ±0.50 0.XX ±0.25 0.XXX ±0.10 | appr | Pei-Ming Zheng | 2013/10/24 | product family | HPCE | dwg no | 10123441 | Product - Customer Drw | |
| angular | 0° ±2° | www.fci.com | | | | | | | | |

| rev | ecn no | dr | date |
|-----|--------|----|------------|
| A | - | JW | 2013-09-25 |
| - | - | - | - |
| - | - | - | - |
| - | - | - | - |
| - | - | - | - |
| - | - | - | - |

Copyright FCI. FCI



DETAIL K
SCALE 8:1

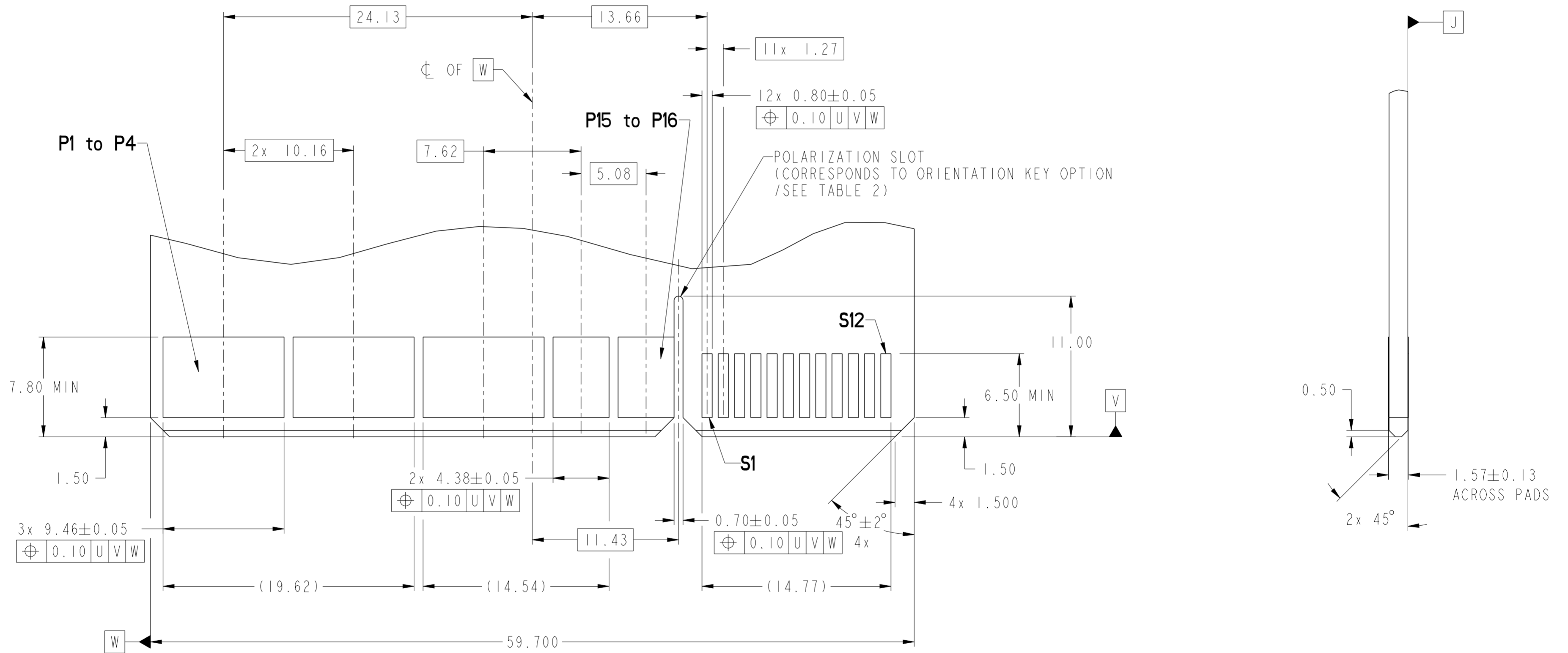


| | | | | | | | | |
|------|----------------|------------|-------------|----|----------------|-----------------------|-----------|------------------------|
| dr | Julia Wang | 2012/1/19 | projection | MM | size | A2 | scale | 4:1 |
| eng | Julia Wang | 2013/10/24 | | | ecn no | - | rel level | Released |
| chr | - | - | | | product family | HPCE | | |
| appr | Pei-Ming Zheng | 2013/10/24 | | | title | RIGHT ANGLE RECETACLE | | rev |
| | | | www.fci.com | | cat. no. | - | | Product - Customer Drw |
| | | | | | dwg no | 10123441 | | A |
| | | | | | sheet | 2 of 4 | | |

Copyright FCI. FCI

| CONTACT TYPE | TOP LAYER DESCRIPTION | TABLE 1 (HPCE / SOLDER TAILS) PLATED THROUGH-HOLE REQUIREMENTS | | | | |
|----------------|-----------------------|---|------------------|--------------------|---------------|------------------------|
| | | DRILLED HOLE DIAMETER | COPPER THICKNESS | TIN-LEAD THICKNESS | TIN THICKNESS | FINISHED HOLE DIAMETER |
| POWER & SIGNAL | TIN-LEAD | 1.10-1.16 (1.15 DRILL) | 0.025 - 0.050 | 0.005 - 0.015 | -- | 0.94 - 1.10 |
| | IMMERSION TIN | 1.10-1.16 (1.15 DRILL) | 0.025 - 0.050 | -- | 0.9 - 1.5um | 0.94 - 1.10 |
| | COPPER (SEE NOTE 8) | 1.10-1.16 (1.15 DRILL) | 0.025 - 0.050 | -- | -- | 0.94 - 1.10 |

RECOMMENDED MATING BOARD FOOTPRINT

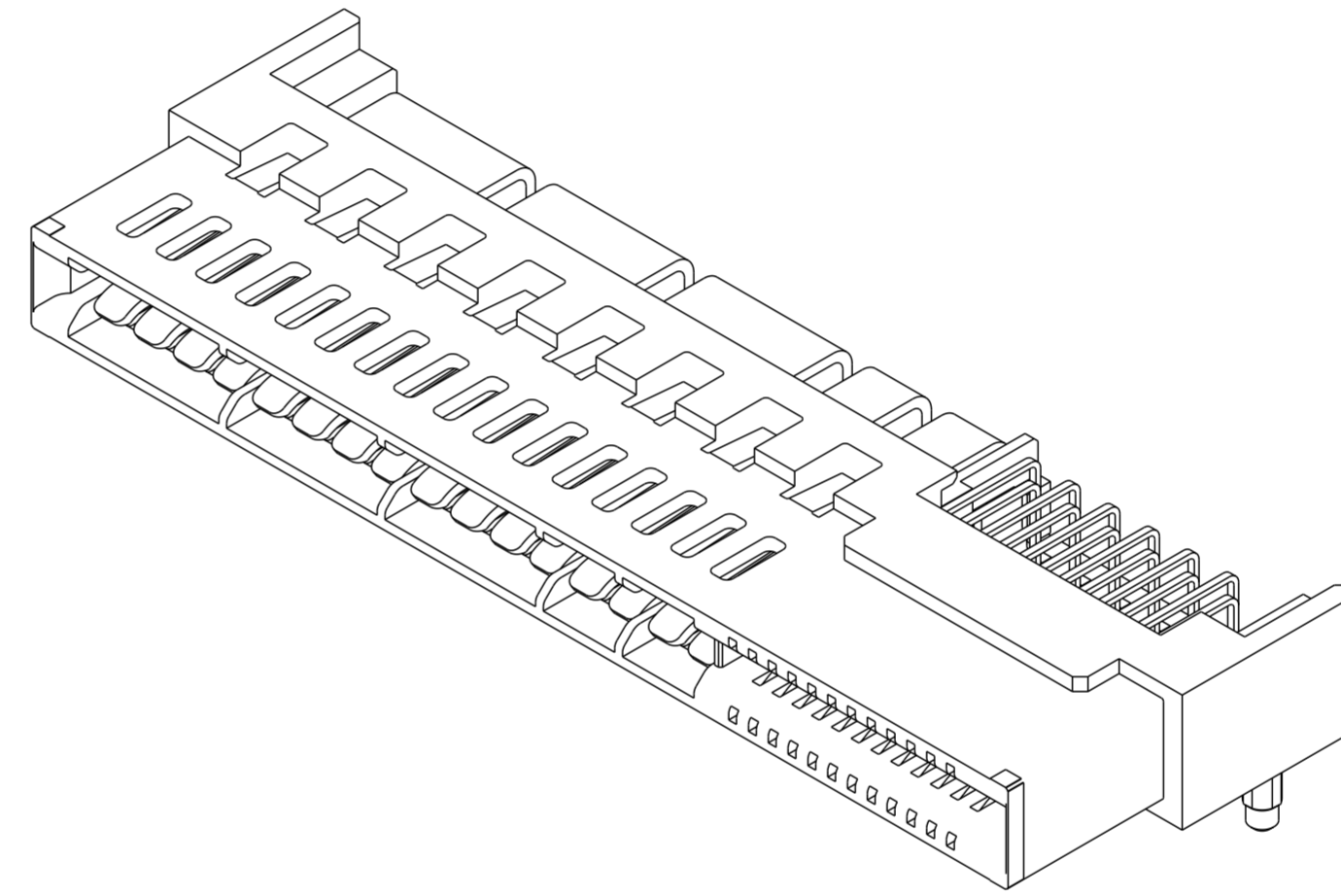


| | | | | | | | | |
|-------------|----------------|--|------------------------|----------|--------------|----------|-------|-----|
| dr | Julia Wang | 2012/1/19 | projection | MM | size | A2 | scale | 4:1 |
| eng | Julia Wang | 2013/10/24 | | | ecn no | - | | |
| chr | - | - | | | rel level | Released | | |
| appr | Pei-Ming Zheng | 2013/10/24 | product family | HPCE | rel level | Released | | |
| | | RIGHT ANGLE RECETACLE 32P24S | dwg no 10123441 | rev A | | | | |
| www.fci.com | | cat. no. | Product - Customer Drw | | sheet 3 of 4 | | | |



HPCE PART NUMBER (TABLE 2)

| PART NUMBER | TAIL TYPE | HOLD-DOWN OPTION | ORIENTATION KEY | DIM "A" TYPICAL TAIL LENGTH | DIM "B" RECOMMENDED PCB THICKNESS |
|----------------|-------------|------------------|-----------------|-----------------------------|-----------------------------------|
| 10123441-001LF | SOLDER TAIL | NO | YES | 2.80±0.25 | 1.57 MIN. |
| 10123441-002LF | | | NO | | |
| 10123441-003LF | | YES | YES | | |
| 10123441-004LF | | | NO | | |



NOTES:

1. CONNECTOR MATERIALS:
 HOUSING: HIGH TEMPERATURE THERMAL PLASTIC, BLACK
 UL 94V-0 COMPLIANT
 CONTACTS: HIGH PERFORMANCE COPPER ALLOY.
2. CONTACT FINISH REF. GS-12-604 SECTION 5.2.
3. PRODUCT SPECIFICATION: GS-12-604.
4. APPLICATION SPECIFICATION: GS-20-128.
5. PRODUCT MARKING (FCI - PART NUMBER & DATE CODE) ON HOUSING IN AREA SHOWN.
6. PACKAGING MEETS FCI SPECIFICATION GS-14-937.
7. HOUSING COMPONENT WILL WITHSTAND EXPOSURE TO 260°C PEAK TEMPERATURE FOR 60 SECONDS IN A CONVECTION, INFRA-RED, OR VAPOR PHASE REFLOW OVEN.
8. COPPER PLATING THICKNESS IN CENTER OF VIA-HOLE CAN BE NO MORE THAN 0.003 LESS THAN OTHER AREAS.
9. ALL HOLE SIZES ARE FINISHED HOLE SIZES.
10. MOUNTING HOLES ARE UNPLATED
 \varnothing 2.18 +/- 0.03 FOR SOLDER TAILS

| | | | | | | | | |
|-------------|----------------|------------|------------|----|------------------------|-----------------------|--------------------------------|-----|
| dr | Julia Wang | 2012/11/19 | projection | MM | size | A2 | scale | 4:1 |
| eng | Julia Wang | 2013/10/24 | | | ecn no | - | rel level | |
| chr | - | - | | | product family | HPCE | Released | |
| appr | Pei-Ming Zheng | 2013/10/24 | | | title | RIGHT ANGLE RECETACLE | | rev |
| www.fci.com | | | cat. no. | - | Product - Customer Drw | sheet 4 of 4 | dwg no 10123441 rev A | |