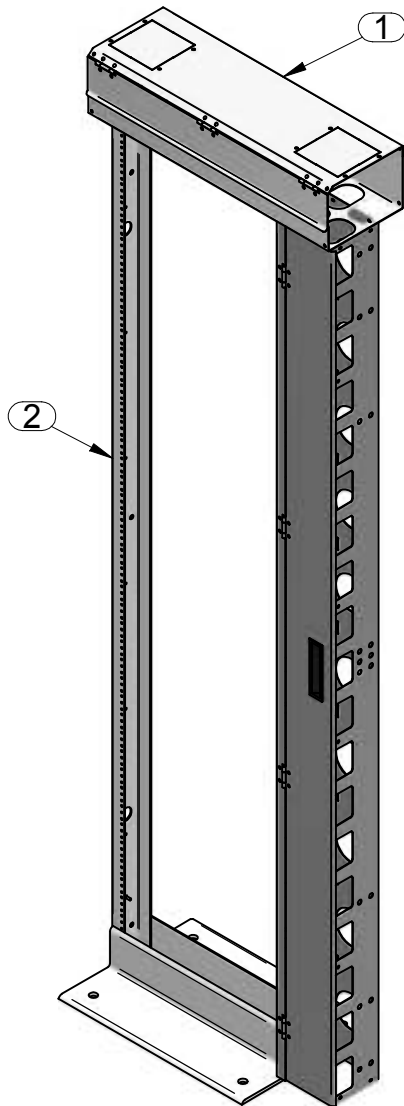


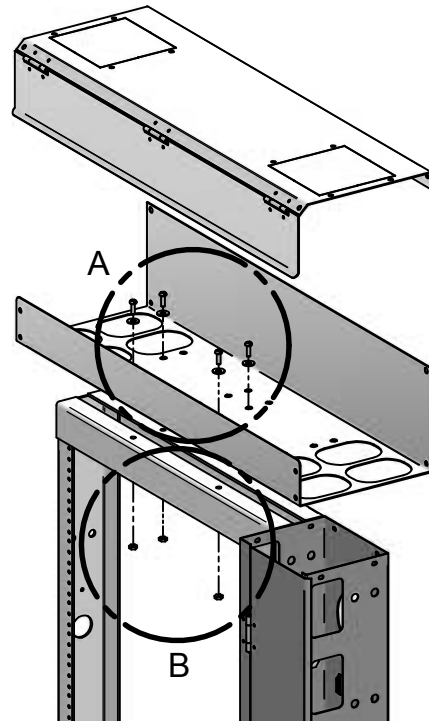
# TOP MANAGER

## ASSEMBLY INSTRUCTIONS FOR TOP MANAGERS INSTALLATION

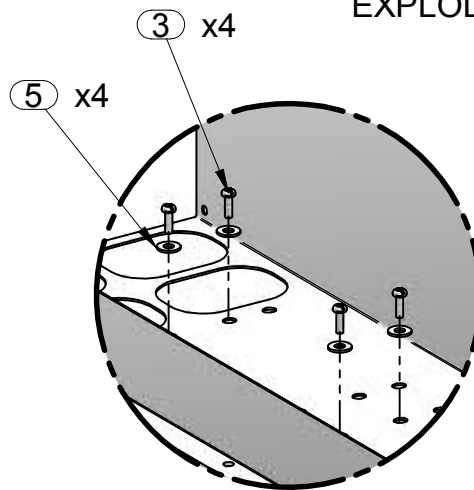
BUL10279  
REV. A  
PAGE 1 OF 1



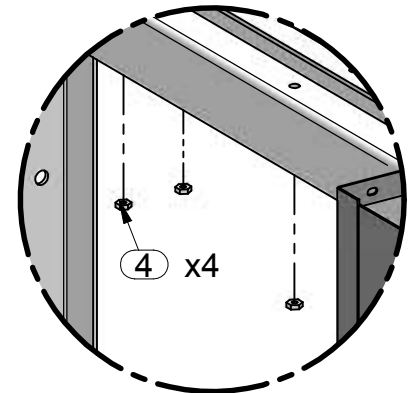
COMPLETE ASSEMBLY



EXPLODED ASSEMBLY



DETAIL A



DETAIL B

PARTS LIST		
ITEM No.	DESCRIPTION	QTY
1	TOP MANAGER	1
2	RELAY RACK	1
3	SCREW 10-32 x 5/8"	4
4	10-32 KEP NUT	4
5	WASHER FLAT #10	4

### ASSEMBLY INSTRUCTIONS:

- A) Insert 4 of item #5 and item #3 in item #1 as shown in detail A.
- B) Line up holes in the top of item #2 with item #3 placed in top manager and install item #4. [Detail B]

#### TOOL BOX



Phillips  
Screw Driver



Open End  
Wrench



visit our website @ [www.hammondmfg.com](http://www.hammondmfg.com)