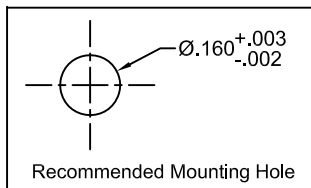
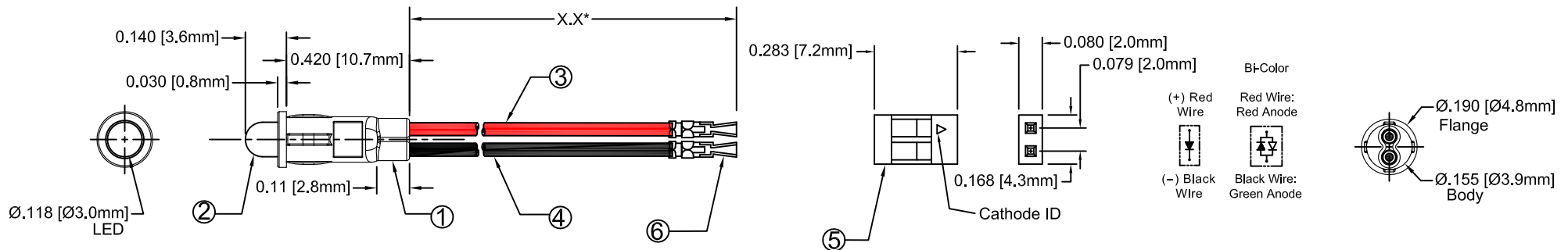


ITEM	Q'TY	PART NUMBER	PART DESCRIPTION
1	1	PM3	LED Holder, Panel Mount, Press Fit, (3mm)
2	1	3XXX-S	T-1 (3mm) Non-Flange Low Current LED, See Page 2.
3	1	BWS24-1061-RD	24AWG Wire Lead U.L. 1061, Red
4	1	BWS24-1061-BK	24AWG Wire Lead U.L. 1061, Black
5	1	2065S020000	Leoco 2065 Series 2.00mm Crimp Type Socket, 1X
6	2	2065TPB0000	Leoco Terminal# 2065TPB0000 (Reel) 2065TPB00A0 (Bulk) 2X

REV.	DESCRIPTION	DATE	APPROVED
A	Engineering Release	06/21/11	T. Y.
B	Updated LED P/N to 3XXX-S in BOM	12/19/12	T. Y.

Note: Connector Shipped Non-Assembled in Separate Bag



EXAMPLE:  
**PM3RDW6.5\*-CC2**  
 Connector  
 Wire Length "X"  
 LED Color & Lens Appearance.  
 Series

\* X.X = Wire Length "X"


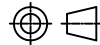
## ABSOLUTE MAXIMUM RATINGS (Ta = 25°C)

REVERSE VOLTAGE	5V
REVERSE CURRENT ( VR=5V)	100µA
OPERATING TEMPERATURE RANGE	-25°C ~ 85°C
STORAGE TEMPERATURE	-30°C ~ 100°C
LEAD SOLDERING TEMPERATURE (1/16" FROM BODY)	260°C for 5 Seconds

STANDARD TOLERANCE (UNLESS OTHERWISE SPECIFIED)		BIVAR®	
DECIMALS	ANGULAR	4 THOMAS, IRVINE, CA. 92618	
.X ± .1	X° ± 1°	TEL: (949) 951-8808 FAX: (949) 951-3974	
.XX ± .02		<b>TITLE:</b> T-1 (3mm) PANEL MOUNT ASSEMBLY	
.XXX ± .010		<b>PART NO:</b> PM3XXXWX.X-CC2	
DESIGNED: <b>M. Myers</b>	DATE: <b>06/21/11</b>	<b>REVISION:</b> B	
CHECKED: <b>R. Paje</b>	DATE: <b>06/21/11</b>	<b>CAGE CODE :</b> 32559	<b>SHEET # 1 OF 3</b>
CAD GENERATED DOCUMENT, DO NOT MEASURE DRAWING.			


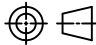
REV.	DESCRIPTION	DATE	APPROVED
	SEE SHEET#1.		

Assembly P/N	Peak Wave Length $\lambda_p$ (nm)	Emitted Color	Lens Appearance	Electro-Optical Data @ 20mA				Viewing Angle 2 $\theta$ $\frac{1}{2}$ (Deg)	LED P/N
				If (mA)	Vf (V)		Iv (mcd)		
					MAX	TYP			
PM3BWCWX.X-CC2	430	BLUE	WATER CLEAR	25	4	4.5	25	30	3BWC-S
PM3BWDWX.X-CC2	430	BLUE	DIFFUSED	25	4	4.5	10	40	3BWD-S
PM3BWTWX.X-CC2	430	BLUE	TINTED	25	4	4.5	25	30	3BWT-S
PM3GCWX.X-CC2	568	GREEN	WATER CLEAR	30	2.1	2.8	40	30	3GC-S
PM3GDWX.X-CC2	568	GREEN	DIFFUSED	30	2.1	2.8	25	40	3GD-S
PM3GTWX.X-CC2	568	GREEN	TINTED	30	2.1	2.8	40	30	3GT-S
PM3SGCWX.X-CC2	568	GREEN	WATER CLEAR	30	2.1	2.8	50	30	3SGC-S
PM3SGDWX.X-CC2	568	GREEN	DIFFUSED	30	2.1	2.8	30	40	3SGD-S
PM3SGTWX.X-CC2	568	GREEN	TINTED	30	2.1	2.8	50	30	3SGT-S
PM3YCWX.X-CC2	590	YELLOW	WATER CLEAR	30	2	2.8	40	30	3YC-S
PM3YDWX.X-CC2	590	YELLOW	DIFFUSED	30	2	2.8	20	40	3YD-S
PM3YTWX.X-CC2	590	YELLOW	TINTED	30	2	2.8	40	30	3YT-S
PM3ACWX.X-CC2	605	AMBER	WATER CLEAR	30	2	2.8	40	30	3AC-S
PM3ADWX.X-CC2	605	AMBER	DIFFUSED	30	2	2.8	25	40	3AD-S
PM3ATWX.X-CC2	605	AMBER	TINTED	30	2	2.8	40	30	3AT-S
PM3HCWX.X-CC2	625	HE RED	WATER CLEAR	30	2	2.8	50	30	3HC-S
PM3HDWX.X-CC2	625	HE RED	DIFFUSED	30	2	2.8	30	40	3HD-S
PM3HTWX.X-CC2	625	HE RED	TINTED	30	2	2.8	50	30	3HT-S
PM3RCWX.X-CC2	700	RED	WATER CLEAR	20	2.1	2.8	2.5	30	3RC-S
PM3RDWX.X-CC2	700	RED	DIFFUSED	20	2.1	2.8	2	40	3RD-S
PM3RTWX.X-CC2	700	RED	TINTED	20	2.1	2.8	2.5	30	3RT-S
PM3SRCWX.X-CC2	645	SUPER RED	WATER CLEAR	30	1.7	2.4	60	30	3SRC-S
PM3SRDWX.X-CC2	645	SUPER RED	DIFFUSED	30	1.7	2.4	40	40	3SRD-S
PM3SRTWX.X-CC2	645	SUPER RED	TINTED	30	1.7	2.4	60	30	3SRT-S
PM3BCWX.X-CC2	625	HE RED	WHITE DIFFUSED	30	2	2.8	6	45	3BC
	568	GREEN		30	2.1	2.8	6		

STANDARD TOLERANCE ( UNLESS OTHERWISE SPECIFIED ) $\pm 10\%$ ALL VALUES		 <b>BIVAR</b> <sup>®</sup> 4 THOMAS, IRVINE, CA. 92618 TEL: (949) 951-8808 FAX: (949) 951-3974	
ANGULAR X° $\pm$ 5°			
		<b>TITLE:</b> T-1 (3mm) PANEL MOUNT ASSEMBLY	
DESIGNED: <b>M. Myers</b>	DATE: <b>06/21/11</b>	<b>PART NO:</b> PM3XXXWX.X-CC2	
CHECKED: <b>R. Paje</b>	DATE: <b>06/21/11</b>	<b>CAGE CODE :</b> 32559	<b>SHEET #</b> 2 OF 3
CAD GENERATED DOCUMENT, DO NOT MEASURE DRAWING.			

REV.	DESCRIPTION	DATE	APPROVED
	SEE SHEET#1.		

Assembly P/N	Chip			Lens Appearance	Absolute Max. Ratings			Electro-Optical Data @ 2mA			Viewing Angle 2 $\theta$ $\frac{1}{2}$ (Deg)	LED P/N
	Material	Peak Wave Length $\lambda_p$ (nm)	Emitted Color		Pd (mW)	If (mA)	Peak If(mA)	Vf (V)		Iv (mcd)		
								TYP	MAX	TYP		
PM3BVDLWX.X-CC2	GaN/siC	430	BLUE	DIFFUSED	20	7	-	3.8	4.2	2.5	40	3BVDL-S
PM3GDLWX.X-CC2	GaP/GaP	568	GREEN	DIFFUSED	10	7	-	2.1	2.6	2.0	40	3GDL-S
PM3PGDLWX.X-CC2	GaP/GaP	555	PURE GREEN	DIFFUSED	10	7	-	2.1	2.6	0.2	40	3PGDL-S
PM3YDLWX.X-CC2	GaAsP/GaP	590	YELLOW	DIFFUSED	10	7	-	2.0	2.6	2.0	40	3YDL-S
PM3ADLWX.X-CC2	GaAsP/GaP	605	AMBER	DIFFUSED	10	7	-	2.0	2.6	4.0	40	3ADL-S
PM3HDLWX.X-CC2	GaAsP/GaP	625	HE RED	DIFFUSED	10	7	-	2.0	2.6	2.5	40	3HDL-S
PM3RDLWX.X-CC2	GaP/GaP	700	RED	DIFFUSED	10	7	-	2.1	2.6	0.5	40	3RDL-S

STANDARD TOLERANCE ( UNLESS OTHERWISE SPECIFIED ) $\pm 10\%$ ALL VALUES		 <b>BIVAR</b> <sup>®</sup> 4 THOMAS, IRVINE, CA, 92618 TEL: (949) 951-8808 FAX: (949) 951-3974	
ANGULAR X° $\pm$ 5°			
DESIGNED: <b>M. Myers</b>		DATE: <b>06/21/11</b>	<b>TITLE:</b> T-1 (3mm) PANEL MOUNT ASSEMBLY
CHECKED: <b>R. Paje</b>		DATE: <b>06/21/11</b>	<b>PART NO:</b> <b>PM3XXXWX.X-CC2</b>
		<b>CAGE CODE : 32559</b>	<b>SHEET # 3 OF 3</b>
REVISION: <b>B</b>			
CAD GENERATED DOCUMENT, DO NOT MEASURE DRAWING.			