

## **Type 4X Polyester Single/Two Door Freestanding Enclosure** *PJFS*

### *Series*

#### **Continuous Hinge Door with Handle**



### **Application**

- Designed for use as instrument enclosures, electric, hydraulic or pneumatic control housings, electrical junction boxes or terminal wiring enclosures.
- Provides outstanding insulation and protection where equipment may be hosed down or be very wet.
- Ideal in applications with high temperatures or highly corrosive environments.

### **Standards**

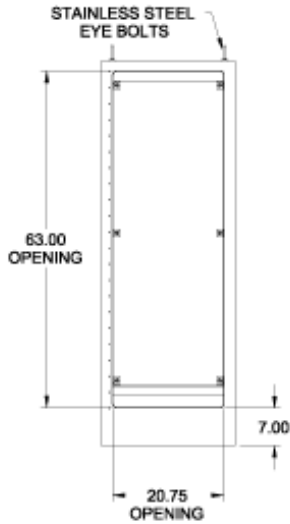
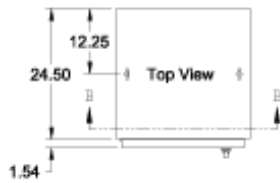
- UL/cUL 508 Type 1, 2, 3, 4, 4X, 12 and 13
- CSA Type 1, 2, 3, 4, 4X, 12 and 13
- Complies with
  - NEMA Type 1, 2, 3, 4, 4X, 12 and 13
  - IEC 60529, IP66

### **Construction**

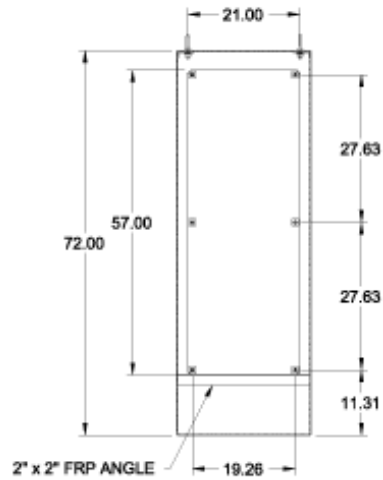
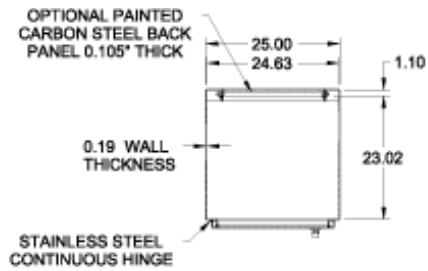
- Fiberglass polyester enclosure with matching door is easily punched, cut, or drilled.
- Enhanced UV inhibitors protect against outdoor weathering.
- Collar Studs are provided for optional inner panel.
- Mounting hardware included.
- Heavy duty continuous 304 SS Hinge.
- Flexible self-gripping gasket compresses over flange for tight seal.
- 3-point SS handle with pad lock provision.
- Molded in drip shield.
- Fiberglass mounting strut side walls on double door unit.
- Operating temperatures between 130°C and -40°C (266°F to -40°F).
- Impact index of 6.78J (5 ft/lb).
- For corrosion resistance information, please refer to table in the Technical Information section.

### **Finish**

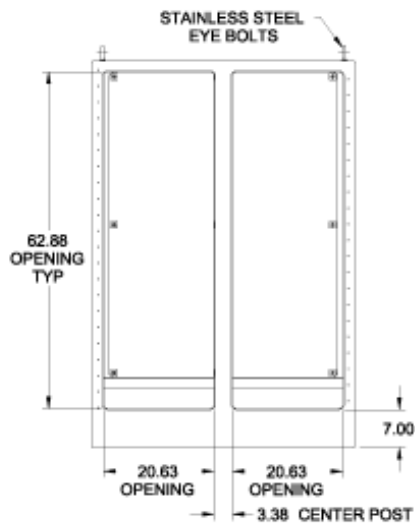
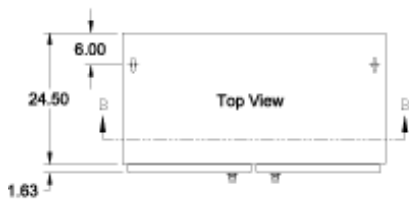
- Fiberglass polyester material has a gray finish.
- Optional inner panels are available in white powder coated finished steel.



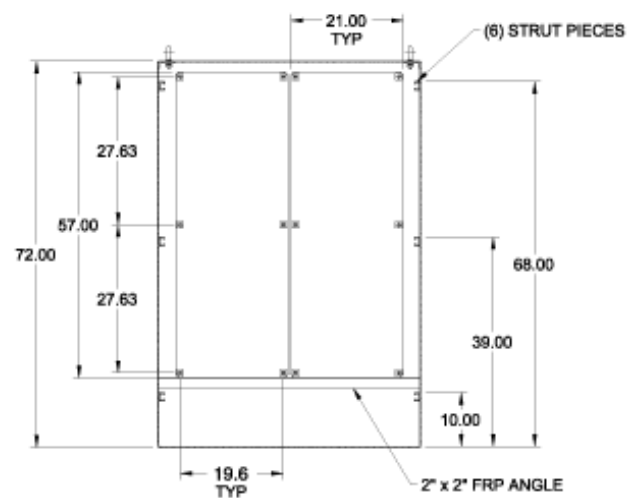
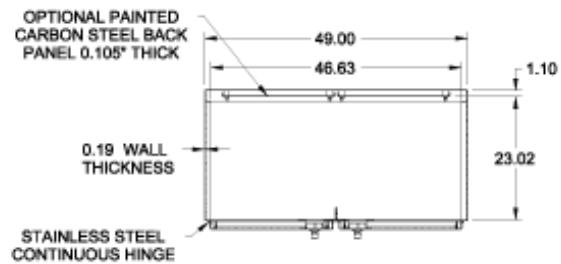
**Front View  
(with Single Door Open)**



**Internal View**



**Front View  
(with Double Doors Open)**



**Internal View**

Part No.	Enclosure				Panel		Notes	Finish	
	Height	Width	Depth	Ship Wt (lbs)	Panel Part No.	Height			Width
<b>PJFS722525</b>	72.00	25.00	24.50	215	<b>18P5721</b>	57.00	21.00	Qty 1 Required	White
<b>PJFS724925DD</b>	72.00	48.00	24.50	430	<b>18P5721</b>	57.00	21.00	Qty 2 Required	White

*Data subject to change without notice*

© 2017. Hammond Manufacturing Ltd. All rights reserved.