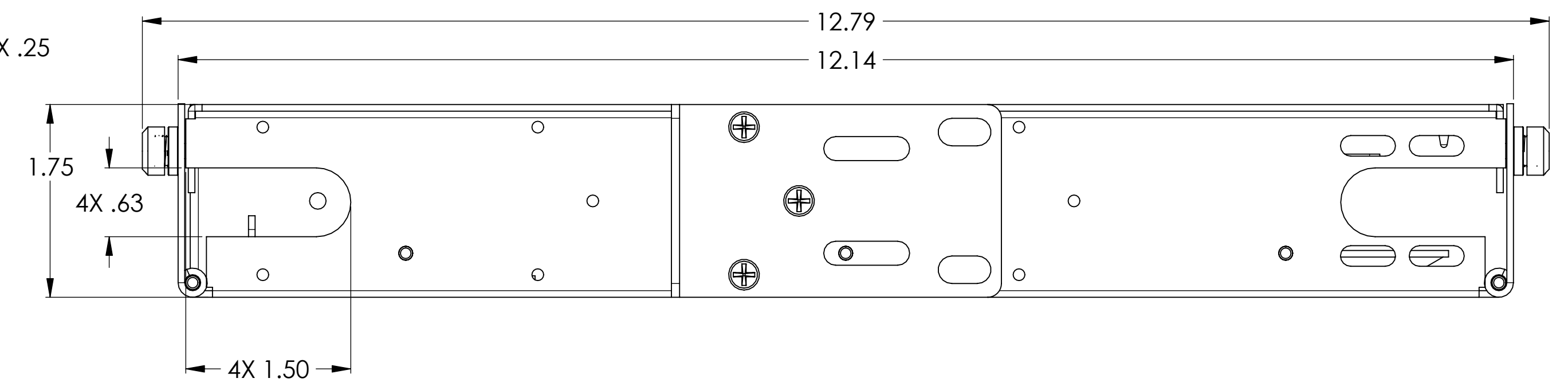
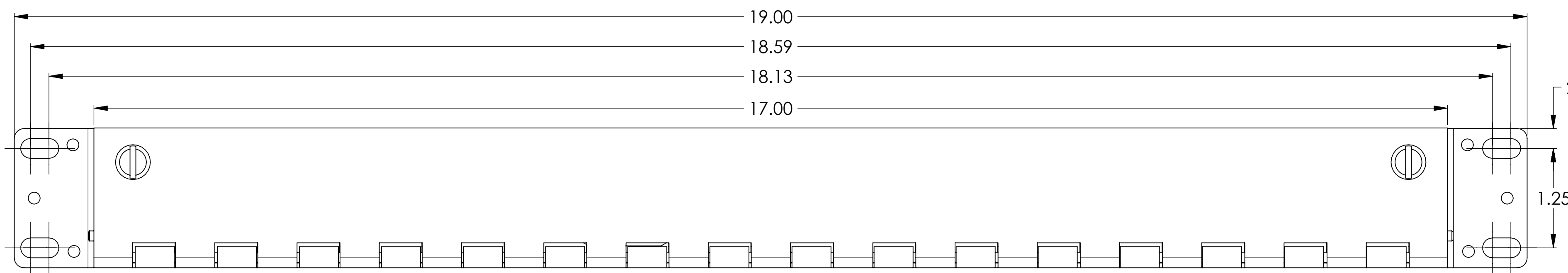


OPTIONAL BRACKET
MOUNTING POSITIONS



HellermannTyton.
ALL PROPRIETARY RIGHTS IN THE SUBJECT MATTER SHOWN ON THIS DRAWING ARE EXCLUSIVE PROPERTY OF HELLERMANN TYTON

name	date	city_state

NOTES

REVISION	level	01
	by	AAC
	date	11/20/2006
	ECN #	010551
	part level	-

DIMENSIONS	.XXXX = ±.0005
	.XXX = ±.005
	.XX = ±.01
	.X = ±.03
	∠ = ±0.5°
units	inches

PART	number	FERM18S	phase	Production
	name	1U FIBER OPTIC SPLICE BOX		
	material	STEEL 0.06 THICK		

DRAWING	format	D	SW 2007	scale	12:1
	version	N			
	computer file number	FI3001004CST_01	previous number		
	drawn	AAC	checked	KAC	approved
	date	11/20/2006	checked	11/20/2006	approved
type	Customer	sheet	1 of 1		
number	FI3001004CST				