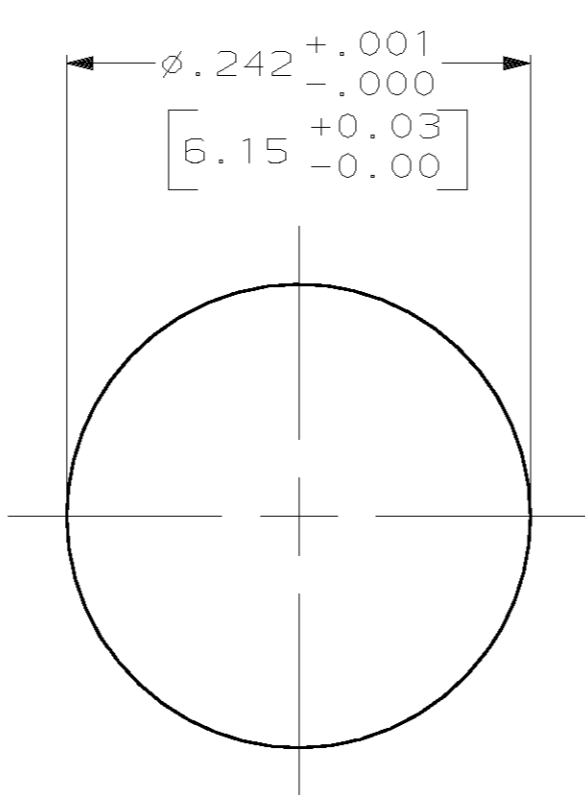
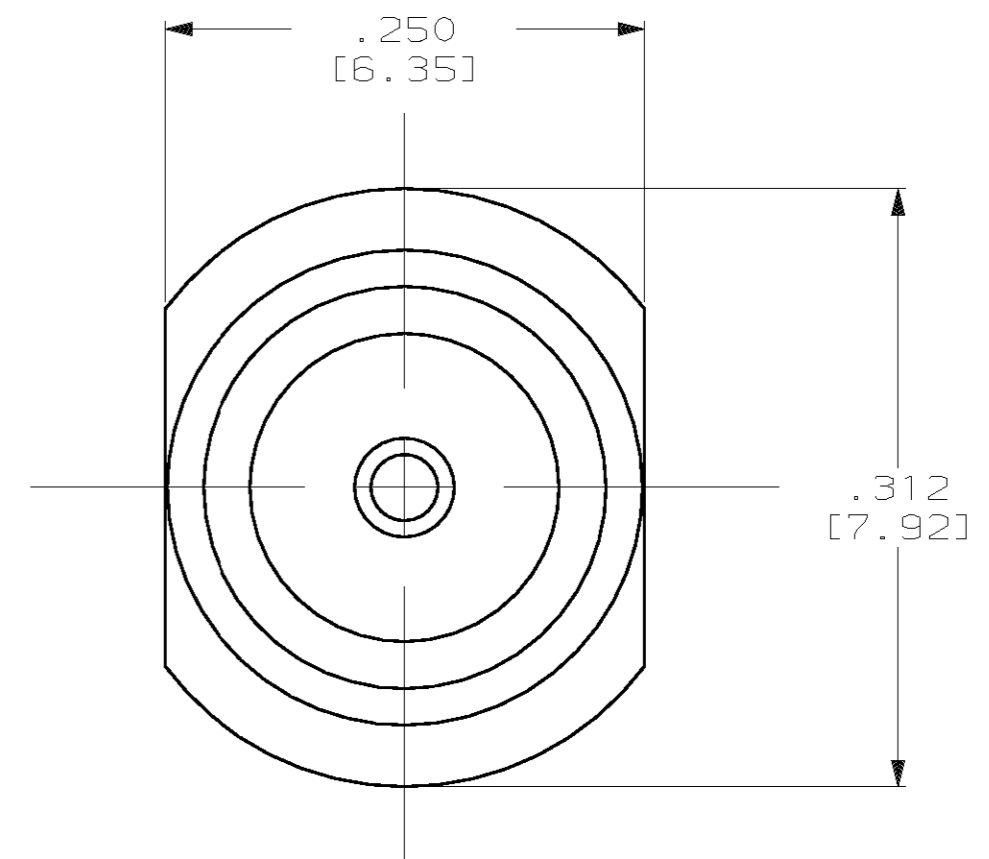
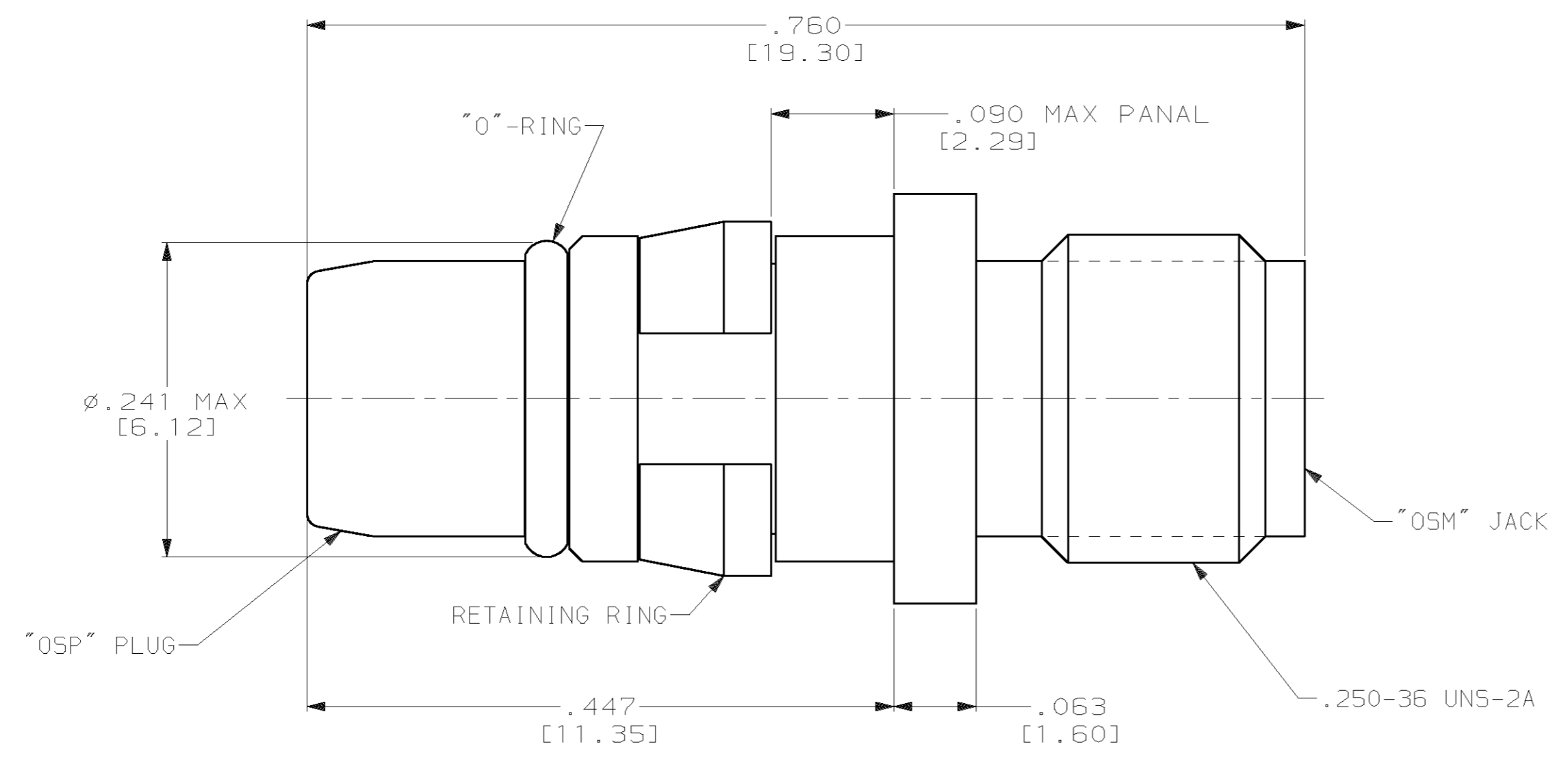


THIS DRAWING IS UNPUBLISHED. RELEASED FOR PUBLICATION .19
 © COPYRIGHT 19 BY AMP INCORPORATED. ALL RIGHTS RESERVED.

LOC	DIST	REVISIONS			
P	LTR	DESCRIPTION	DATE	DWN	APVD
DF	XO	0	RELEASED	2-01	CT RG

COMPONENT	MATERIAL	FINISH
HOUSING	STAINLESS STEEL PER ASTM-A-484 AND ASTM-A-582 TYPE 303	PASSIVATED PER QQ-P-35
DIELECTRIC	PTFE FLUORCARBON PER ASTM-D-1457	-
CENTER CONTACT	BERYLLIUM COPPER PER ASTM-B-196 OR ASTM-B-197 ALLOY C17300, CONDITION H	GOLD PLATED PER ASTM-B-488, TYPE 3 CODE C, CLASS 1.25
"O"-RING	NITRILE (BUNA-N) PER MIL-P-25732	-



1. CENTER CONTACT IS CAPTURED.

1218777-1
PART NO.

THIS DRAWING IS A CONTROLLED DOCUMENT.		DWN C.C. THOMAS 2-12-01	AMP TYCO Electronics Corporation Harrisburg, PA 17105-3608	
DIMENSIONS: INCHES [mm]		CHK R. GROSS 2-12-01	NAME OSP PLUG TO OSM JACK, BULKHEAD FEED-THRU ADAPTER, RF	
TOLERANCES UNLESS OTHERWISE SPECIFIED:		APVD R. GROSS 2-12-01	SIZE A2	
0 PLC ±-		PRODUCT SPEC	CAGE CODE 00779	DRAWING NO 1218777
1 PLC ±-		APPLICATION SPEC	RESTRICTED TO	
2 PLC ±-			SCALE 10:1	SHEET 1 OF 1
3 PLC ±.005 [0.13]		WEIGHT -	REV 0	
4 PLC ±-				
ANGLES ±-				
MATERIAL SEE TABLE	FINISH SEE TABLE	CUSTOMER DRAWING REF 4585-2240-02		