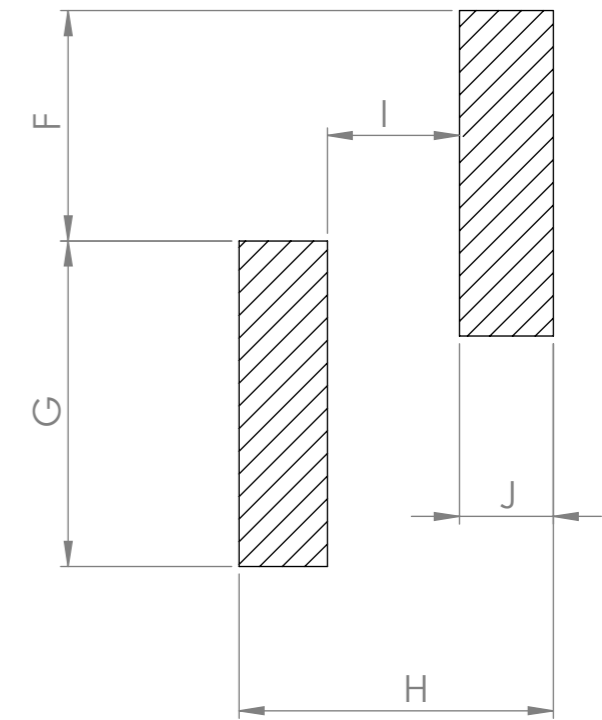
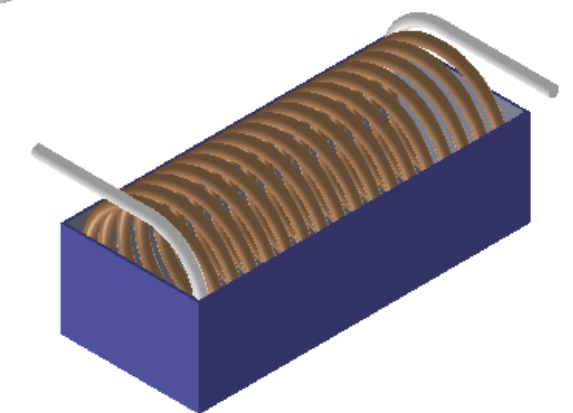


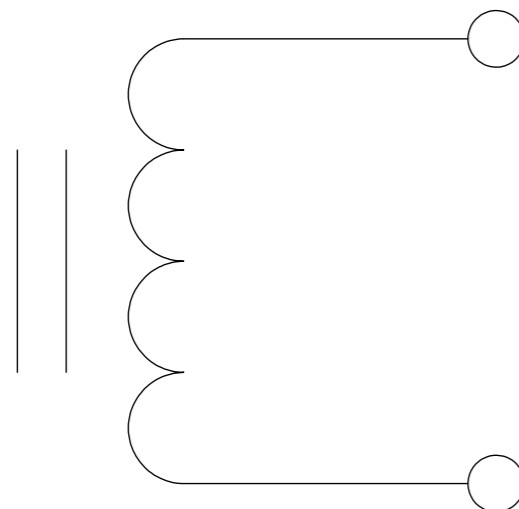
**Recommended Land Pattern**




F	2.8
G	3.3
H	7.4
I	4.9
J	1.3



**Schematic**



**TOP PACKAGE MARKING IS FOR ILLUSTRATION PURPOSES ONLY**

UNLESS OTHERWISE SPECIFIED: DIMENSIONS ARE IN INCH(MM) SURFACE FINISH: TOLERANCES: LINEAR: ANGULAR:				FINISH:		DEBUR AND BREAK SHARP EDGES		DO NOT SCALE DRAWING		REVISION -	
DRAWN SAAZVAT				SIGNATURE		DATE		 30332 Esperanza, Rancho Santa margarita, California 92688			
CHK'D XXXXXX								TITLE: Air Coil			
APPV'D								DWG NO. AIAC-2712C			
MFG								SCALE:20:1			
Q.A						MATERIAL:		SHEET 1 OF 1			
						WEIGHT:		A3			