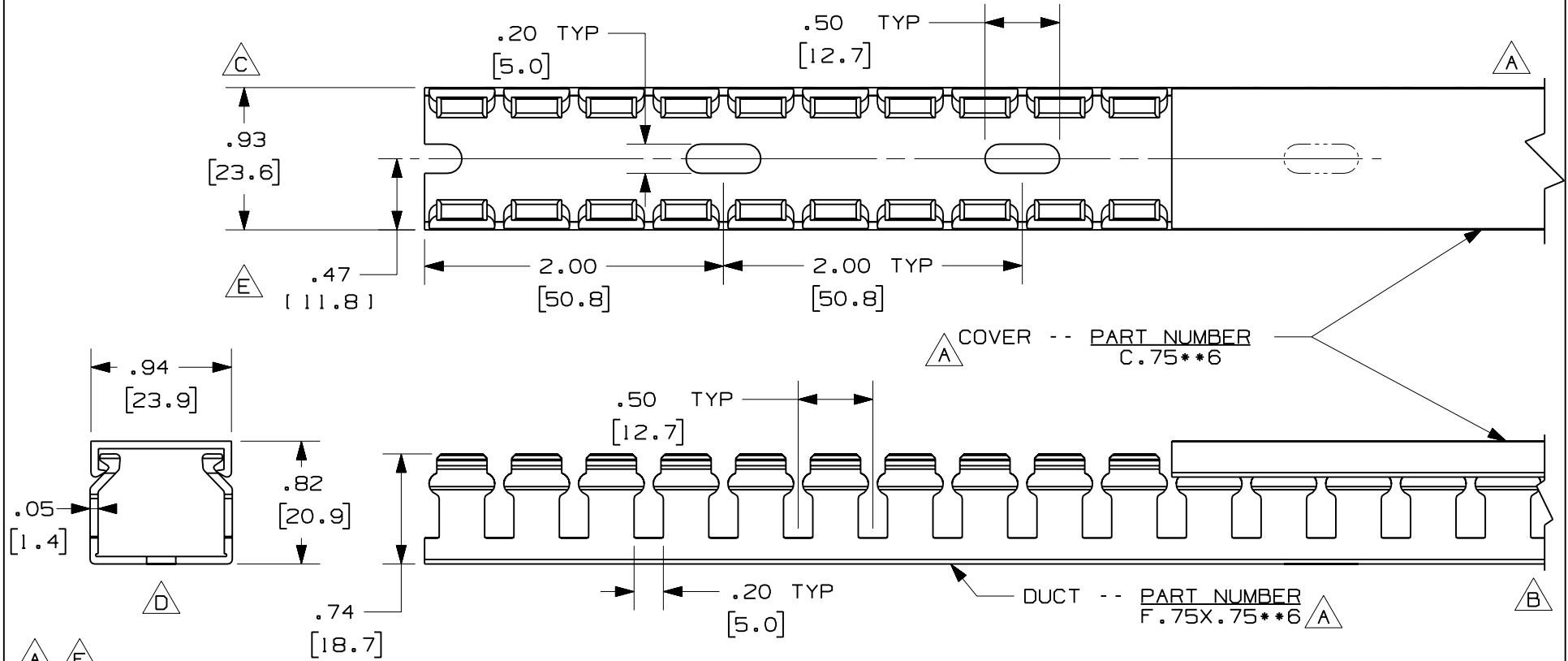


THIS COPY IS PROVIDED ON A RESTRICTED BASIS AND IS NOT TO BE USED IN ANY WAY DETRIMENTAL TO THE INTERESTS OF PANDUIT CORP.



**A** **F**

NOTE.

1. ALL DIMENSIONS ARE REFERENCE ONLY.
2. DIMENSIONS IN PARENTHESES ARE METRIC.
3. THE \*\* DENOTE COLOR.
4. DUCT AND COVER ARE AVAILABLE IN 6 FT [1828.8] LENGTH

CAD FILENAME/LAYERS D11000BV\_DC/OOC

**PANDUIT** CORP. TINLEY PARK, ILLINOIS  
 WIRING DUCT - TYPE F DUCT WITH COVER  
 .75 X .75  
 MARKETING DRAWING

REV	DATE	BY	CHK	DESCRIPTION
2	7/23/07	JCST	MKB	F. ADDED LENGTH NOTE E. CHANGED DIMENSION
1	5/27/04	JCST	MKB	D. REMOVED DIMENSION C. ADDED DIMENSION
R	5/21/03	JCST	JGG	B. CHANGED VIEW A. ADDED TOP VIEW, LABELS, AND NOTES.
				DRAWING RELEASED

DRAWN BY JCST	MAT'L:  PVC	SCALE FULL	
DATE 5/21/03		DRAWING NO. 36897 - 759	DWG SIZE A
CHK'D JGG			