

TECHNICAL CHARACTERISTICS

SPECIFICATION

Material:

- > **Housing:** PBT UL94V0, color Black
- > **Contact:** Phosphor Bronze 0,6 THK
Tin plated over Nickel

Current Rating:

> 3A (AC/DC)

Voltage Rating:

> 500V (AC/DC)

Contact Resistance:

> 12 mOHM

Insulation Resistance:

> 500 MOHM

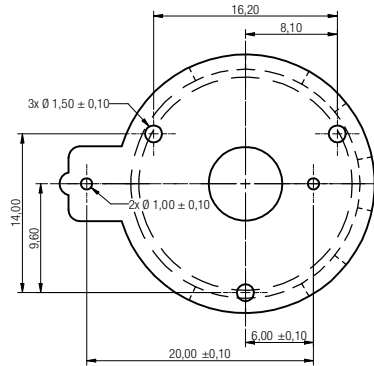
Temperature Range:

> -40°C ~ +105°C

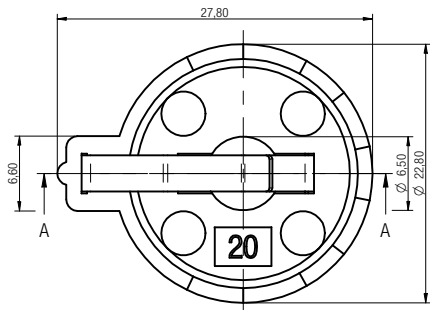
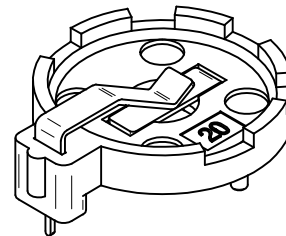
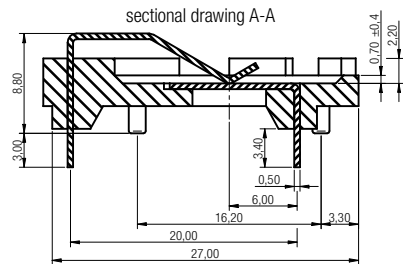
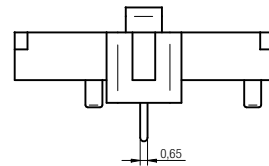
Humidity:

> 40°C and 90 ~ 95% RH for 96 hours

RoHS Compliant



PCB MOUNTING LAYOUT



Scale - 1,5:1

		Projection		GENERAL TOLERANCE .x = +/- 0,2 .xx = +/- 0,15		Basic material				
				Date 10-10-07		Name Jelisarow		DESCRIPTION BattHold		
				Checked				Battery Holder		
				Würth Elektronik eiCan		Scale 1,5:1		Position		SIZE
						Drawing.- No. 79528211				A4
REV	FILE	DATE	BY	EDV NO	79528211.dft			System Solid Edge V20		