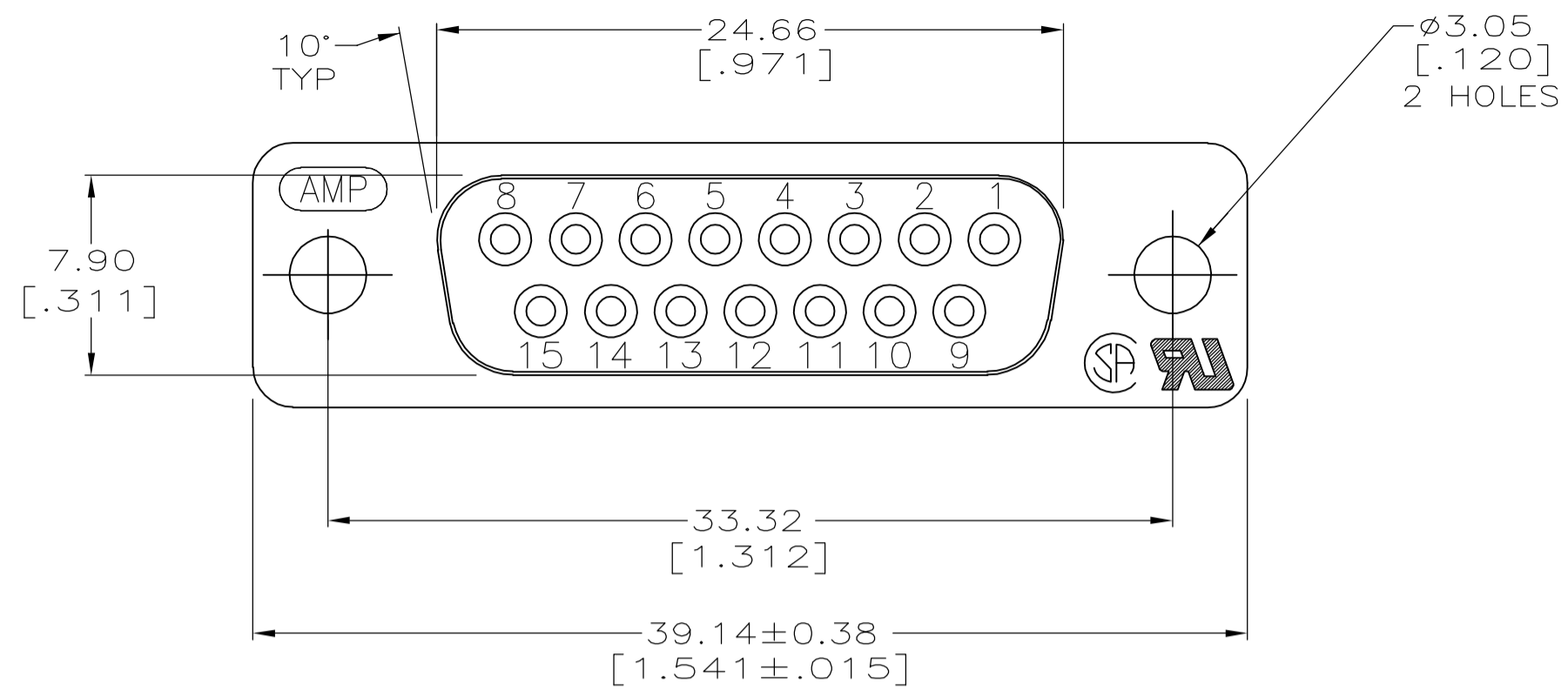
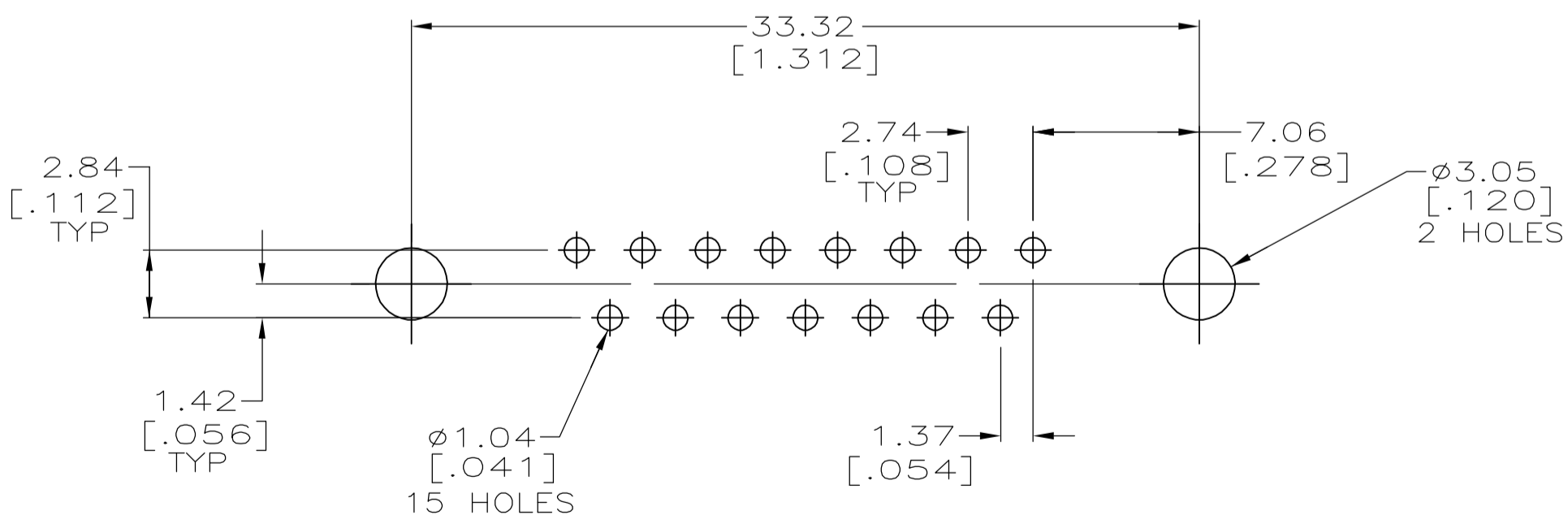
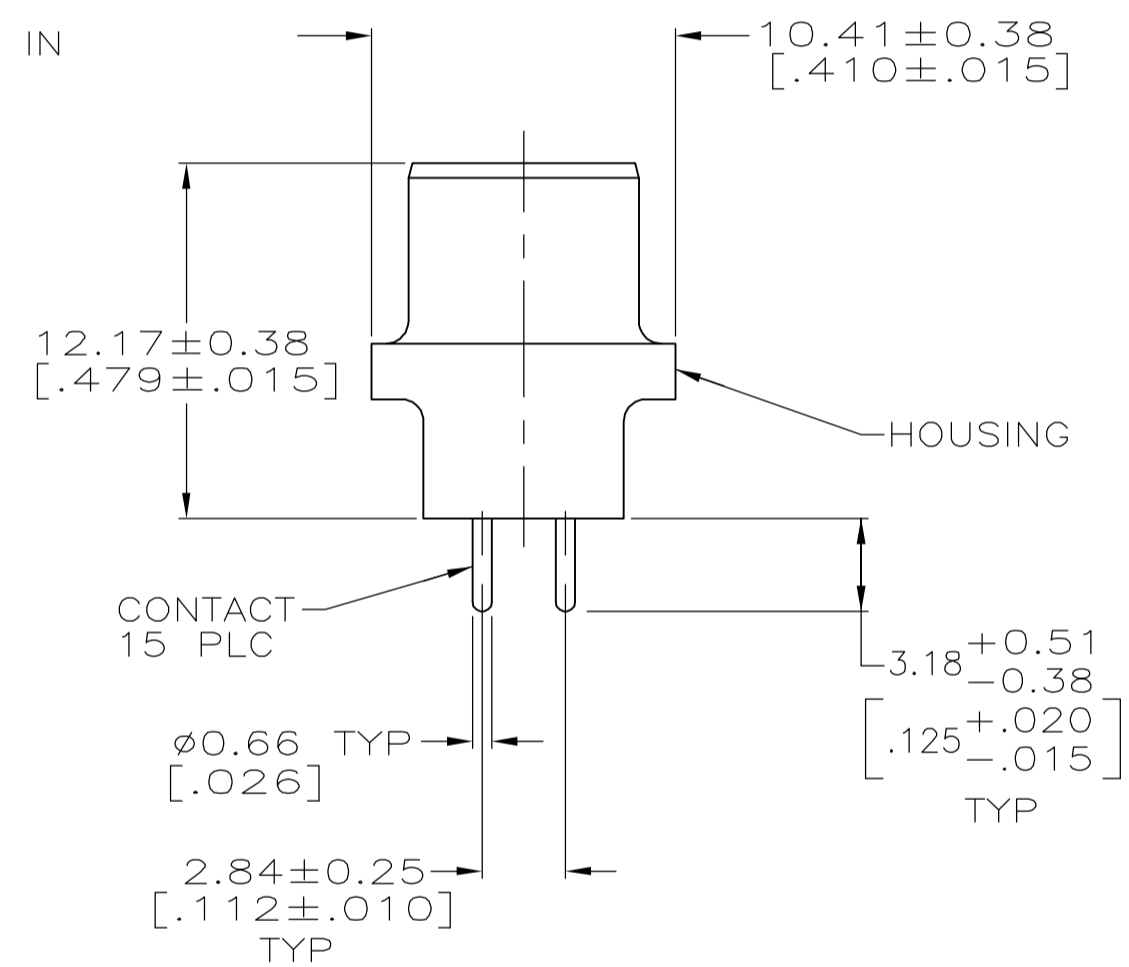
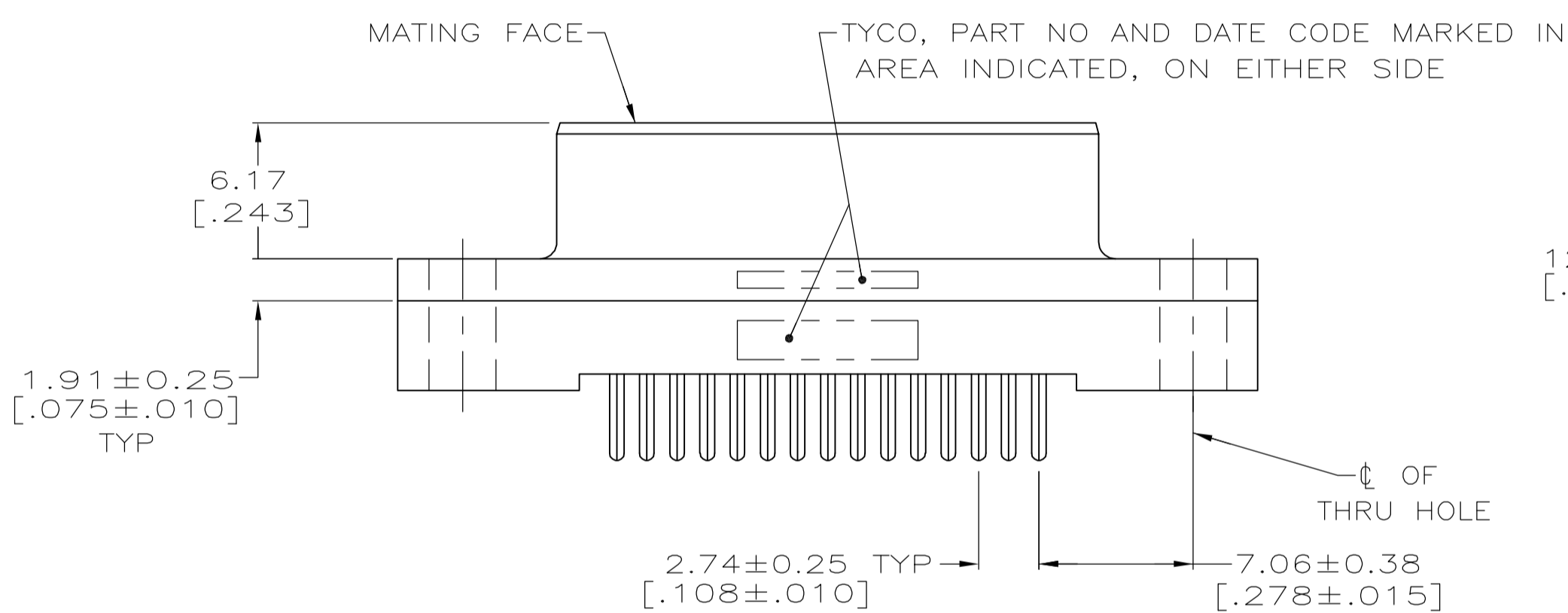


THIS DRAWING IS UNPUBLISHED. RELEASED FOR PUBLICATION
 © COPYRIGHT BY TYCO ELECTRONICS CORPORATION. ALL RIGHTS RESERVED.

LOC		DIST		REVISIONS			
P	LTR	DESCRIPTION	DATE	DWN	APVD		
GP	00						
	0	RELEASED PER EC 0513-0087-05	08SEP05	GP	JG		



- 1 HOUSING: BLACK POLYESTER, UL 94V-0 RATED. CONTACTS: PHOSPHOR BRONZE.
- 2 GOLD FLASH FOR A LENGTH OF 2.54[.100] MIN FROM MATING END, 2.54 μ m[.000100] MIN TIN FOR A LENGTH OF 3.18[.125] FROM OPPOSITE END, ALL OVER 1.27 μ m[.000050] MIN NICKEL.
- 3 0.76 μ m[.000030] MIN GOLD FOR A LENGTH OF 2.54[.100] MIN FROM MATING END, 2.54 μ m[.000100] MIN TIN FOR A LENGTH OF 3.18[.125] FROM OPPOSITE END, ALL OVER 1.27 μ m[.000050] MIN NICKEL.



RECOMMENDED PC BOARD MOUNTING DIMENSIONS

COPYRIGHT 2005 TYCO ELECTRONICS CORP ALL RIGHTS RESERVED

3	5207827-4
2	5207827-3
CONTACT FINISH	PART NO

THIS DRAWING IS A CONTROLLED DOCUMENT.		DWN G.PETERS 08SEP05	tyco Tyco Electronics Corporation Harrisburg, PA 17105-3608	
DIMENSIONS: INCHES		CHK S.BOLASH 08SEP05		
TOLERANCES UNLESS OTHERWISE SPECIFIED:		APVD M.WALMSLEY 08SEP05	NAME	
0 PLC \pm -		PRODUCT SPEC	RECEPTACLE ASSEMBLY, SIZE 2, 15 POSN, VERTICAL, AMPLIMITE HD-20	
1 PLC \pm -		APPLICATION SPEC	SIZE CAGE CODE DRAWING NO RESTRICTED TO	
2 PLC \pm 0.13 [.005]		108-40025	A2 00779 C=5207827	
3 PLC \pm -			SCALE SHEET REV	
4 PLC \pm -			4:1 1 of 1 0	
ANGLES \pm 2°				
MATERIAL		FINISH		
CONTACTS: SEE TABLE				
1				