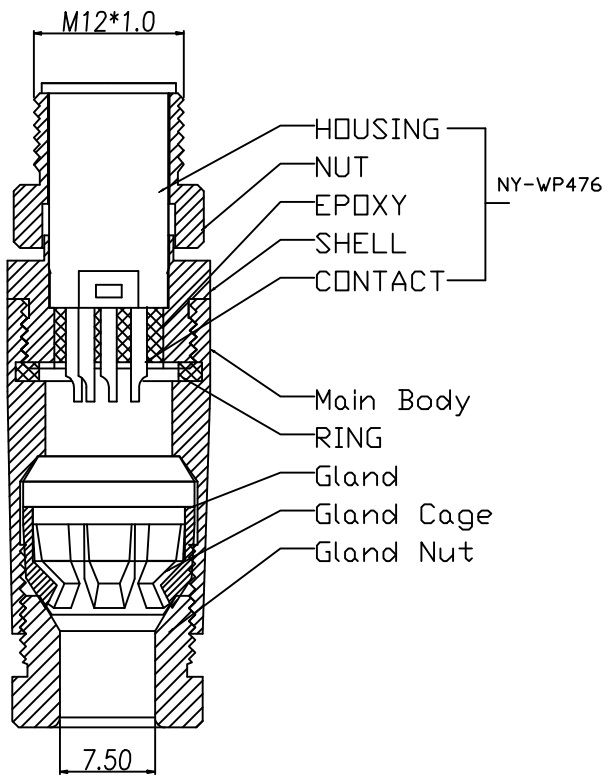
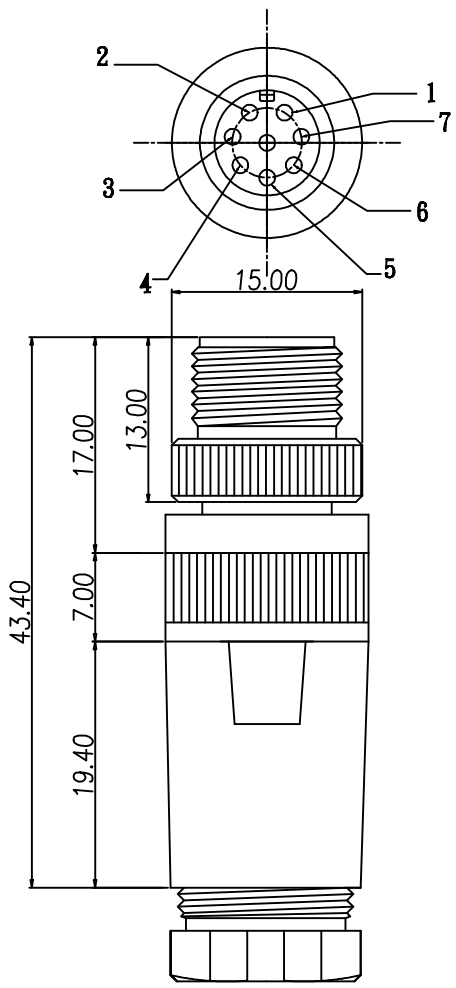


DESCRIPTION: M12 MALE - CABLE MOUNT 8 POSITION



NOTE:  
 MATERIAL  
 HOUSING: PBT UL94V-0, BLACK  
 CONTACT: BRASS  
 NUT: ALUMINUM ALLOY  
 SHELL: ALUMINUM ALLOY  
 MAIN BODY: ALUMINUM ALLOY  
 GLAND: SILICONE, BLACK  
 GLAND CAGE: POM, BLACK  
 GLAND NUT: ALUMINUM ALLOY

FINISH  
 CONTACT: GOLD PLATED  
 OVER 50µ" NICKEL  
 NUT: NICKEL PLATED  
 SHELL: NICKEL PLATED  
 MAIN BODY: NICKEL PLATED  
 GLAND NUT: NICKEL PLATED

ELECTRICAL  
 RATED CURRENT: 5A  
 RATED VOLTAGE: 125V  
 INSULATION RESISTANCE: 100 MΩhms MIN.  
 CONTACT RESISTANCE: 10 MΩhms MAX.  
 WATER PROOF: IP67  
 ENVIRONMENT  
 OPERATION TEMPERATURE: -40°C TO +85°C  
 WIRE GAUGE: 24-28 AWG

**858-008-103RKTY**

1 = GOLD FLASH  
 4 = 10µ" GOLD

DO NOT SCALE FROM DRAWING



THESE DRAWINGS AND SPECIFICATIONS ARE THE PROPERTY OF NorComp AND SHALL NOT BE REPRODUCED, COPIED OR USED AS THE BASIS FOR THE MANUFACTURE OF SALE OF APPARATUS WITHOUT WRITTEN PERMISSION.

DRAWN: <b>M. SIGMON</b>		DATE: <b>03-07-16</b>	
CHECKED:		DATE:	
SCALE: N.T.S.	SHEET 1	OF 1	REV 1
DWG NO. <b>858-008-103RKTY</b>			

**RoHS COMPLIANT**

**NorComp**