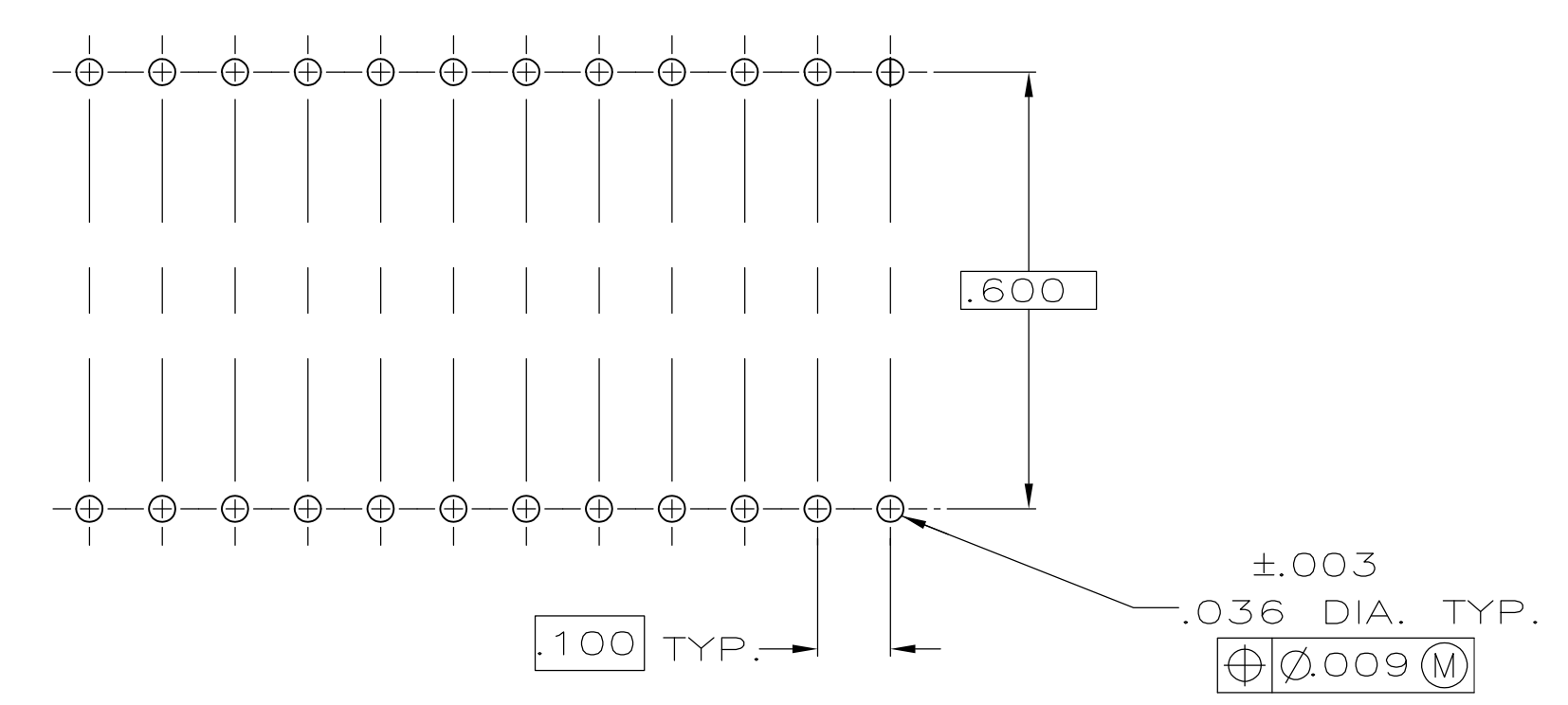
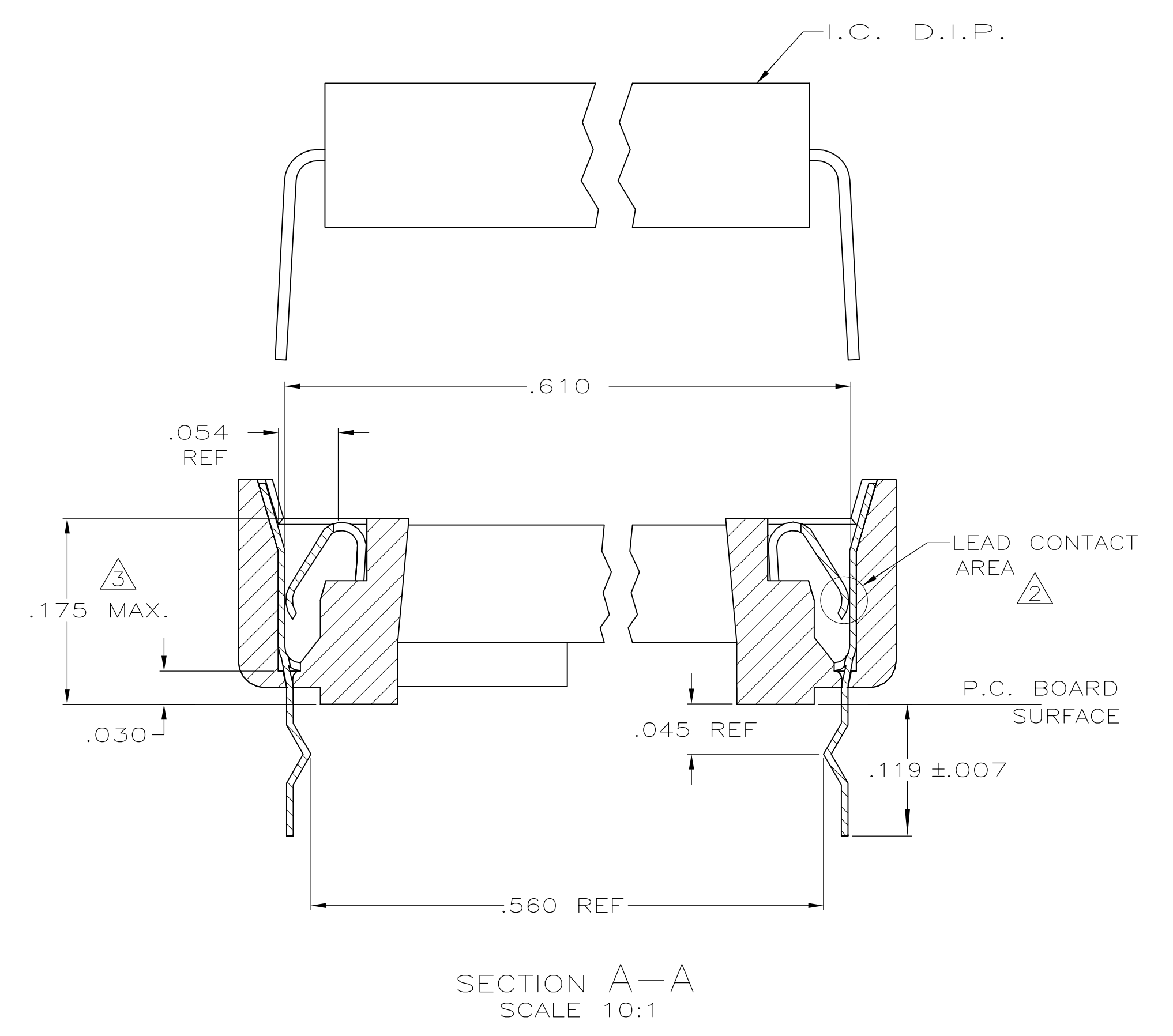


1. RECEPTACLE ACCEPTS A .008-.014 THICK I.C. LEAD.
2. TWO .000030 MIN THK. GOLD STRIPES IN CONTACT AREA WITH TIN-LEAD (93/7) ON CONTACT LEGS, BALANCE OF CONTACT NICKEL PLATED.
3. MAXIMUM DIMENSION FOR I.C. SEATING PLANE.



RECOMMENDED MOUNTING HOLE PATTERN
SCALE 4:1

OBSOLETE	△	BE.CU. .006 THK	GLASS-FILLED THERMOPLASTIC, 94V-0, BLACK	641855-2
		TINNED	GLASS-FILLED THERMOPLASTIC, 94V-0, BLACK	641855-1
		CONTACT FINISH	CONTACT MAT'L	HOUSING MATERIAL
				PART NO.

THIS DRAWING IS A CONTROLLED DOCUMENT.		DIN	6-11-87	tyco Electronics	Tyco Electronics Corporation Harrisburg, PA 17105-3608	
DIMENSIONS: INCHES		M. CYRUS	6-18-87		NAME	
TOLERANCES UNLESS OTHERWISE SPECIFIED:		CHK	R. MILLER	PRODUCT SPEC		
0. PLC	± -	APVD		108-1066		
1. PLC	± -	NAME		APPLICATION SPEC		
2. PLC	± -	SIZE		114-1049		
3. PLC	± .005	CAGE CODE		DRAWING NO		
4. PLC	± -	WEIGHT		A1 00779 C=641855		
ANGLES	± -	CUSTOMER DRAWING		SCALE 5:1 SHEET 1 OF 1 REV H		