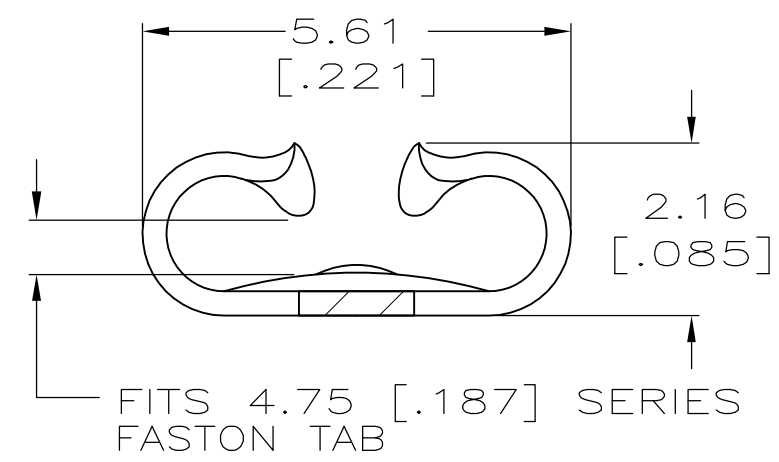
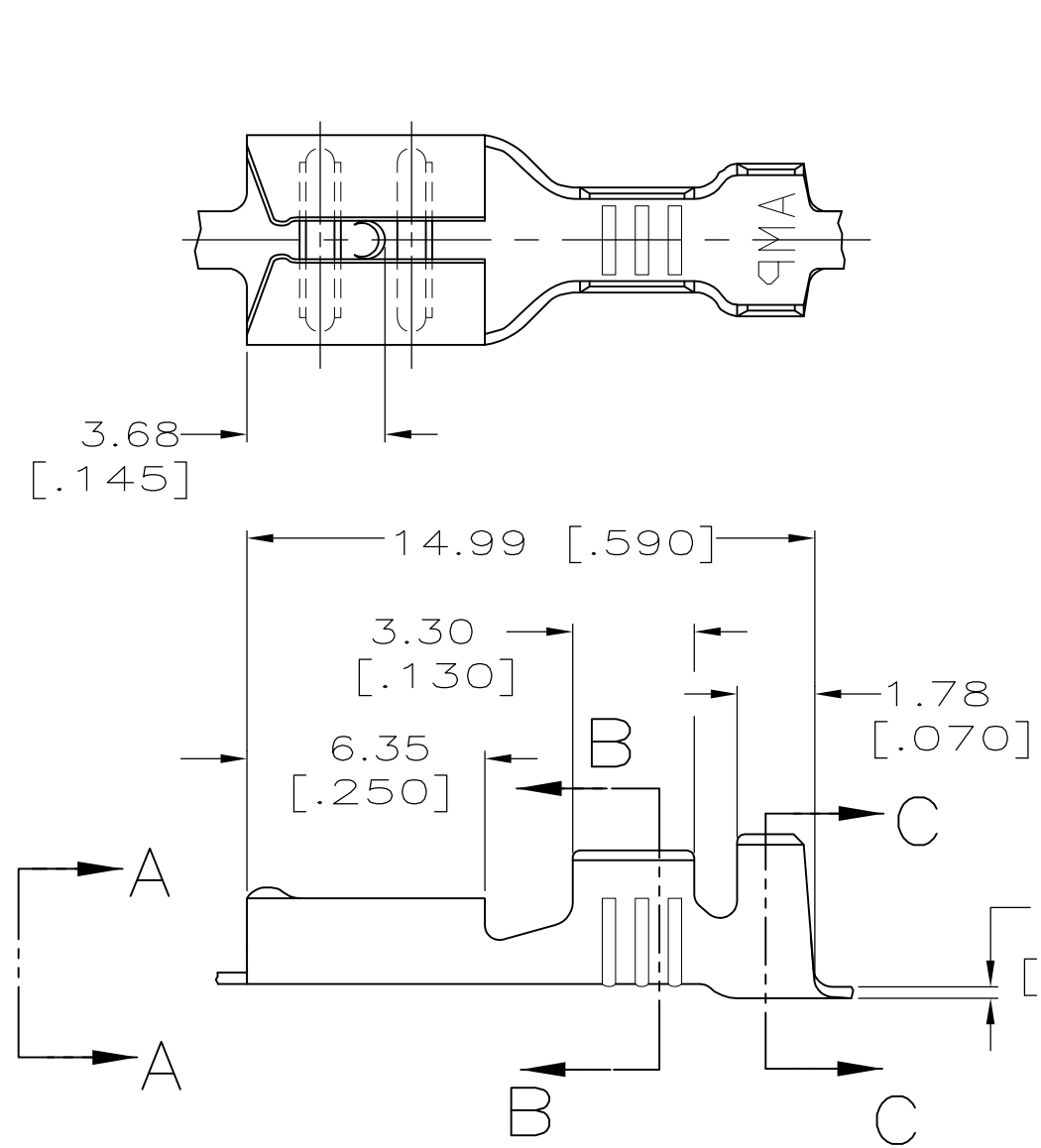


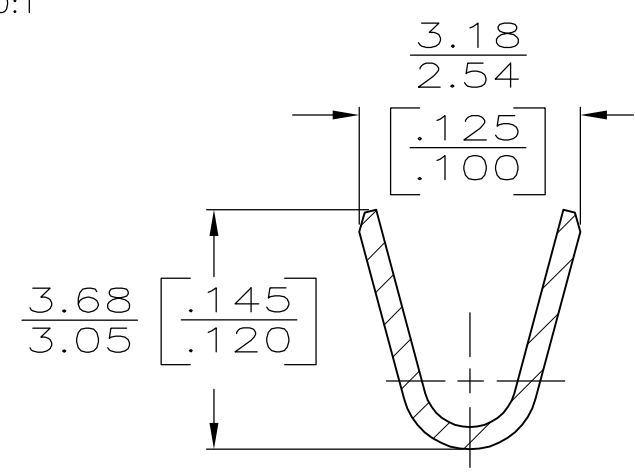
THIS DRAWING IS UNPUBLISHED. RELEASED FOR PUBLICATION
 © COPYRIGHT - By - ALL RIGHTS RESERVED.

| LOC | DIST | REVISIONS | | | |
|-----|------|-------------|---------------------------|---------|-------|
| P | LTR | DESCRIPTION | DATE | DWN | APVD |
| AF | 50 | P | REVISED PER ECR-12-013445 | 18OCT12 | KH PD |

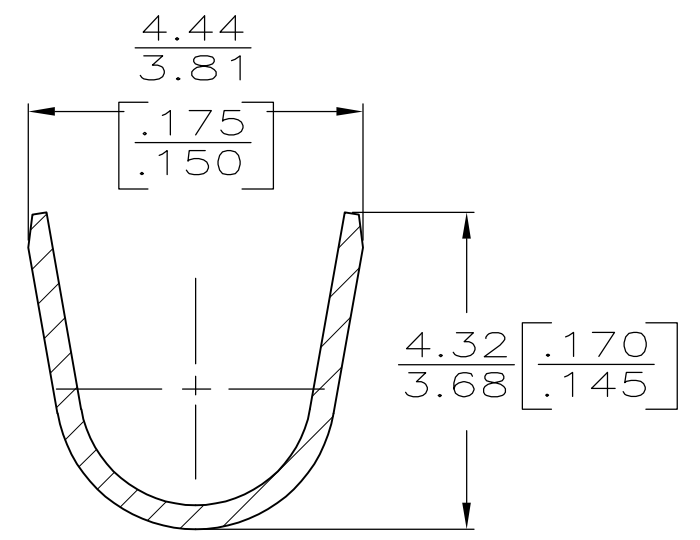
1 CONTINUOUS STRIP ON REELS



VIEW A-A
SCALE 10:1



SECTION B-B
SCALE 10:1



SECTION C-C
SCALE 10:1

| | | | | |
|--------|--------------------------|---------------------------------------|------------------------------|----------|
| TIN | 2.29-3.30 [.090-.130] | 0.5-1.3mm ² [20-16] AWG | 0.51 [.020] | 42801-2 |
| - | | | | 42801-1 |
| FINISH | INSULATION RANGE | WIRE SIZE | MATING TAB THK ±0.025 [.001] | PART NO. |

| | | | | | | | |
|--|--|-----------------------------|--|--------------|--------------------|-----------------------|---------------|
| THIS DRAWING IS A CONTROLLED DOCUMENT. | | DWN JR RUTH 1/24/91 | TE Connectivity RECEPTACLE, FASTON,™ 4.75 [.187] SERIES | | | | |
| DIMENSIONS: INCHES | | CHK P FORTNEY 1/25/91 | | | | NAME | |
| | | APVD C MEYERS 1/25/91 | | | | PRODUCT SPEC | |
| TOLERANCES UNLESS OTHERWISE SPECIFIED: | | APPLICATION SPEC | | | | | |
| MATERIAL BRASS | | FINISH SEE TABLE | | SIZE A3 | CAGE CODE 00779 | DRAWING NO C-42801 | RESTRICTED TO |
| CUSTOMER DRAWING | | | | SCALE 5:1 | SHEET 1 OF 1 | REV P | |