

4

3

2

1

THIS DRAWING IS UNPUBLISHED.

RELEASED FOR PUBLICATION

,19

LDC

DIST

REVISIONS

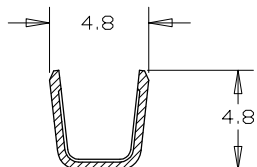
© COPYRIGHT 19

BY AMP INCORPORATED. ALL RIGHTS RESERVED.

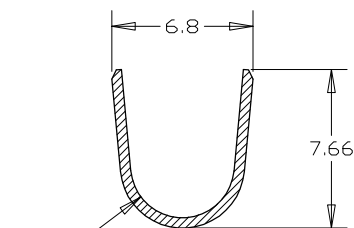
ES

00

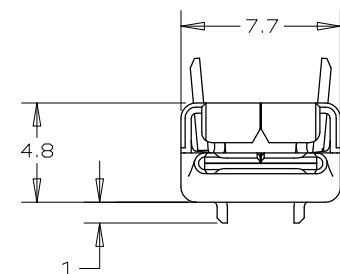
P	LTR	DESCRIPTION	DATE	DWN	APVD
	B	RELEASED FB00-00291-04	13DEC04	C.W	I.E



SECTION A-A

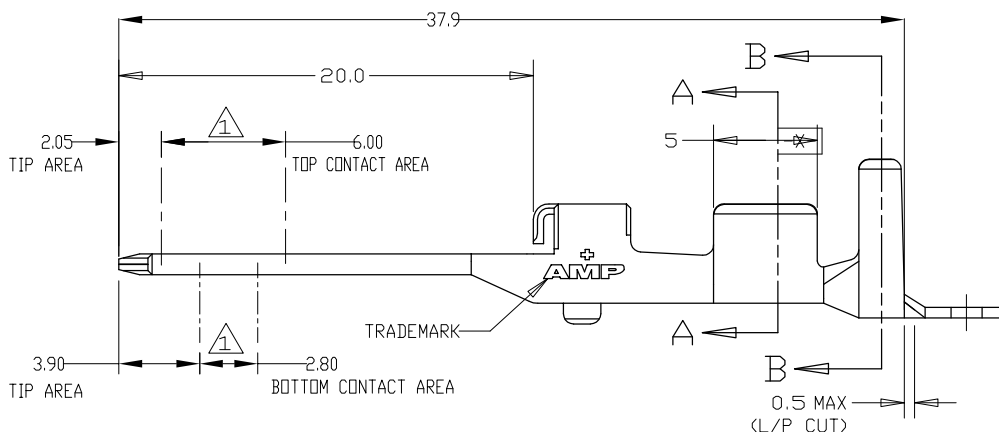
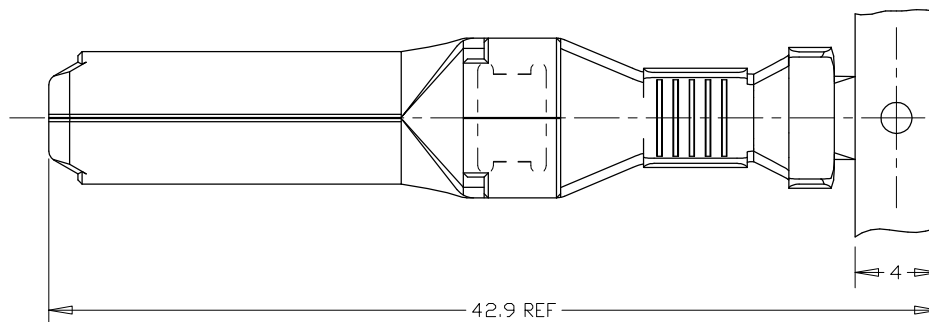
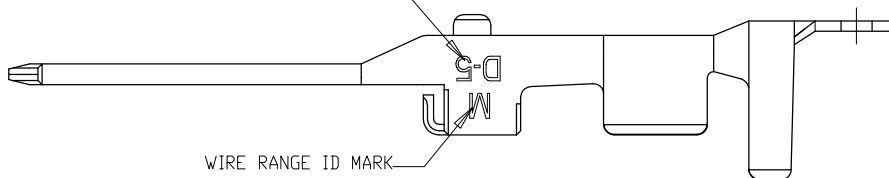


SECTION B-B



CONTACT ID MARK

WIRE RANGE ID MARK



$\Delta$	84695-1
FINISH	PART NO.

WIRE RANGE	INSULATION DIA
3.08/5.5mm <sup>2</sup> AWG #12/#10	4/5.2mm $\phi$

NOTES:

$\Delta$  FINISH : 0.2 $\mu$ m MIN GOLD (CONTACT AREA) PLATING OVER Ni UNDER PLATING ALL OVER  
EXCEPT INSIDE OF CONTACT BOX  
GOLD PLATING THK DID NOT CONTROL AT CONTACT TIP AREA

2. TOLERANCES UNLESS OTHERWISE SPECIFIED

- \* <10 :  $\pm 0.3$
- 10 < \* <30 :  $\pm 0.35$
- 30 < \* <100 :  $\pm 0.4$
- ANGLE:  $\pm 3^\circ$

THIS DRAWING IS A CONTROLLED DOCUMENT FOR AMP INCORPORATED. IT IS SUBJECT TO CHANGE AND THE CONTROLLING ENGINEERING ORGANIZATION SHOULD BE CONTACTED FOR THE LATEST REVISION.		DWN	3JAN'00	 AMP MANUFACTURING (SINGAPORE) PTE. LTD.
DIMENSIONS:		CHK	3JAN'00	
mm		L/P TAN	31MAY'01	
		APVD	NAME	
TOLERANCES UNLESS OTHERWISE SPECIFIED		WL CHOO	PRODUCT SPEC	TAB CONTACT "M" SIZE <DYNAMIC D-5000 SERIES>
0 PLC $\pm$ 1 PLC $\pm 0.30$ 2 PLC $\pm 0.35$ 3 PLC $\pm 0.40$ 4 PLC $\pm$ ANGLES $\pm 3^\circ$		108-51030	APPLICATION SPEC	
MATERIAL		114-51009	WEIGHT	SIZE
COPPER ALLOY		FINISH	2.08g	CAGE CODE
SEE TABLE		CUSTOMER DRAWING	A3	00779
				DRAWING NO
				©=84695
				SCALE 4:1 SHEET 1 OF 1 REV B