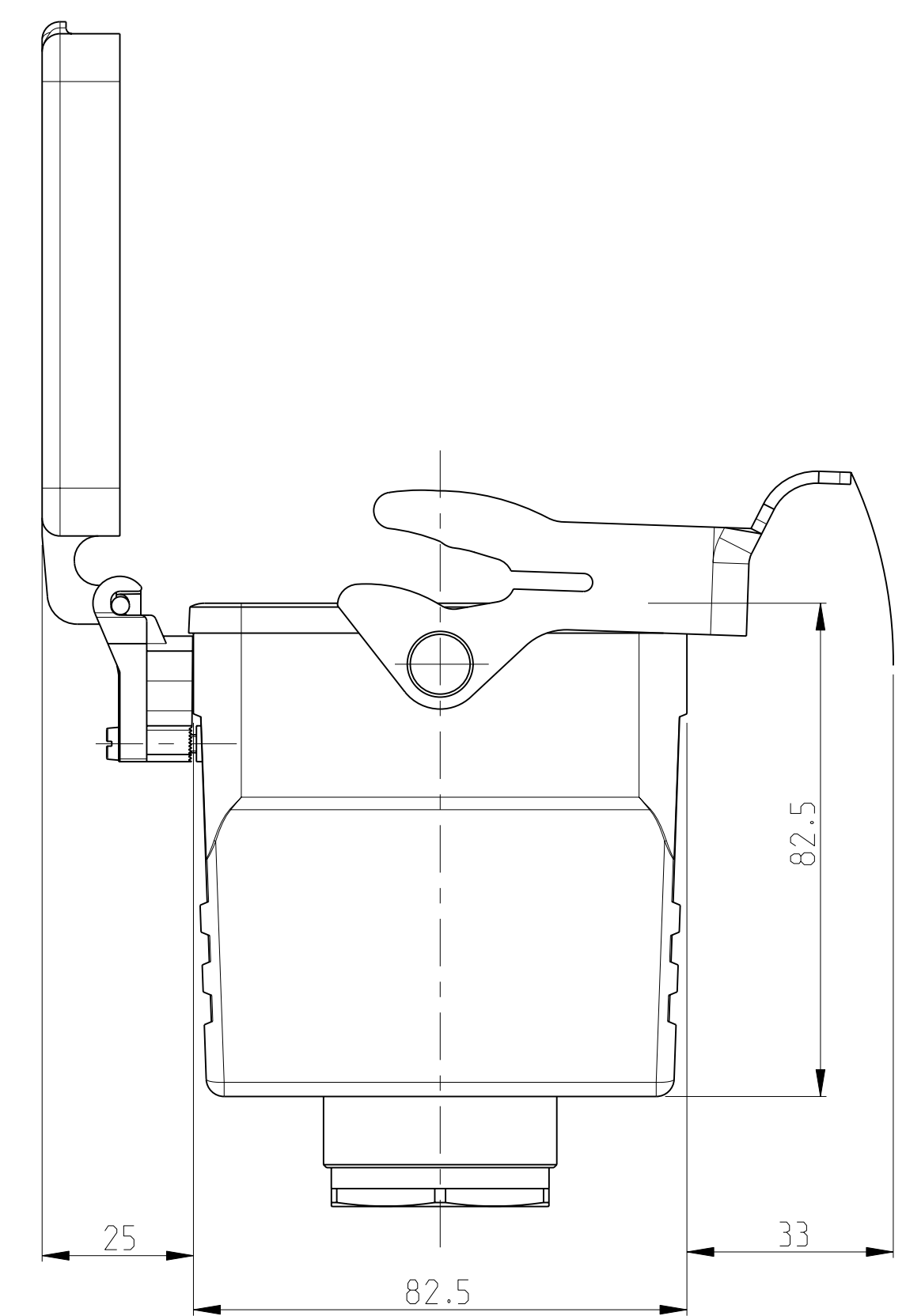
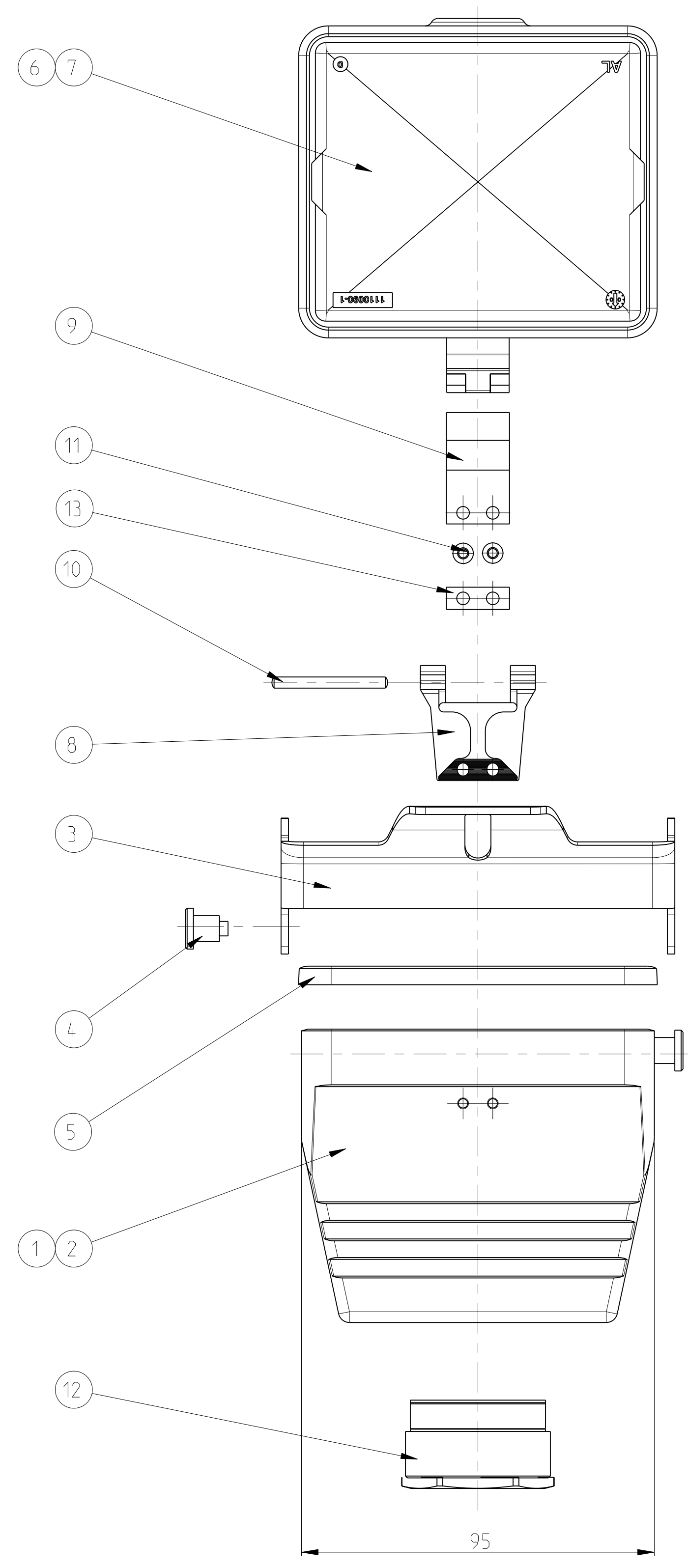


LOC	DIST	REVISIONS			
REV	DATE	DESCRIPTION	DATE	DWN	APVD
A3	11MAR2009	new pro/E drawing ECR-09-007725	11MAR2009	SR	AR



- NOTES
- PART SHALL BE FREE AND CLEAN OF BURRS AND OTHER FOREIGN MATERIAL
  - PACKAGING: QUANTITY 3 PIECES
  - VARNISHING INSIDE HOUSING NOT REQUIRED

QTY	DESCRIPTION	MATERIAL	SURFACE	COLORE	ITEM	NOTES
1	1	LEAF SPRING	STEEL	NICKEL PLATED	BLUE	13
1	1	CABLE FITTING ROUND	BRASS	NICKEL PLATED	BLUE	12
2	2	CYLINDER SCREW	STAIN. STEEL	BLANC		11
1	1	GROVED PIN	STEEL	ZINC PLATED	BLUE	10
1	1	LEAF SPRING	STEEL	ZINC PLATED	BLUE	9
1	1	HINGE	ALUMINIUM		GRAU	8
1	1	COVER	ALUMINIUM		GRAU	7
1	1	COVER	ALUMINIUM		GRAU	6
1	1	PROFIL SEAL	NEOPRENE		BLACK	5
2	2	CLIP POSITIONER	STEEL	ZINC PLATED	BLUE	4
1	1	SIDE CLIP	STEEL	ZINC PLATED	BLUE	3
1	1	CABLE-TO-CABLE HOOD	ALUMINIUM		GRAU	2
1	1	CABLE-TO-CABLE HOOD	ALUMINIUM		GRAU	1
0-1	1-2	DESCRIPTION	MATERIAL	SURFACE	COLORE	ITEM NOTES
		HB.32.KDOD-LB.1.29				

DIMENSIONS: mm 		TOLERANCES UNLESS OTHERWISE SPECIFIED: 9 PLC ± 1 PLC ± 2 PLC ± 3 PLC ± 4 PLC ± ANGLES ±1° FINISH -		DWN R.SCHNEIDER 11MAR2009 CHK T.SCHNURPEIL 11MAR2009 APVD -		Tyco Electronics Tyco Electronics AMP GmbH 53757 Sankt Augustin (Germany)	
MATERIAL -		FINISH -		PRODUCT SPEC - APPLICATION SPEC -		NAME CABLE-TO-CABLE HOOD HB.32.KDOD-LB.1.29	
CUSTOMER DRAWING		WEIGHT -		SIZE A   00779   C=1102365		RESTRICTED TO -	
SCALE 1:1		SHEET 1 OF 1		REV A3		DATE 11MAR2009	