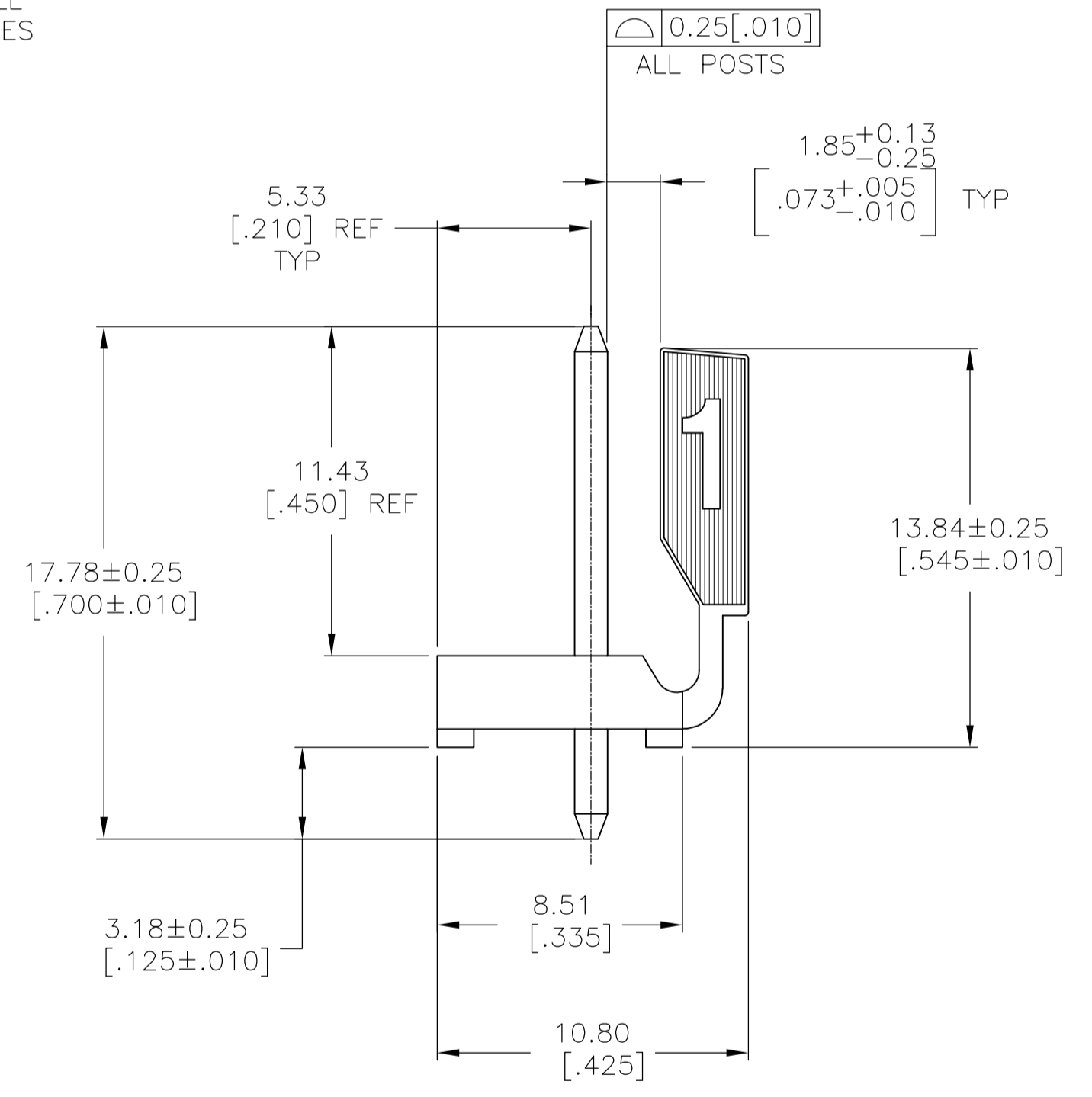


RECOMMENDED MOUNTING HOLE PATTERN FOR 1.57[.062] THICK P.C.BOARD



- 1 MATERIAL
HOUSING: THERMOPLASTIC POLYESTER, GLASS FILLED, DR-48.UL94V-O.
POST: COPPER ALLOY
- 2 FINISH
HOUSING: BLACK
POST: BRIGHT TIN-LEAD (93/7) PLATE, 0.00380-0.00880 [.000150-.000350] THK OVER NICKEL UNDERPLATE, 0.00130 [.000050] MIN THK.
OR MATTE TIN PLATE 0.00380(.000150)-.00880(.000350) OVER NICKLE UNDERPLATE 0.00130 (.000050) MIN THICK IF LEAD FREE.
- 3 UL MARKING MAY NOT APPEAR ON THE 3 POSITION SIZE.
- 4 POST SOLDERTAILS COMPLY WITH AMP SOLDERABILITY SPEC 109-11-2.
- 5 POST WITHSTANDS 13.34N [3 LB] MIN AXIAL FORCE IN EITHER DIRECTION WITHOUT DISLODGING.
- 6 APPLIES AT -A-
- 7 APPLIES WHEN THE HEADER IS STRAIGHT.
- 8 PLASTIC PROJECTIONS PERMITTED IN THIS ZONE.
- 9 COORDINATE DIMENSIONS APPLIES FROM THE CENTER OF THE ACTUAL FEATURE.
- 10 SOLDER SIDE OF BOARD IS SHOWN.
- 11. DIMENSIONS IN BRACKETS ARE IN INCHES.
- 12 ALL POSITION SIZES HAVE THE BACKWALL NOTCHED ON BOTH ENDS AS SHOWN. THE 2 THRU 5 POSITION SIZES HAVE SOLID BACKWALLS. POSITION SIZES 6 AND ABOVE HAVE AN INTERRUPTED BACKWALL AT VARIOUS LOCATIONS (SEE TABLE FOR INTERRUPTION(S) LOCATIONS).
- 13 EDGE OF POLARIZING LOCK WALL TO BE IN LINE WITH CENTERLINE OF ADJACENT POST WITHIN ± 0.13 [.005].
- 14 NOTCH SHOWN MAY OR MAY NOT APPEAR.
- 15 OBSOLETE PART NUMBER

NOTES	FINISH	BACK WALL INTERRUPTION(S) BETWEEN POST	L	NO OF POSITIONS	PART NO
	TIN	4 & 5	27.61[1.087]	7	3-647183-7
15	TIN-LEAD	4 & 5	27.61[1.087]	7	647183-7

THIS DRAWING IS A CONTROLLED DOCUMENT.

DIMENSIONS: mm [INCHES]	TOLERANCES UNLESS OTHERWISE SPECIFIED:	DIN B. LEWIS 21APR98	Tyco Electronics Corporation Harrisburg, Pa 17105-3608
0 PLC ± -	1 PLC ± -	CIK R. SWING 21APR98	
2 PLC ± ± 0.13[.005]	3 PLC ± -	APVD G. JONES 21APR98	NAME MTA-156 HEADER ASSEMBLY, POLARIZED LOCK, STRAIGHT, .045 SQUARE POST TIN OR TIN-LEAD PLATED, WITHOUT RETENTION PEGS, NO 4 POST OMITTED, SPECIAL APPLICATION SPEC
4 PLC ± -	ANGLES ± ± 1°		
MATERIAL 1	FINISH 2	SIZE A1	SCALE 5:1
		WEIGHT -	SHEET 1 OF 1
		CUSTOMER DRAWING	REV E1

