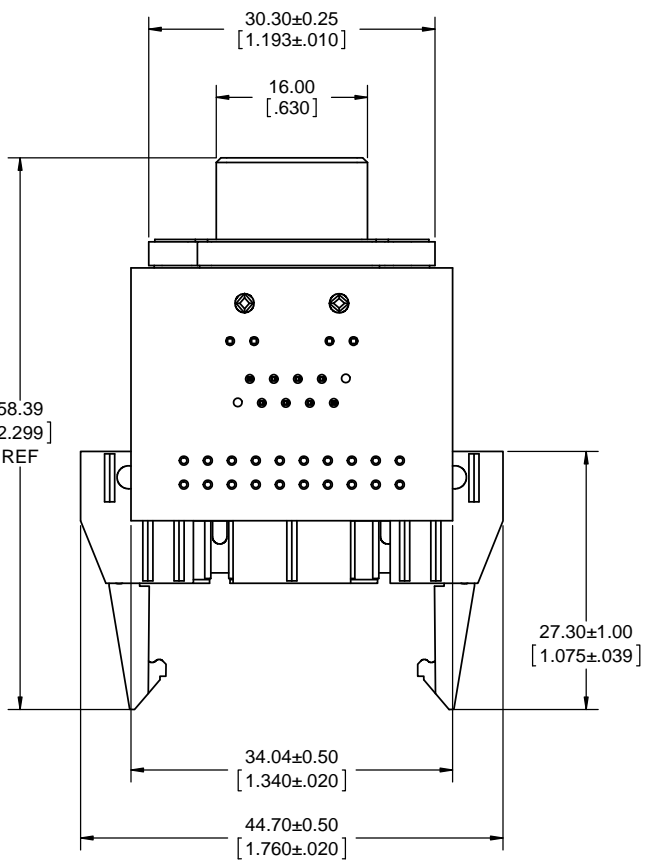
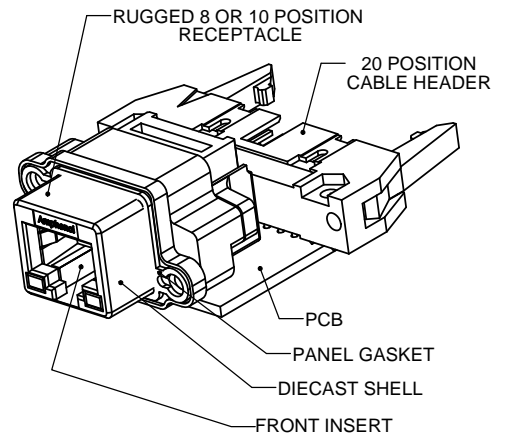
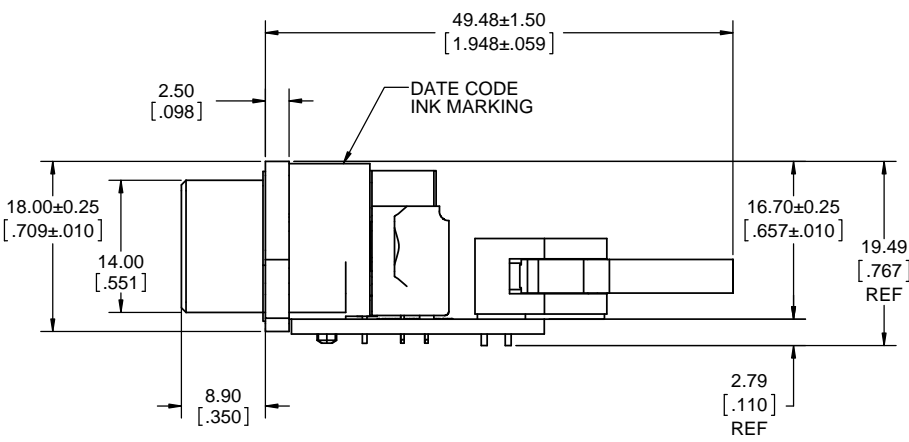
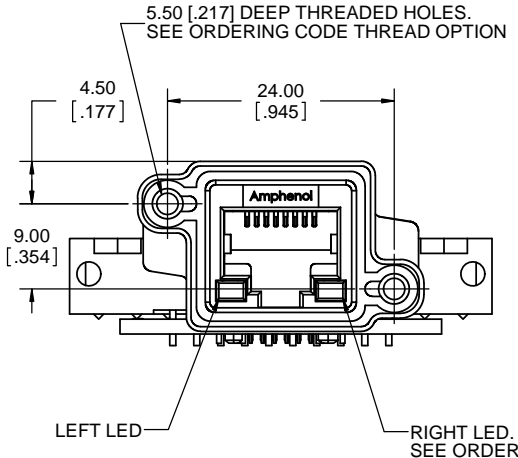


REVISIONS			
REV	DESCRIPTION, ECN, EAR NO.	DATE	APP'D
A	PRODUCT DRAWING (EAR 13977)	JAN31/13	KL



**ORDERING CODE: MRJR-55XX-X1**

- SERIES, RUGGED RJ
- RECEPTACLE, RIGHT ANGLE, ON PCB WITH RIGHT ANGLE CABLE HEADER
- NUMBER OF CONTACTS:  
8 = 8  
A = 10
- LED OPTION:  
0 = NONE  
1 = LEFT GREEN, RIGHT YELLOW  
4 = LEFT YELLOW, RIGHT GREEN  
5 = LEFT GREEN, RIGHT GREEN
- MOUNTING HOLE THREAD OPTION:  
0 = #4-40 UNC THREAD  
M = M3 X 0.5 THREAD
- SINGLE PORT

**SPECIAL CONNECTORS**  
MANY UNIQUE FEATURES ARE READILY AVAILABLE TO SUIT CUSTOMER REQUIREMENTS. CONSULT WITH AMPHENOL CANADA FOR DETAILS.

**NOTES:**

1. MATERIAL:  
ALL MATERIALS ARE RoHS COMPLIANT PER EU DIRECTIVE 2011/65/EU AND AMENDMENTS
  - SHELL - DIECAST ZINC, NICKEL PLATED
  - CONTACTS - PHOSPHOR BRONZE WITH 1.27µm [50µ"] GOLD OVER 1.27µm [50µ"] MINIMUM NICKEL ON THE MATING AREA AND MATTE TIN OVER NICKEL ON THE CONTACT TAILS.
  - INSERTS - ENGINEERING THERMOPLASTIC, UL94V-0 FLAMMABILITY RATING, REAR INSERTS: BLACK NYLON, FRONT INSERT: CLEAR POLYCARBONATE
  - PANEL GASKET - CONDUCTIVE SILICONE RUBBER, BLACK
  - LED'S - EPOXY LENS, STEEL TAILS WITH TIN PLATING
  - PCB - FR-4 FIBERGLASS, LEAD FREE
  - CABLE HEADER: THERMOPLASTIC HOUSING (UL94V-0, BLACK) WITH BRASS CONTACTS (PLATED GOLD OVER NICKEL), TYCO P/N 5499786-4 OR EQUIVALENT, HEADER MATES WITH TYCO RECEPTACLE 1658620-4 WITH STRAIN RELIEF 499252-2 OR EQUIVALENT
2. ENVIRONMENTAL PERFORMANCE PER IEC 60529 CODE IP67 FOR SEAL BETWEEN MATING AREA AND PCB SIDE OF CONNECTOR. GASKET PROVIDES SEAL TO INSIDE FACE OF PANEL.
3. CURRENT RATING: 1.5 AMPERES
4. CONTACT RESISTANCE: 100 MILLIOHMS MAXIMUM (SUBJECT TO VERIFICATION)
5. OPERATING TEMPERATURE: -40C TO +105C
6. LED CHARACTERISTICS: FORWARD DC CURRENT 25 mA MAX, FORWARD VOLTAGE 2.5V MAX @ 2 mA
7. AVAILABLE MATING AREA COVERS PROVIDE ADDED PROTECTION. CONSULT WITH AMPHENOL CANADA FOR DETAILS.
8. RECOMMENDED TORQUE FOR PANEL MOUNT SCREWS: 0.45 TO 0.65 Nm [4.0 TO 5.75 IN-LBS] FOR STEEL SCREWS WITH 3.00 [.118] THREAD ENGAGEMENT.
9. CUSTOMER TO VERIFY THAT ALL PROCESS CLEANERS ARE COMPATIBLE WITH POLYCARBONATE MATERIAL.



UNLESS SPECIFIED OTHERWISE	DRAWN	D.WENG	JAN09/13
PRIMARY UNITS MILLIMETERS	CHECKED		
SECONDARY UNITS INCHES	M.E. APP'D		
REFERENCE IN PARENTHESES	Q.A. APP'D		
GENERAL TOLERANCES	DWG APPR.	K.LAMBIE	JAN31/13
1 DECIMAL PLACE	ENG. REL. NO.	EAR 13977	
2 DECIMAL PLACES ±0.15	REF.		
3 DECIMAL PLACES	THIRD ANGLE PROJECTION		
ANGULAR DEGREES	DO NOT SCALE DRAWING		

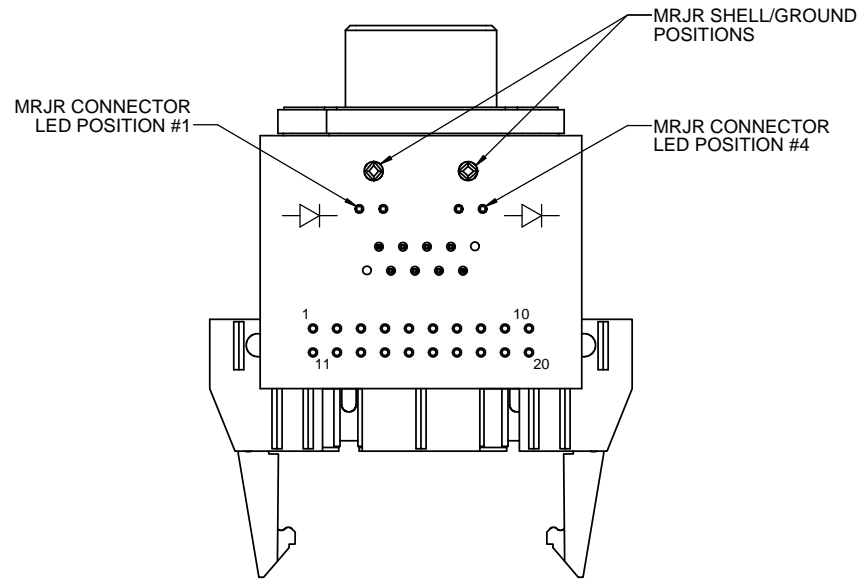
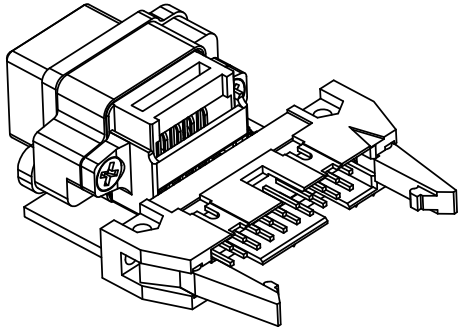
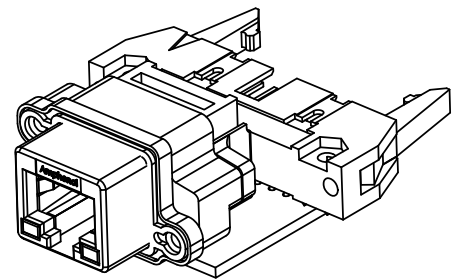
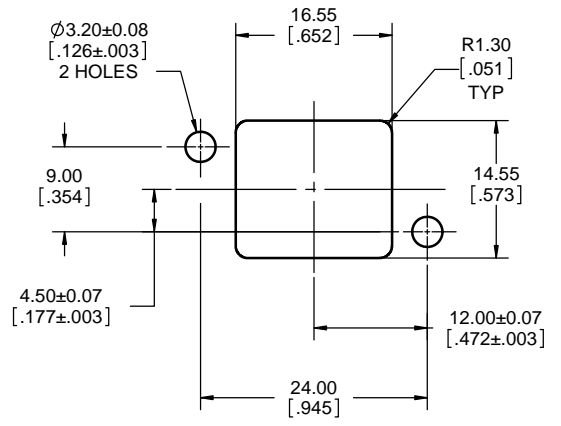
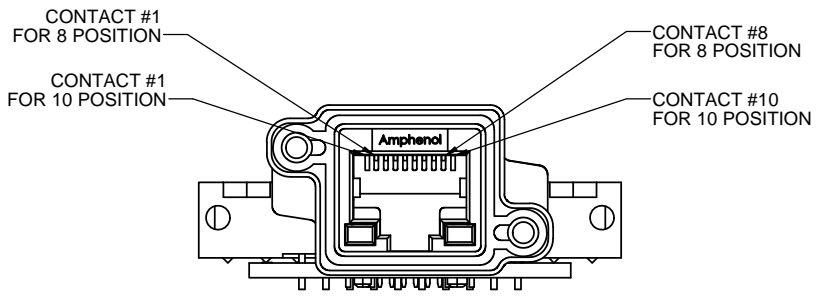
**Amphenol Canada Corp.**  
www.amphenolcanada.com

MRJR SERIES RUGGED MODULAR JACK, ON PCB WITH RIGHT ANGLE CABLE HEADER, 8 OR 10 POSITION, LED & THREAD OPTIONS, ROHS COMPLIANT

DWG. NO. **P-MRJR-55XX-X1** REV **A**

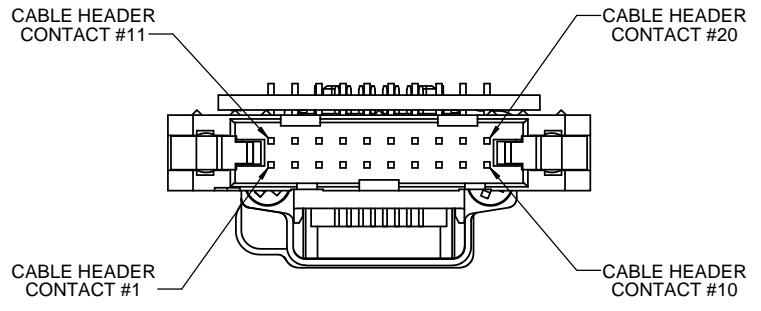
CODE ID NO. 03554 DWG SIZE: X SCALE: 5:2 SHEET 1 OF 2

REVISIONS			
REV	DESCRIPTION, ECN, EAR NO.	DATE	APP'D
A	PRODUCT DRAWING (EAR 13977)	JAN31/13	KL



**RECOMMENDED PANEL CUTOUT**  
OUTSIDE PANEL VIEW

MRJR TO HEADER CONNECTIONS CHART		
MRJR CONNECTOR STYLE		CABLE HEADER CONTACTS
8 POSITION	10 POSITION	
SHELL/GROUND	SHELL/GROUND	10
--	1	2
1	2	12
2	3	3
3	4	13
4	5	4
5	6	14
6	7	5
7	8	15
8	9	6
--	10	16
LED1	LED1	1
LED2	LED2	11
LED3	LED3	7
LED4	LED4	17



UNLESS SPECIFIED OTHERWISE	DRAWN	D.WENG	JAN09/13
PRIMARY UNITS MILLIMETERS	CHECKED		
SECONDARY UNITS INCHES	M.E. APP'D		
REFERENCE IN PARENTHESES	Q.A. APP'D		
GENERAL TOLERANCES	DWG APPR.	K.LAMBIE	JAN31/13
1 DECIMAL PLACE	ENG. REL. NO.	EAR 13977	
2 DECIMAL PLACES ±0.15	REF.		
3 DECIMAL PLACES	THIRD ANGLE PROJECTION		
ANGULAR DEGREES	DO NOT SCALE DRAWING		

**Amphenol Canada Corp.**  
www.amphenolcanada.com

**MRJR SERIES RUGGED MODULAR JACK, ON PCB WITH RIGHT ANGLE CABLE HEADER, 8 OR 10 POSITION, LED & THREAD OPTIONS, ROHS COMPLIANT**

DWG. NO. **P-MRJR-55XX-X1** REV **A**

CODE ID NO. 03554 DWG SIZE: X SCALE: 5:2 SHEET 2 OF 2